



SERIES PS MODEL PST Multi-Stage

MEGGA **Series PS** model PST Multi-stage is designed for dependable performance and rugged continuous duty service. When application requirements demand superior materials and performance in a compact multi-stage design, choose the MEGGA **Series PS** PST Multi-stage.



FEATURES:

Bulge formed, not stamped, from quality 304 stainless steel results in a strong fabrication and excellent resistance to corrosion.

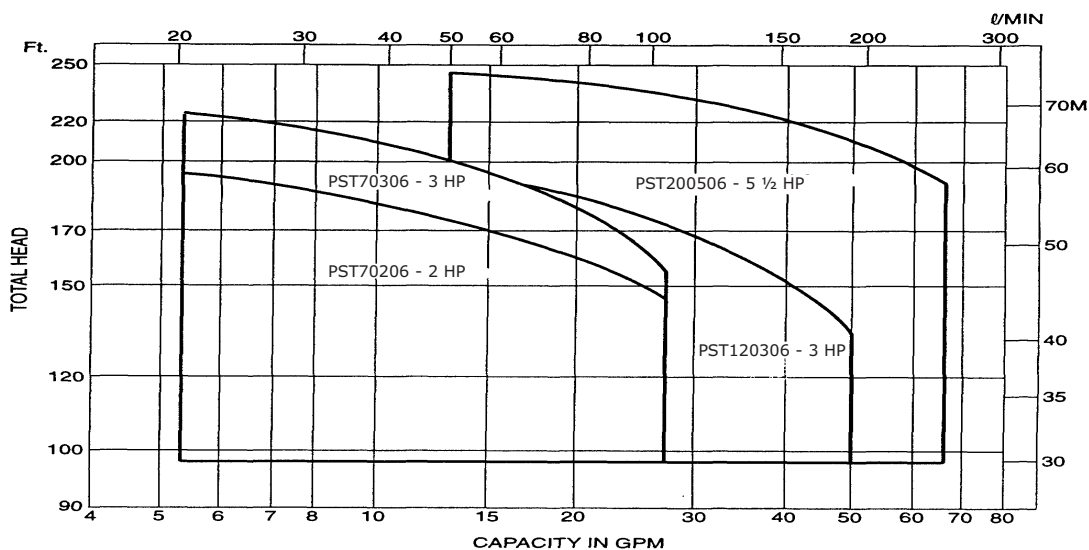
Compact close-coupled design saves space and simplifies installation.

Back pull-out design for easier servicing.

Top centerline discharge helps deal with pipe loading and allows for self-venting of air.

High operating efficiency results in lower power consumption and smooth operation.

Multi-stage design for high pressure, low flow applications.



Distributed by:



SERIES PS

Specifications

MODEL PST Multi-stage

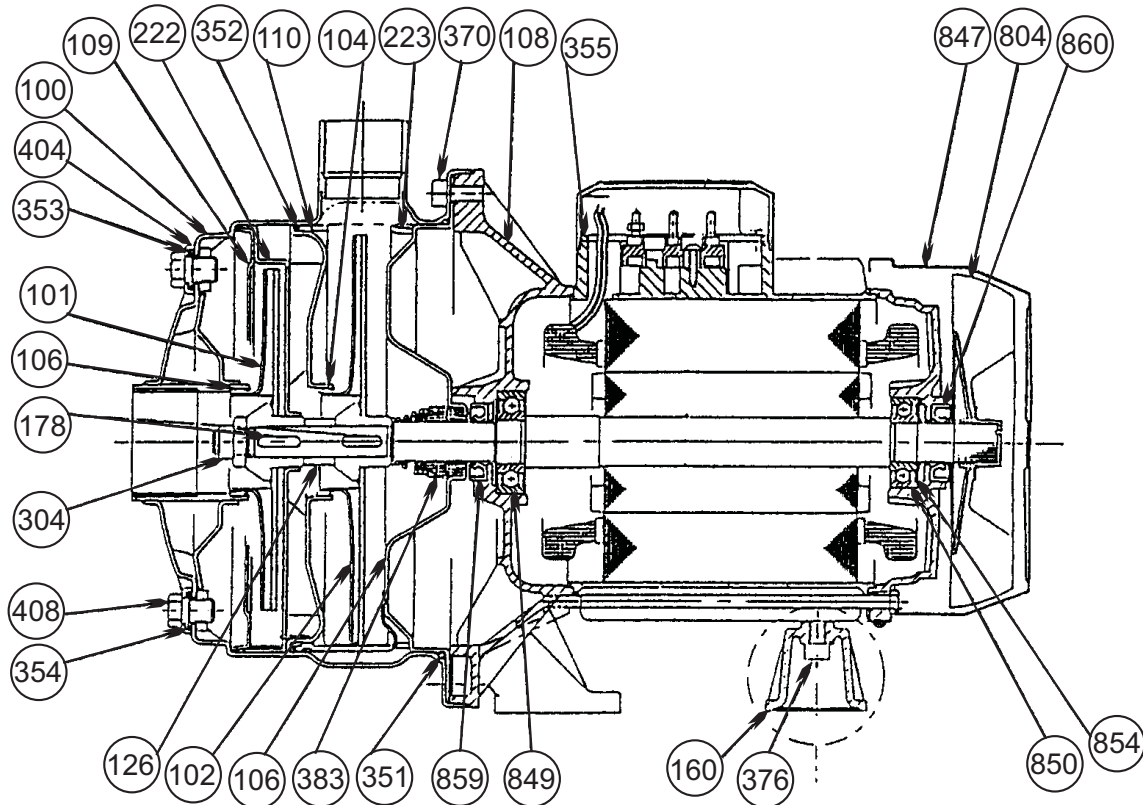
	Standard	Optional
<u>Size</u>		
Suction	PST70 1 1/4" NPT thread PST120 1 1/4" NPT thread PST200 1 1/2" NPT thread	
Discharge	1" NPT thread	
<u>Range of H.P.</u>	2HP to 5 1/2HP	
<u>Range of Performance</u>		
Capacity	5.5 to 66 GPM at 3600RPM	
Head	98 to 245 feet at 3600RPM	
<u>Liquid Handled</u>		
Type of Liquid	Clean Water	
Temperature	Max. 140°F (60°C)	
Working Pressure	Max. 125PSI (9 Bar)	
<u>Materials</u>		
Casing	304 Stainless Steel	
Impeller (Closed Type)	304 Stainless Steel	
Shaft	304 Stainless Steel	
Bracket	Aluminum or Cast Iron	
Shaft Seal	Mechanical Seal Carbon/Ceramic	
Bearing	Ball Bearing	
<u>Direction of Rotation</u>	Clockwise when viewed from motor end	
<u>Motor</u>		
Type	TEFC/IP55	
Speed	60Hz 3450RPM (2 poles)	
Three Phase	208-230V, 460V and 575 V	
Motor Casing	Aluminum	



SERIES PS

Cross Section

MODEL PST Multi-stage



ITEM	QTY REQ'D	DESCRIPTION	MATERIAL	ITEM	QTY REQ'D	DESCRIPTION	MATERIAL
100	1	Casing	304 Stainless steel	352	1	O-ring	Viton
101	1	Impeller	304 Stainless steel	353	1	O-ring	Viton
102	1	Impeller	304 Stainless steel	354	1	O-ring	Viton
103	1	Casing ring	Viton/304 ss	355	1	Gasket	NBR
104	1	Casing ring	Viton/304 ss	370	8	Bolt	304 Stainless steel
106	1	Casing cover	304 Stainless steel	376	1	Bolt	304 Stainless steel
108	1	Adapter	Aluminum *	383	1	Mechanical seal	Carbon/Ceramic/Viton
109	1	Suction cover	304 Stainless steel	404	2	Washer	304 Stainless steel
110	1	Suction cover	304 Stainless steel	408	2	Casing plug	304 Stainless steel
126	1	Sleeve	304 Stainless steel	804	1	Fan	Plastic
160	1	Foot	Plastic	847	1	Fan cover	Steel
178	2	Key	304 Stainless steel	849	1	Bearing	Steel
222	1	Guide vane	304 Stainless steel	850	1	Bearing	Steel
223	1	Guide vane	304 Stainless steel	854	1	Washer	Steel
304	1	Impeller nut	304 Stainless steel	859	1	Lip seal	NBR
351	1	Casing o-ring	Viton	860	1	Lip seal	NBR

* Cast Iron on 3HP and above



SERIES PS Specifications

MODEL PST Multi-stage

