

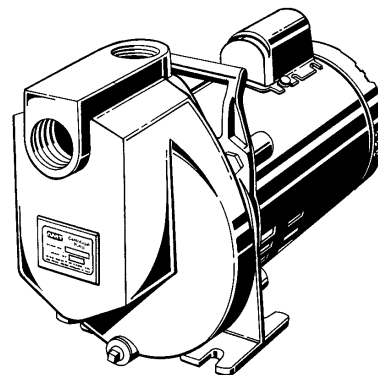
1" Bronze Self-Priming Centrifugal Pumps



Pumps for Industry

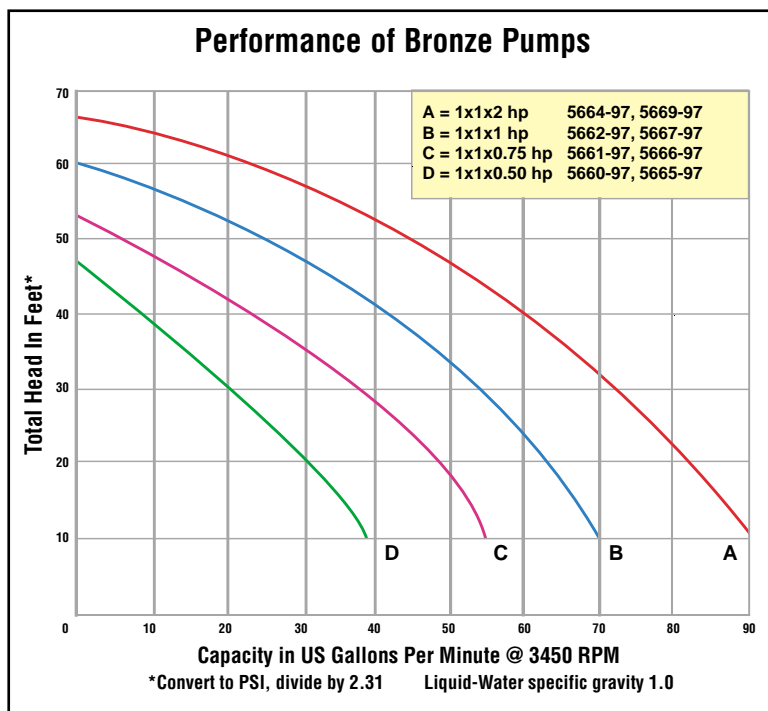
SERIES PG

- **Cast Bronze Construction**
- **Marine Duty Design**
- **Buna-N Mechanical Seal and O-ring**
- **1" NPT Suction and Discharge Ports**
- **Maximum Working Pressure 75 PSI**
- **Maximum Temperature 180° F**
- **Maximum Flow 90 GPM**
- **Maximum Head 68 ft.**
- **Maximum Suction Lift is 6 ft.**
- **Self-Cleaning, Semi-Open Impellers**
- **1/2 to 2 HP Open Drip Proof (ODP) or Totally Enclosed Fan Cooled (TEFC) Single Phase Motors**

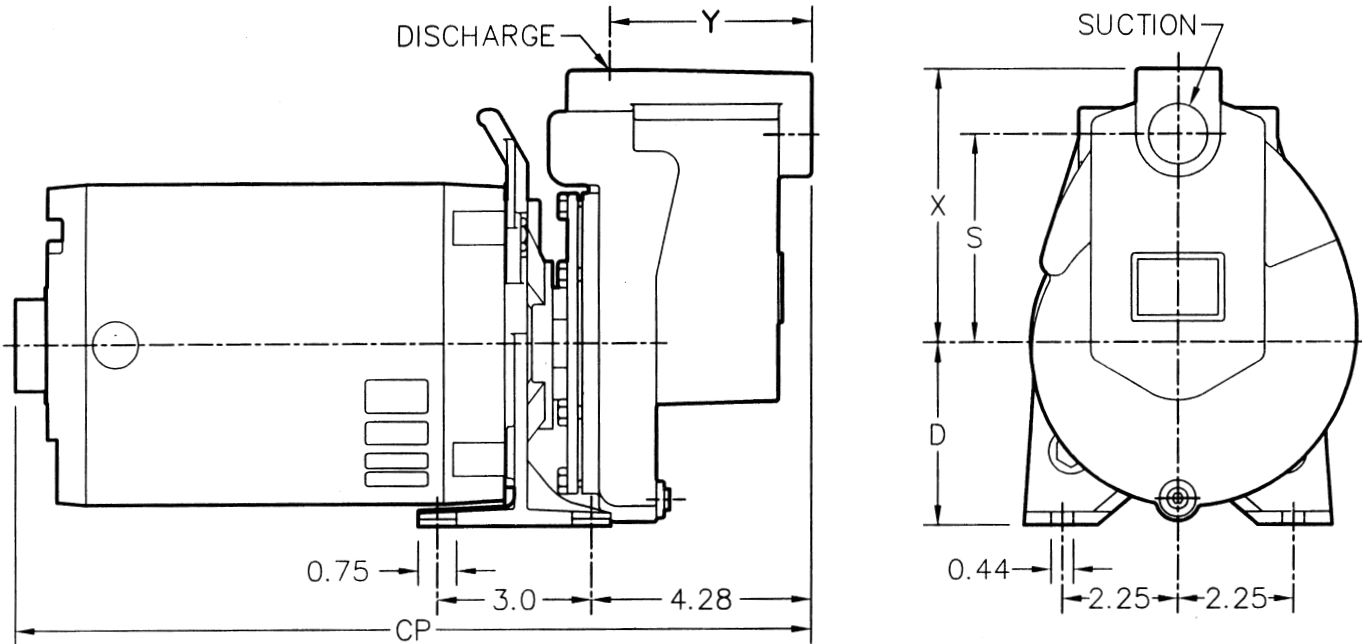


MEGGA Bronze Self-Priming centrifugals are designed for a wide range of dewatering/recirculating applications in marine and industrial environments. Typical uses include livewell recirculation, marine air conditioning, and salt water aquaculture. Self-cleaning, semi-open impellers handle solids to 1/8" diameter. These pumps are fitted with Buna-N mechanical seals and O-rings. Self-priming to 6 feet.

MEGGA Bronze, Self-Priming centrifugals are reliable, cost effective, and low maintenance. Many are readily available for quick delivery. For use with non-flammable liquids compatible with pump component materials.



SERIES PG 1" Bronze Self-Priming Centrifugal Pumps



Pump Dimensional & Specification Data

Model	HP	PH	ENC	Voltage @60HZ	SUC*	DIS*	CP**	D	L	S	X	Y	Wt.
5660-97	1/2	1	ODP	115/230	1"	1"	14.11	3.5	4.28	4.0	5.25	3.94	38 Lbs.
5661-97	3/4	1	ODP	115/230	1"	1"	14.61	3.5	4.28	4.0	5.25	3.94	39 Lbs.
5662-97	1	1	ODP	115/230	1"	1"	15.11	3.5	4.28	4.0	5.25	3.94	42 Lbs.
5664-97	2	1	ODP	115/230	1"	1"	16.09	3.5	4.28	4.0	5.25	3.94	60 Lbs.
5665-97	1/2	1	TEFC	115/230	1"	1"	15.53	3.5	4.28	4.0	5.25	3.94	41 Lbs.
5666-97	3/4	1	TEFC	115/230	1"	1"	16.03	3.5	4.28	4.0	5.25	3.94	43 Lbs.
5667-97	1	1	TEFC	115/230	1"	1"	16.41	3.5	4.28	4.0	5.25	3.94	46 Lbs.
5669-97	2	1	TEFC	115/230	1"	1"	17.66	3.5	4.28	4.0	5.25	3.94	65 Lbs.

(*) Standard NPT (female) pipe thread.

(**) This dimension may vary due to motor manufacturer's specifications.

NOTE: Dimensions have a tolerance of $\pm 1/8"$.

NOTE: Electric supply for **ALL** motors must be within $\pm 10\%$ of nameplate voltage rating (e.g. $230V \pm 10\% = 207$ to 253).

Standard Features

- Cast Bronze Construction
- Buna-N Mechanical Seal and O-ring
- 1" NPT Suction and Discharge Parts
- Maximum Working Pressure 75 PSI
- Maximum Temperature 180° F
- Maximum Flow 90 GPM
- Maximum Head 68 ft.
- Maximum Suction Lift is 6 ft.
- 1/2 to 2 HP Open Drip Proof (ODP) or Totally Enclosed Fan Cooled (TEFC) Single Phase Motors

