



SERIES PG

INDUSTRIAL DUTY Self-Priming Solids Handling Pedestal Pumps

Product Features

Cast iron, aluminum or thermoplastic construction.

Buna mechanical seal and O-ring with other options available.

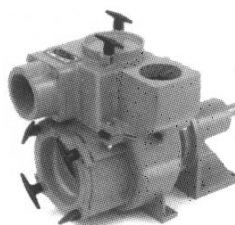
1-1/2" to 3" FNPT ports.

Self-priming to 20 ft.

Handles solids up to 1-1/2" diameter.

75 psi maximum working pressure.

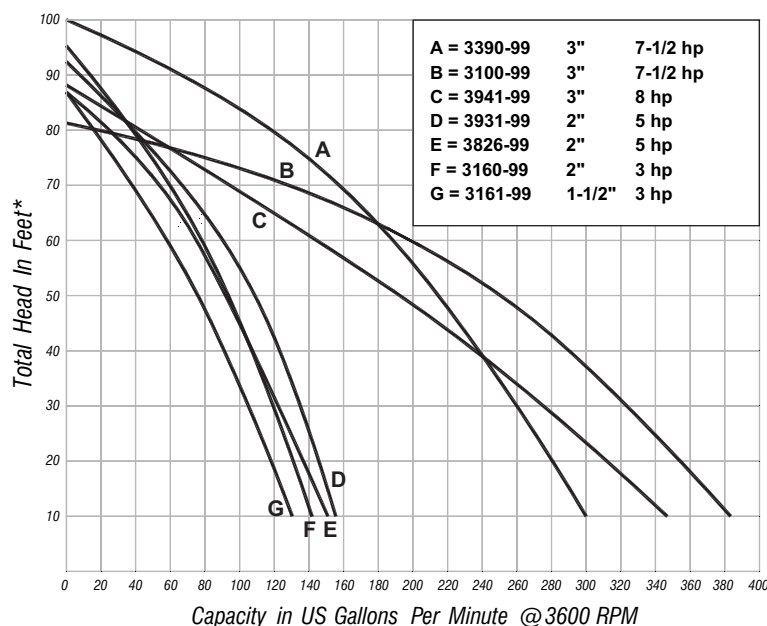
180 deg. F maximum temperature.



MEGGA Self-priming solids handling pedestal mounted pumps are designed to be direct driven at motor speed or belt driven. Units are available in Aluminum, iron or rugged thermoplastic construction.

These pumps are capable of handling solids from 3/8" to 1-1/2" diameter and come fitted with heavy duty grease lubed bearing housings. Units are capable of self-priming to 20 ft and come with 1-1/2", 2" or 3" FNPT suction and discharge ports.

MEGGA Self-priming solids handling pedestal mounted pumps are your reliable, cost effective and low maintenance solution. For use with non-flammable fluids that are compatible with component materials.



Self-Priming Solids Handling Pedestal Pumps

1-1/2" & 2" Solids Handling



(3161-99 Shown)

Models 3160-99, 3161-99 & 3931-99

- Cast Iron Construction
- Buna-N Mechanical Seal
- 1-1/2" & 2" NPT Suction & Discharge Ports Available
- Maximum Working Pressure 75 PSI
- Maximum Temperature 180° F
- Self-priming to 20 ft.

- 3/8" Diameter Solids Handling Capability on 3160-99 & 3161-99
- 1" Diameter Solids Handling Capability on 3931-99
- Heavy Duty Cast Iron Bearing Housing Containing (2) Precision Sealed Ball Bearings
- 3/4" Diameter CNC Machined Shaft
- 1-3/8" x 3/16" x 3/32" Keyway

2" Dewatering



Model 3826-99

- Thermoplastic Construction
- Buna-N Mechanical Seal
- 2" NPT Suction & Discharge Ports
- Maximum Working Pressure 45 PSI
- Maximum Temperature 130° F
- Self-priming to 20 ft.

- 2" Dewatering Construction
- 1/4" Diameter Solids Handling Capability
- Heavy Duty Cast Iron Bearing Housing Containing (2) Precision Sealed Ball Bearings
- 3/4" Diameter CNC Machined Shaft
- 1-3/8" x 3/16" x 3/32" Keyway
- 1/4" Diameter Solids Handling Capability

3" Solids Handling

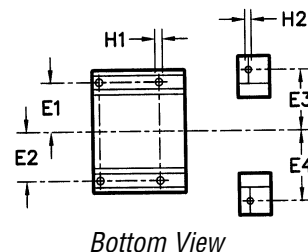
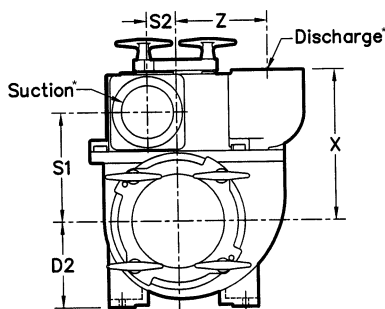
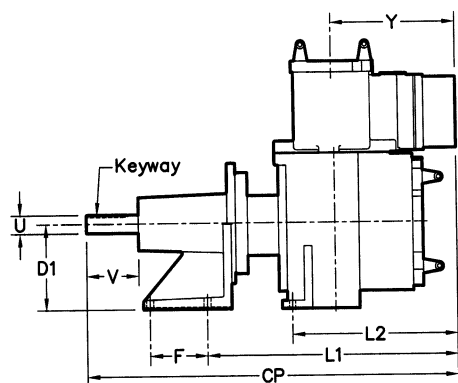


(3100-99 Shown)

Model 3100-99, 3390-99 & 3941-99

- Cast Aluminum Construction with Cast Iron Wear Parts
- Buna-N Mechanical Seal
- 3" NPT Suction & Discharge Ports Available
- Maximum Working Pressure 75 PSI
- Maximum Temperature 180° F

- Self-priming to 20 ft.
- 3/4" Diameter Solids Handling Capability on 3390-99
- 1-1/2" Diameter Solids Handling Capability on 3100-99 & 3941-99
- Heavy Duty Cast Iron Bearing Housing Containing (3) Precision Sealed Ball Bearings
- 1-1/8" Diameter CNC Machined Shaft
- 2-1/4" x 1/4" x 1/8" Keyway



Model 3100-99 shown for Dimensional location only

| Model No. | SUC* | DIS* | CP | D1 | D2 | E1 | E2 | E3 | E4 | F | H1 | H2 | L1 | L2 | S1 | S2 | U | V | X | Y | Z | Keyway | HP Required @3600 RPM | Ship Wt. |
|-----------|--------|--------|------|-----|-----|-----|-----|-----|-----|-----|-----|-----|------|------|-----|-----|--------|-----|-----|-----|-----|----------------|-----------------------|----------|
| 3160-99 | 2" | 2" | 15.1 | 4.2 | 4.2 | 1.9 | 1.9 | 2.6 | 3.8 | 2.5 | 0.4 | 0.4 | 9.8 | 4.9 | 2.1 | - | 3/4" | 2.1 | 4.7 | 3.1 | - | 3/16" x 1-3/8" | 3 | 41 lbs. |
| 3161-99 | 1-1/2" | 1-1/2" | 15.1 | 4.2 | 4.2 | 1.9 | 1.9 | 2.6 | 3.8 | 2.5 | 0.4 | 0.4 | 9.8 | 4.9 | 2.1 | - | 3/4" | 2.1 | 4.7 | 3.1 | - | 3/16" x 1-3/8" | 3 | 41 lbs. |
| 3390-99 | 3" | 3" | 19.9 | 5.3 | 5.3 | 2.9 | 2.9 | 3.8 | 2.6 | 3.5 | 0.4 | 0.4 | 12.5 | 4.1 | 4.0 | - | 1-1/8" | 3.2 | 6.7 | 4.7 | - | 1/4" x 1-1/4" | 7-1/2 | 54 lbs. |
| 3826-99 | 2" | 2" | 15.0 | 4.2 | 4.2 | 1.9 | 1.9 | 3.6 | 3.6 | 2.5 | 0.4 | 0.4 | 9.7 | 5.3 | 1.0 | - | 3/4" | 2.1 | 5.8 | 2.8 | - | 3/16" x 1-3/8" | 5 | 20 lbs. |
| 3100-99 | 3" | 3" | 23.1 | 5.2 | 5.2 | 2.9 | 2.9 | 3.5 | 4.1 | 3.5 | 0.4 | 0.4 | 15.6 | 10.3 | 6.7 | 1.8 | 1-1/8" | 3.2 | 9.2 | 7.7 | 5.7 | 1/4" x 1-1/4" | 7-1/2 | 91 lbs. |
| 3931-99 | 2" | 2" | 15.9 | 4.2 | 5.2 | 1.9 | 1.9 | - | - | 2.5 | 0.4 | - | 10.6 | 10.6 | 2.1 | - | 3/4" | 1.1 | 4.7 | 2.8 | - | 3/16" x 1-7/8" | 5 | 59 lbs. |
| 3941-99 | 3" | 3" | 22.0 | 5.2 | 6.4 | 2.9 | 2.9 | - | - | 3.5 | 0.4 | - | 14.5 | - | 3.5 | - | 1-1/8" | 3.2 | 6.5 | 5.0 | - | 1/4" x 1-1/4" | 7-1/2 | 82 lbs. |

(*) Standard NPT (female) pipe thread.

NOTE: Dimensions have a tolerance of ± 1/8".

