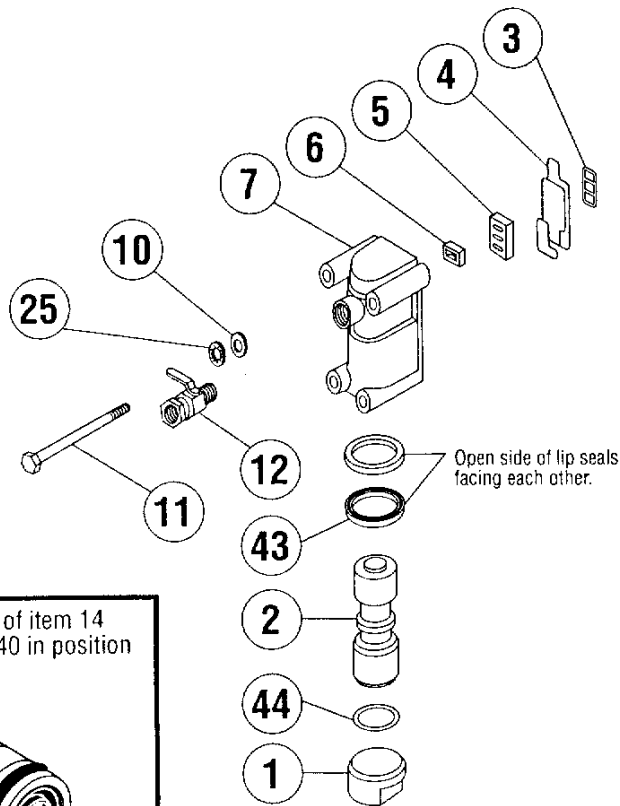
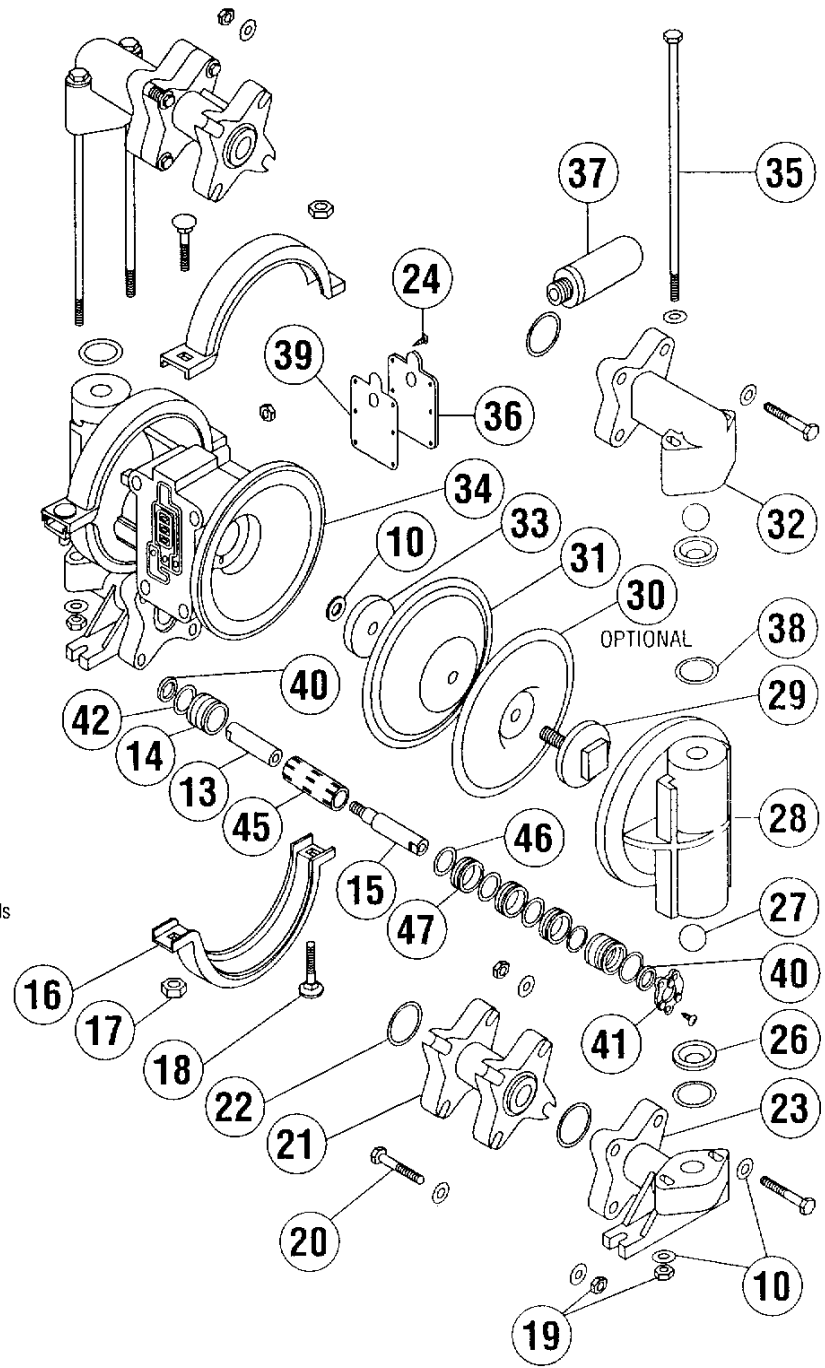
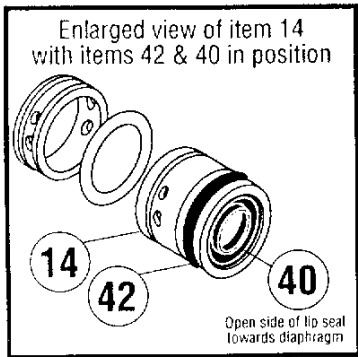




SERIES PA
Cross Section
1/2" PLASTIC MODELS
(Clamped Chambers)



Open side of lip seals facing each other.





**SERIES PA
Parts List**

MODEL PAP05-KGTNN

ITEM	QTY REQ'D	DESCRIPTION	MATERIAL	PART NO.	WETTED
1	1	Air valve end plug	Polypropylene	A-1170360	No
2	1	Air valve spool	Acetal	A-1040731	No
3	1	Gasket	Buna	A-1210311	No
4	1	Gasket	Buna	A-1210911	No
5	1	Valve plate	Special	A-1040300	No
6	1	Shuttle valve	Special	A-1040900	No
7	1	Air valve body	Polypropylene	A-1160860	No
10	44	Flat washer	Stainless steel	A-1230026	No
11	4	Capscrew	Stainless steel	A-1251326	No
12	1	Air flow control valve	Brass	A-1340030	No
13	1	Diaphragm rod	Stainless steel	*	No
14	2	End spacer	Polypropylene	A-1020440	No
15	1	Diaphragm rod	Stainless steel	*	No
16	2	Clamp set (2 halves)	Stainless steel	A-1290026	No
17	4	Hex nut	Stainless steel	A-1260126	No
18	4	Carriage bolt	Stainless steel	A-1250926	No
19	24	Hex nut	Stainless steel	A-1260026	No
20	16	Capscrew	Stainless steel	A-1250026	No
21	2	Manifold	PVDF	A-1050056	Yes
22	4	O-ring **	Teflon	A-1190517	Yes
23	2	Suction elbow	PVDF	A-1080056	Yes
24	12	Screw	Stainless steel	A-1251026	No
25	4	Lock washer	Stainless steel	A-1235026	No
26	4	Valve seat **	PVDF	A-1090056	Yes
27	4	Ball **	Teflon	A-1100045	Yes
28	2	Outer chamber	PVDF	A-1070056	Yes
29	2	Outer diaphragm plate	PVDF	A-1120056	Yes
30	2	Overlay diaphragm **	Teflon	A-1140059	Yes
31	2	Diaphragm **	Santoprene	A-1060023	Yes
32	2	Discharge elbow	PVDF	A-1130056	Yes
33	2	Inner diaphragm plate	PVDF	A-1110056	No
34	1	Intermediate	Polypropylene	A-1151660	No
35	4	Capscrew	Stainless steel	A-1250226	No
36	1	Muffler plate	Polypropylene	A-1310044	No
37	1	Muffler	Special	A-1300000	No
38	4	O-ring **	Teflon	A-1190417	Yes
39	1	Gasket	Fiber	A-1210510	No
40	2	Lip seal	Buna	A-1200011	No
41	2	Retaining plate	Polypropylene	A-1270840	No
42	2	O-ring	Buna	A-1192311	No
43	2	Lip seal	Buna	A-1200311	No
44	1	O-ring	Buna	A-1191311	No
45	1	Pilot sleeve	Acetal	A-1010531	No
46	4	O-ring	Urethane	A-1192016	No
47	3	Inner spacer	Polypropylene	A-1020340	No
*	1	Diaphragm rod assy (items 13, 15)	Stainless steel	A-3300000	No
N/S	1	Air valve assy (items 1-7, 43, 44)	Polypropylene	A-4000060	No
N/S	1	Pilot slv assy (items 14, 40, 42, 45-47)	Various	A-4100000	No
N/S	1	Wet end repair kit	Various	A-KN5KIT	
		** Items included in wet end repair kit			