

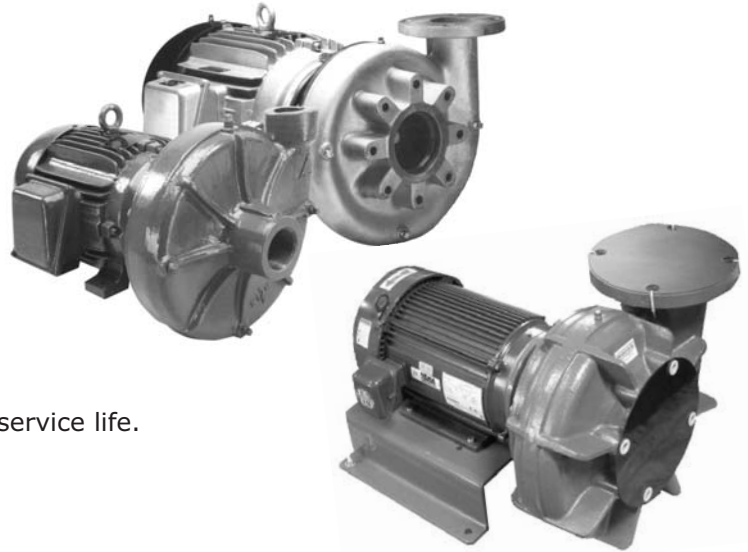


Pumps for Industry

# SERIES PC

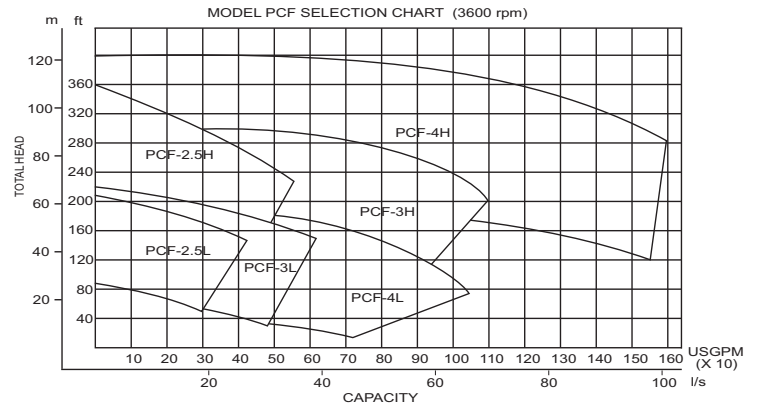
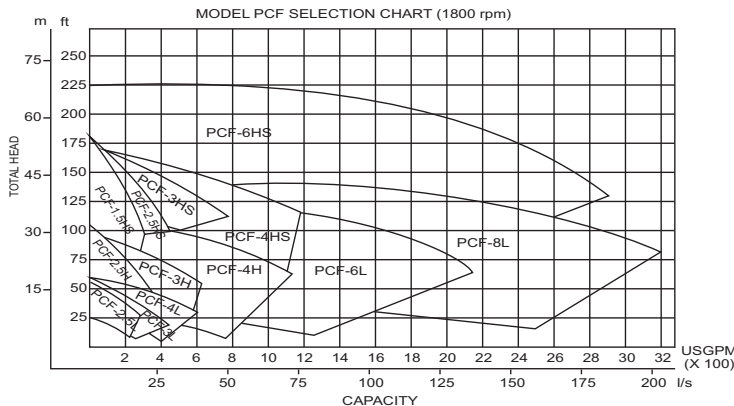
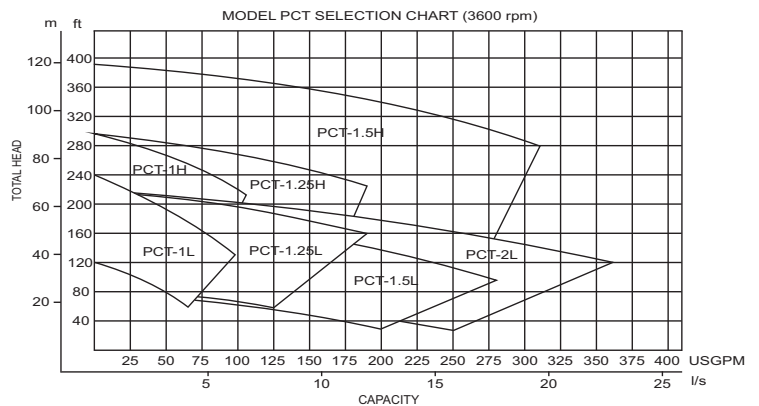
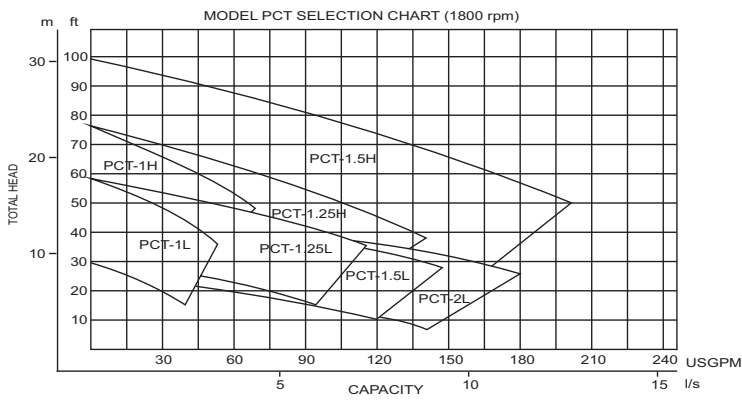
## Model PCT and PCF

**MEGGA Series PC** models PCT and PCF are just the ticket when you need a basic, general service cast iron pump. When application requirements demand economy, quality and performance in a compact standard centrifugal design, choose the **MEGGA Series PC** models PCT or PCF.



### FEATURES:

- Rugged cast iron construction for long dependable service life.
- Compact close-coupled configuration.
- Back pull-out design for easier servicing.
- Tangential discharge can be rotated to suit installation.
- High operating efficiency results in lower power consumption and smooth operation.
- Industry standard motors and mechanical seals provide maximum product versatility.



Distributed by:

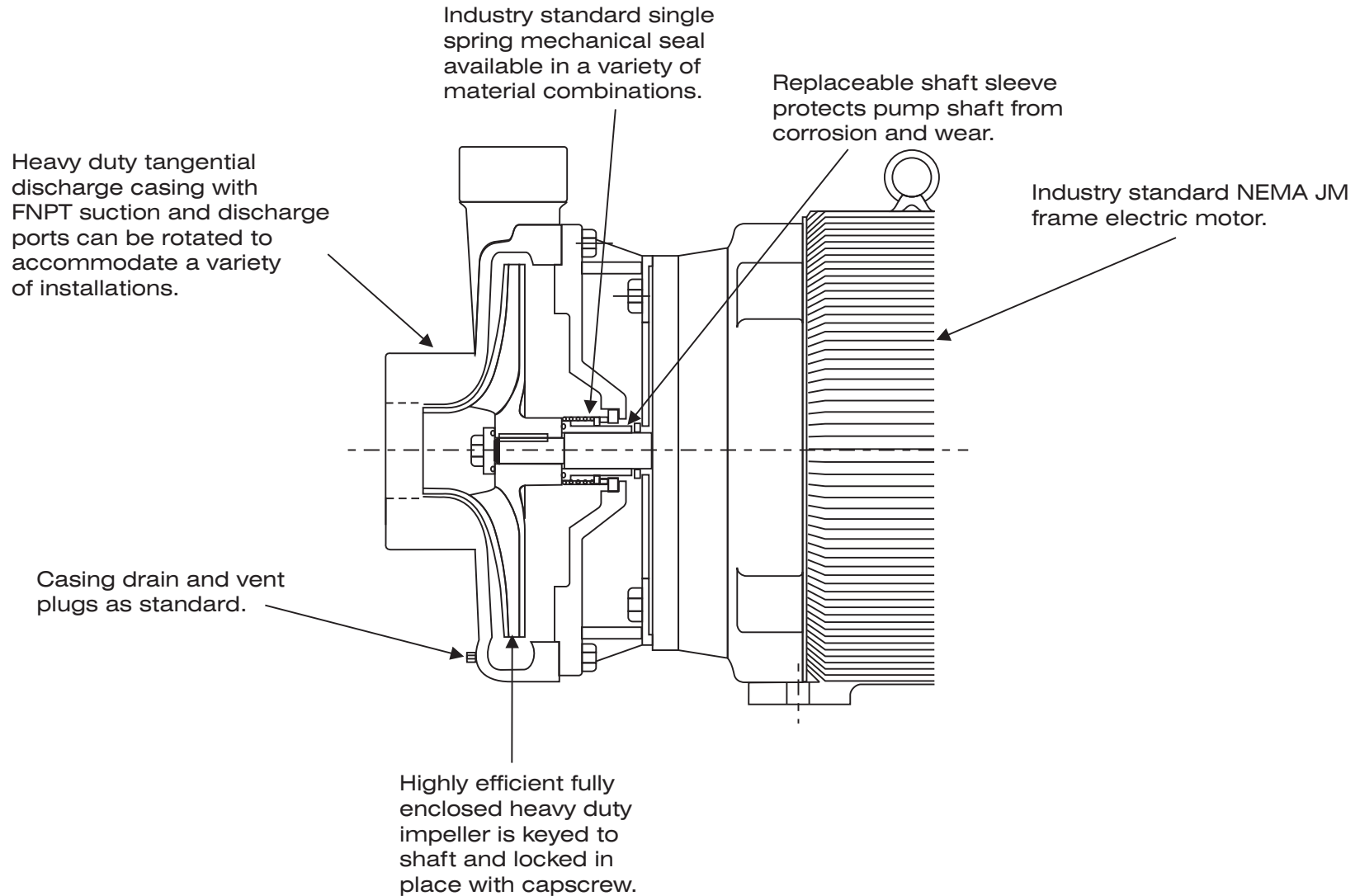


*Pumps for Industry*

## SERIES PC

MODEL PCT close-coupled

## FEATURES



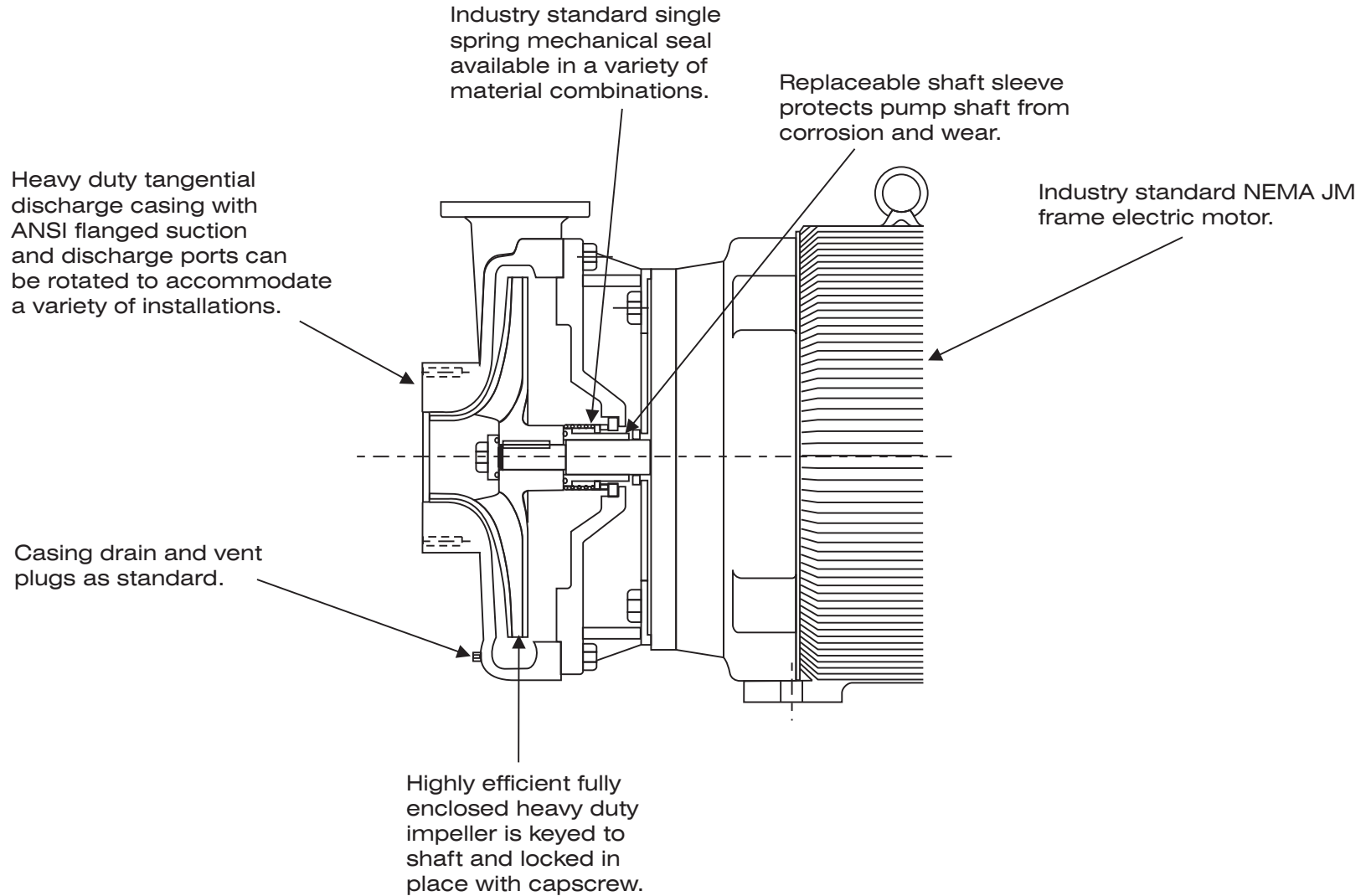


*Pumps for Industry*

## SERIES PC

MODEL PCF close-coupled

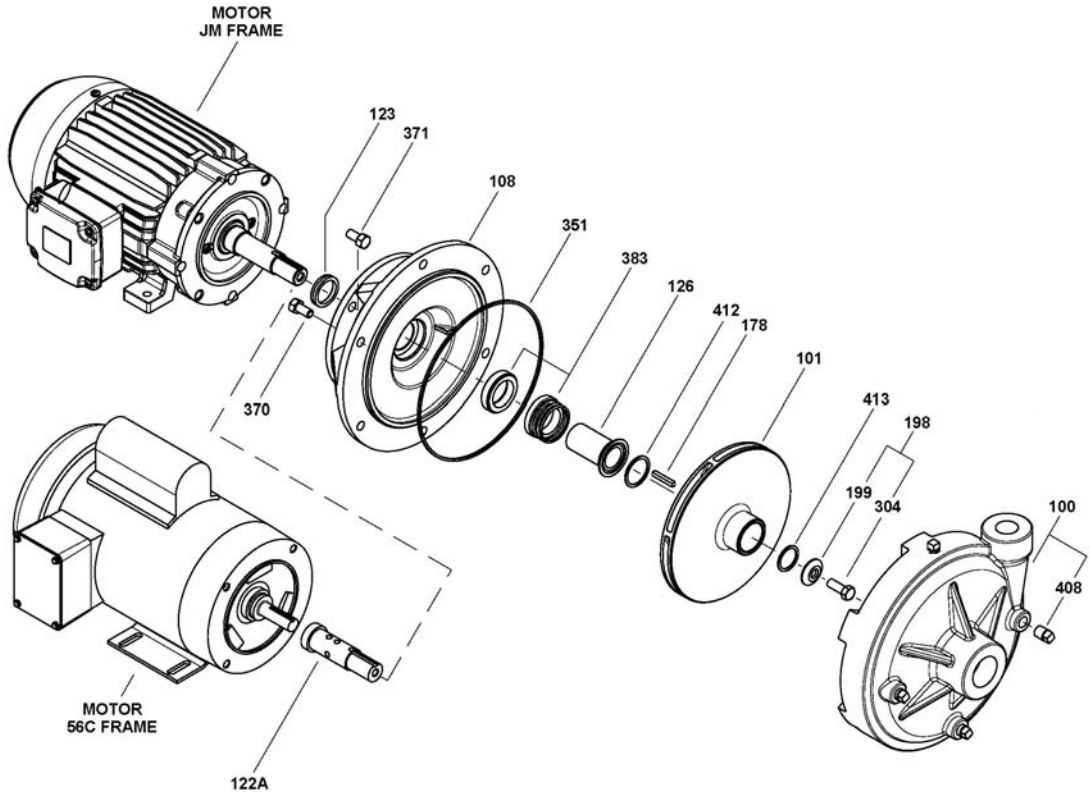
## FEATURES





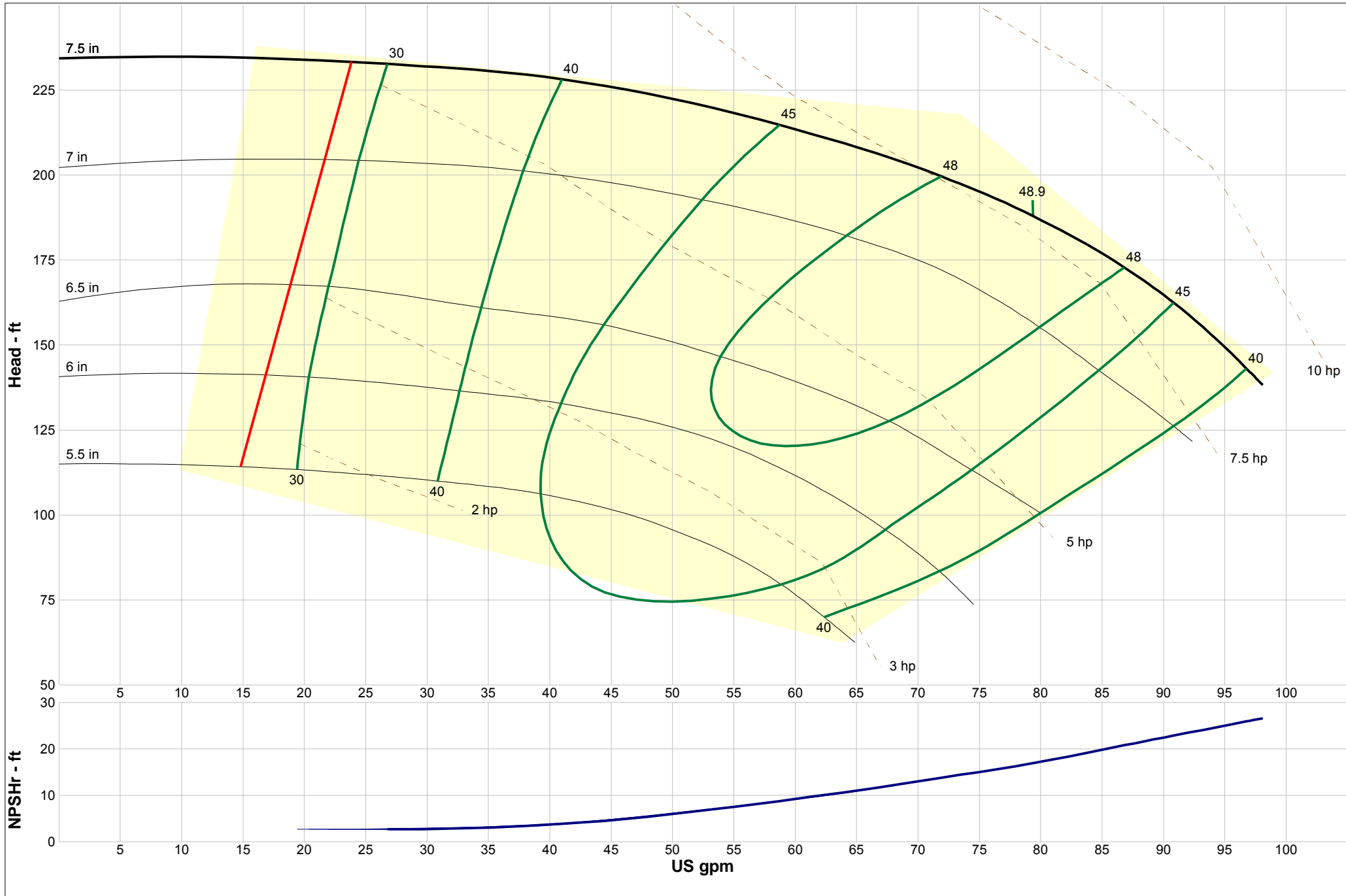
*Pumps for Industry*

# SERIES PC Parts List



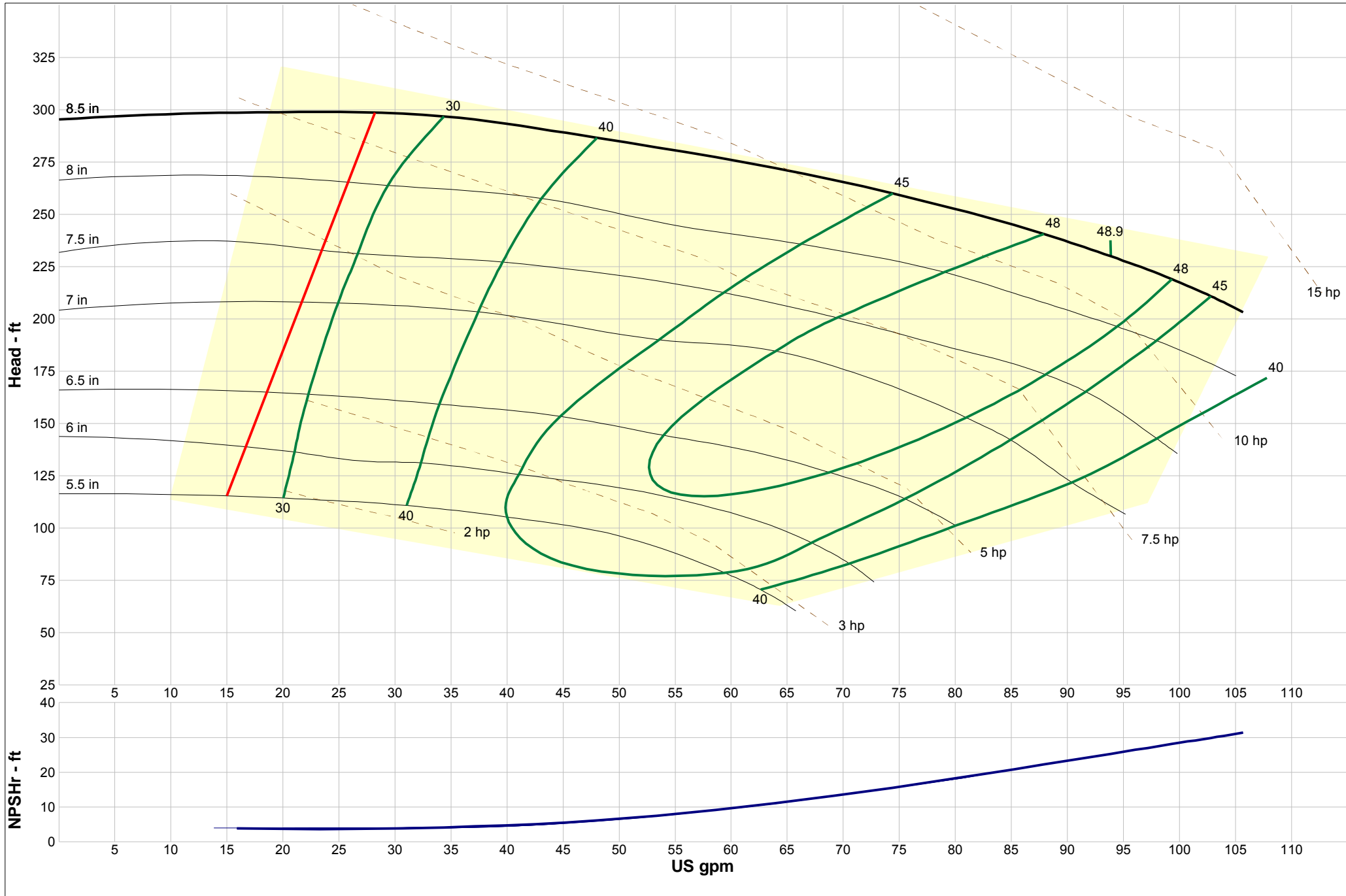
ITEM	QTY REQ'D	DESCRIPTION	MATERIAL
100	1	Casing	Cast Iron
101	1	Impeller	Cast Iron
108	1	Adapter	Cast Iron
122A	1	Stub Shaft	Stainless
123	1	Slinger	Rubber
126	1	Shaft sleeve	Stainless
178	1	Impeller key	Steel
198	1	Impeller bolt assy Includes 199 & 304	Stainless
351	1	Casing gasket	Synthetic fibre
370	*	Casing bolt	Steel
371	4	Motor bolt	Steel
383	1	Mechanical seal	Various
412	1	Sleeve gasket	Teflon
413	1	Impeller gasket	Teflon

\* Dependent on pump model



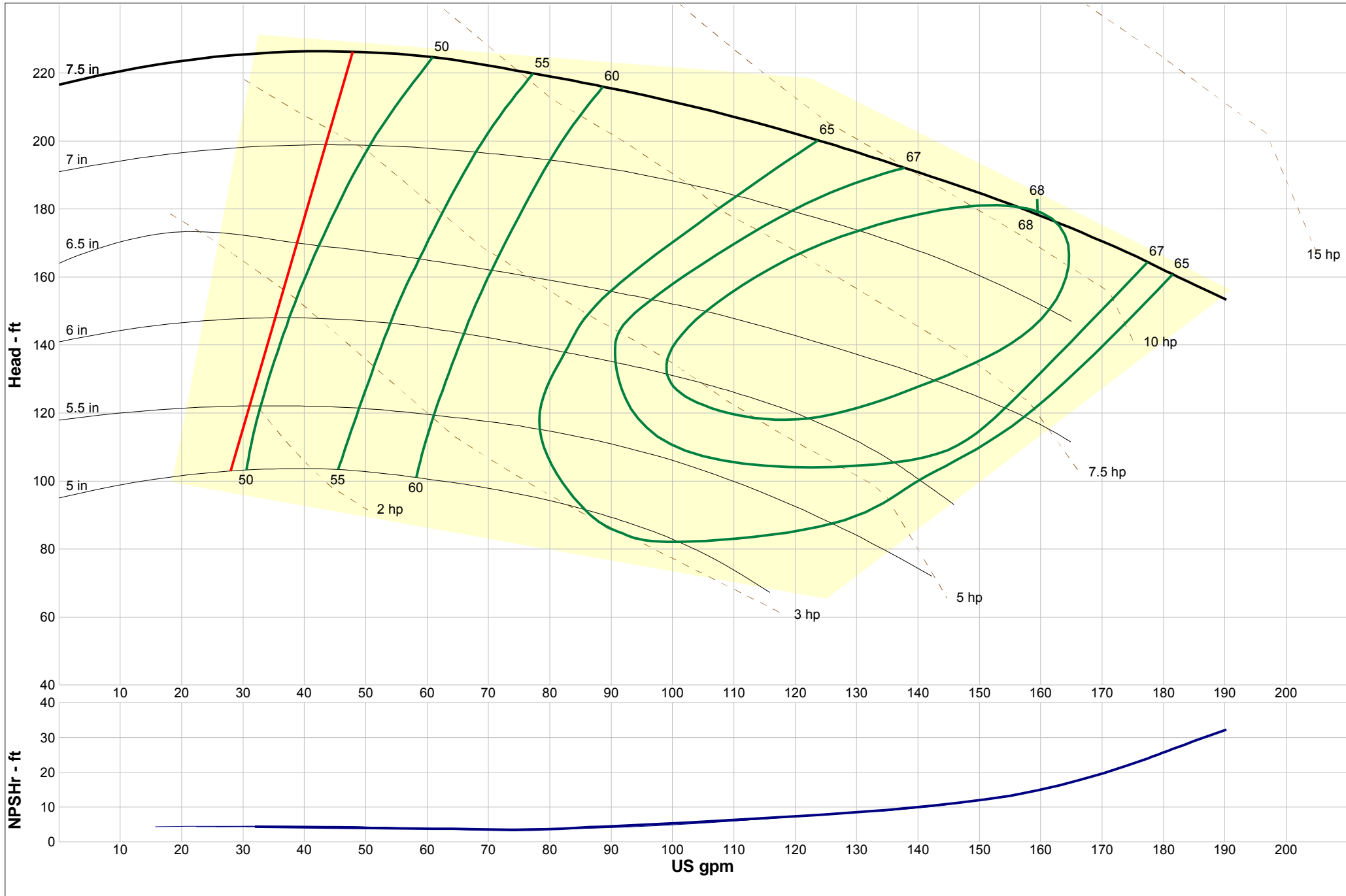
**Model: PCT1L**  
**Speed: 3450 rpm**  
**Curve: 1L2CI**





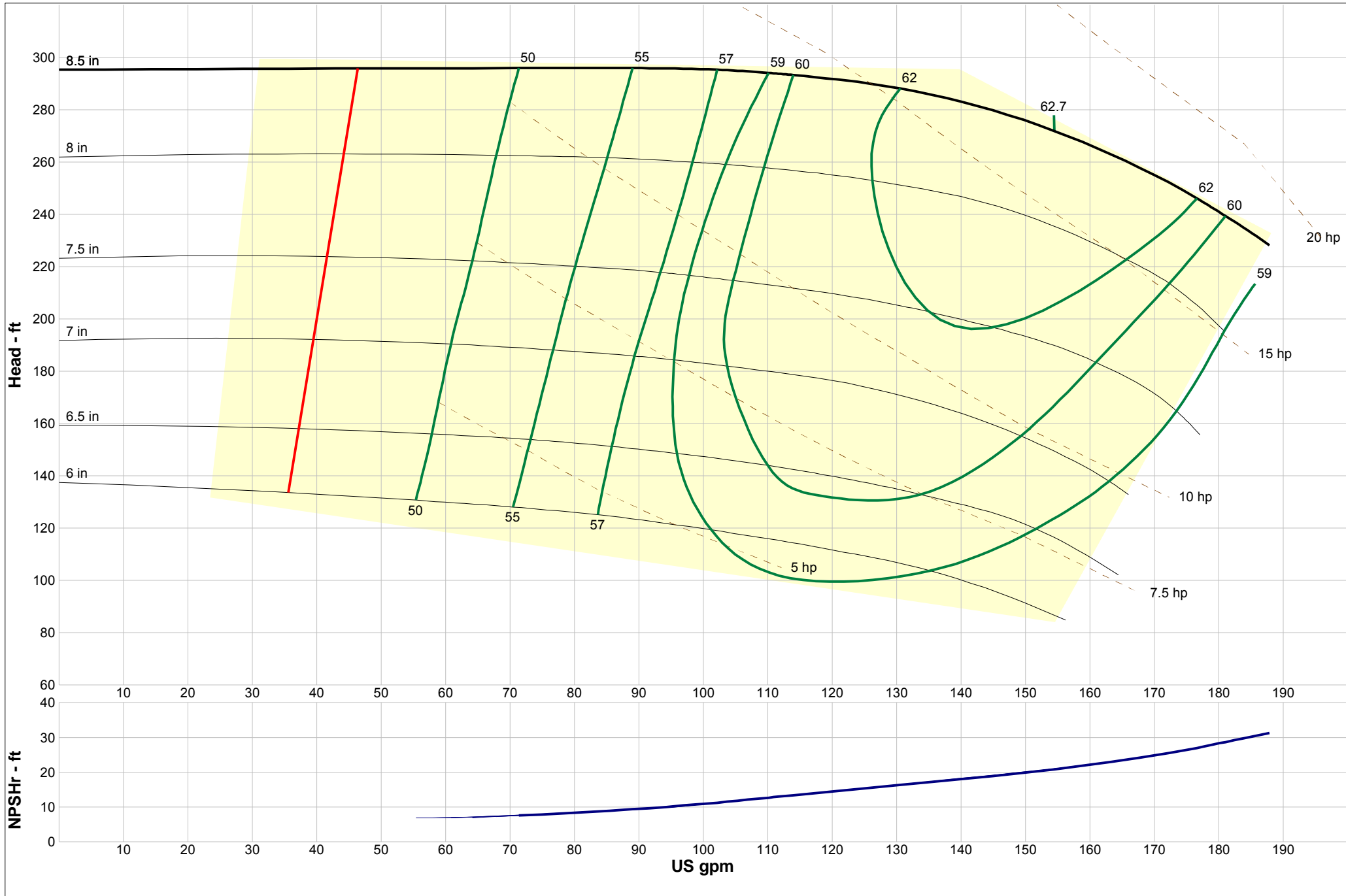
**Model: PCT1H**  
**Speed: 3450 rpm**  
**Curve: 1H2CI**





**Model: PCT1-1/4L**  
**Speed: 3450 rpm**  
**Curve: 1-1/4L2CI**

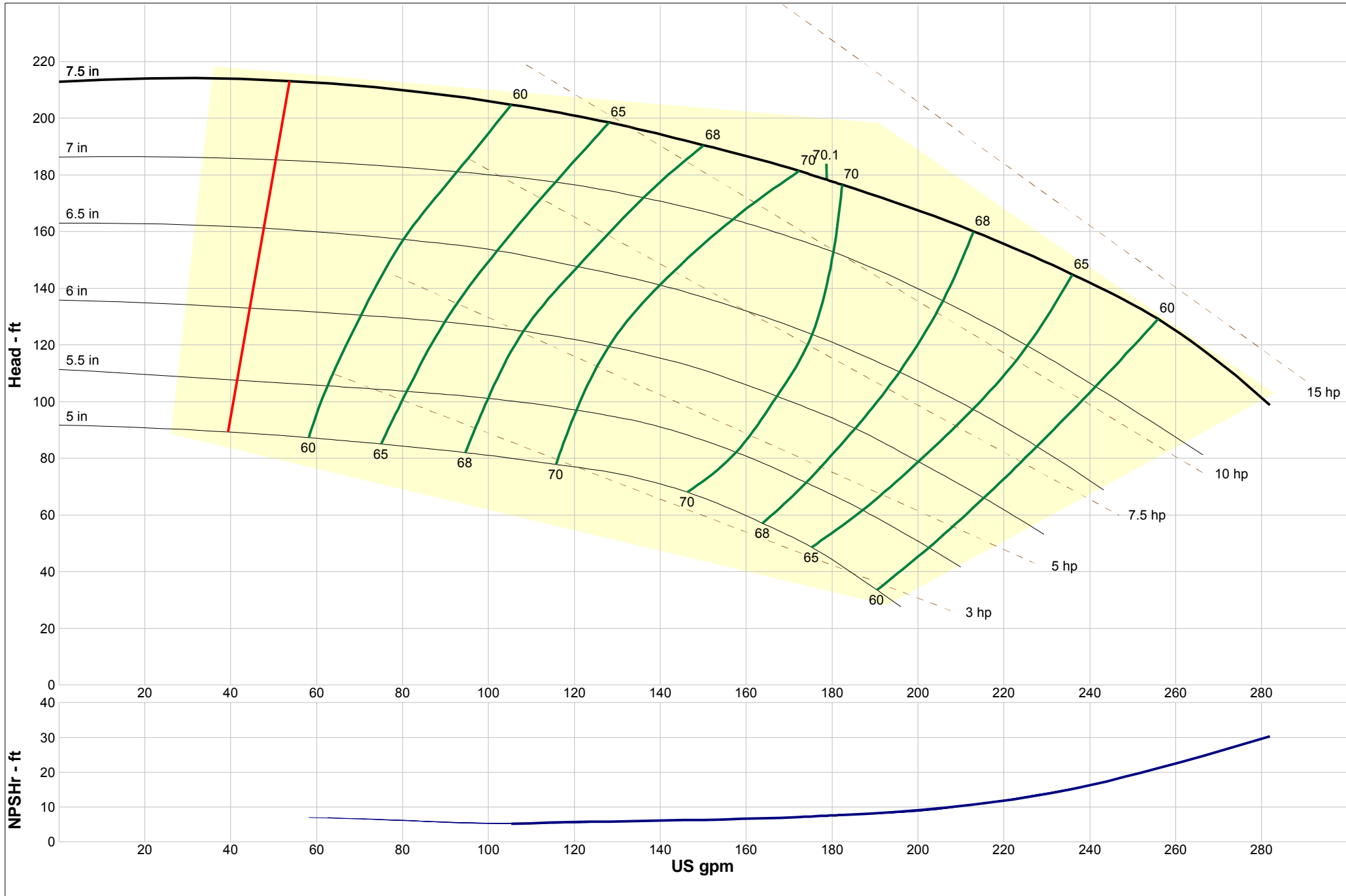




**Model: PCT1-1/4H**  
**Speed: 3450 rpm**  
**Curve: 1-1/4H2CI**

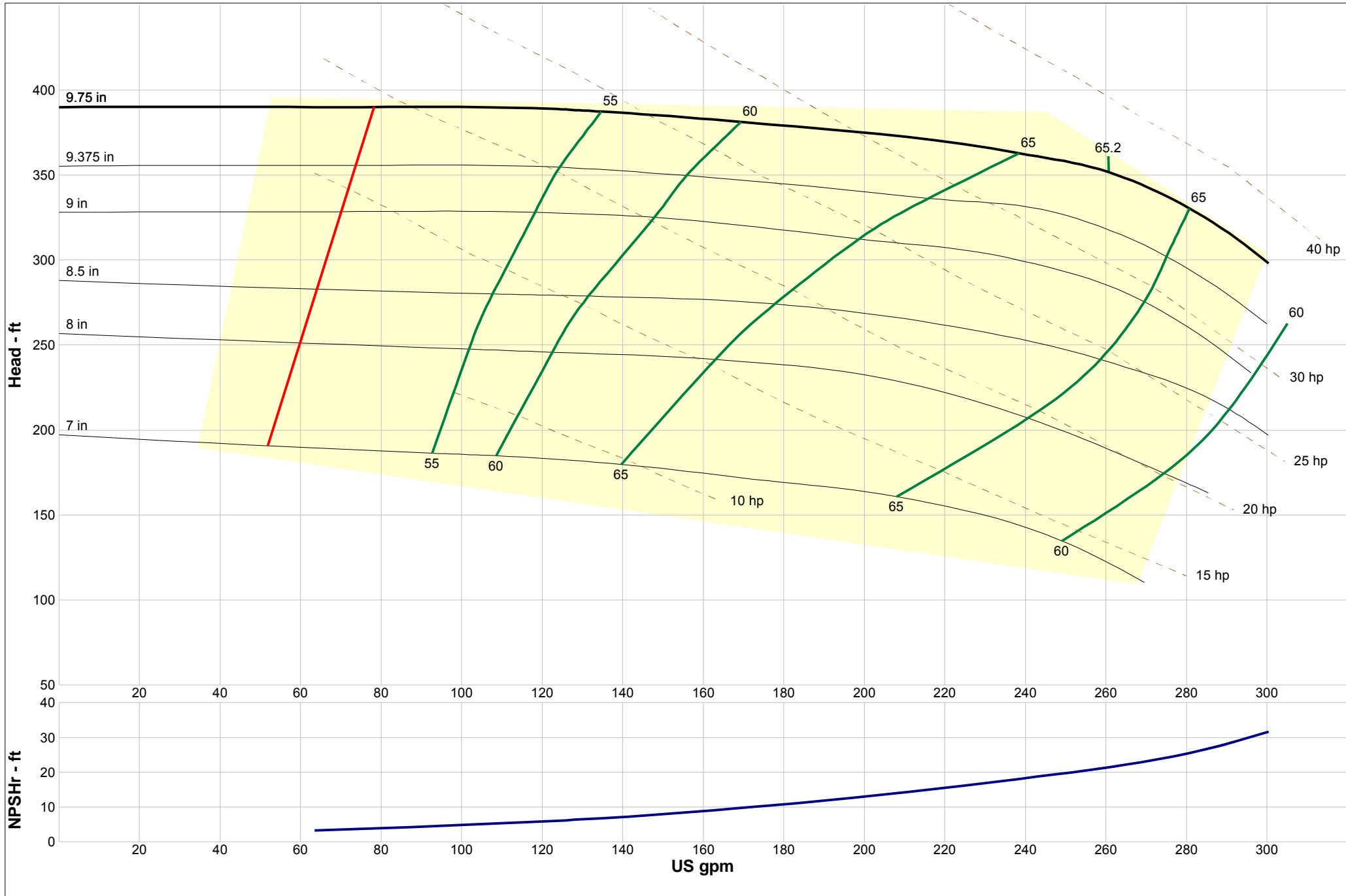






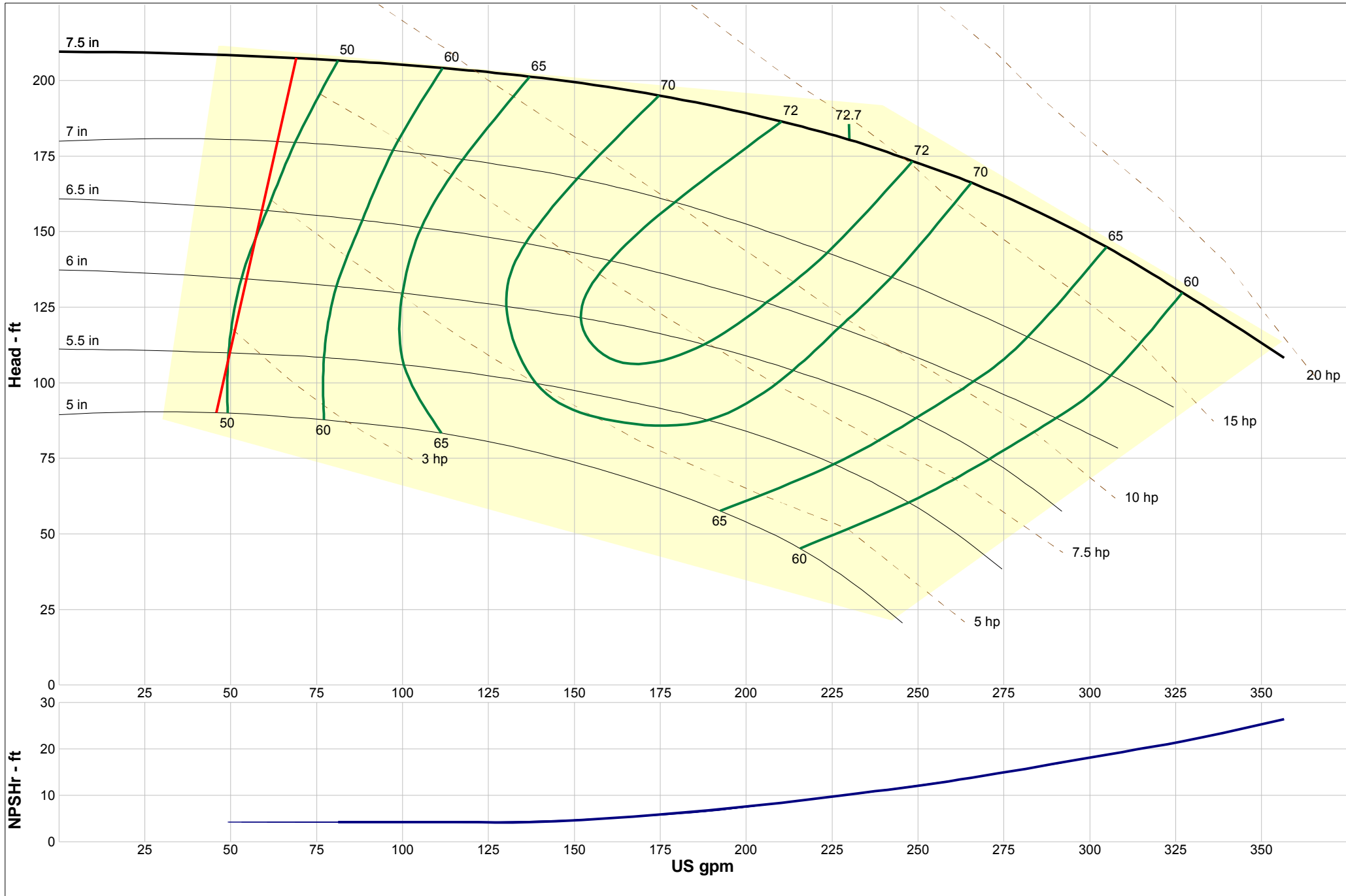
**Model: PCT1-1/2L**  
**Speed: 3450 rpm**  
**Curve: 1-1/2L2CI**





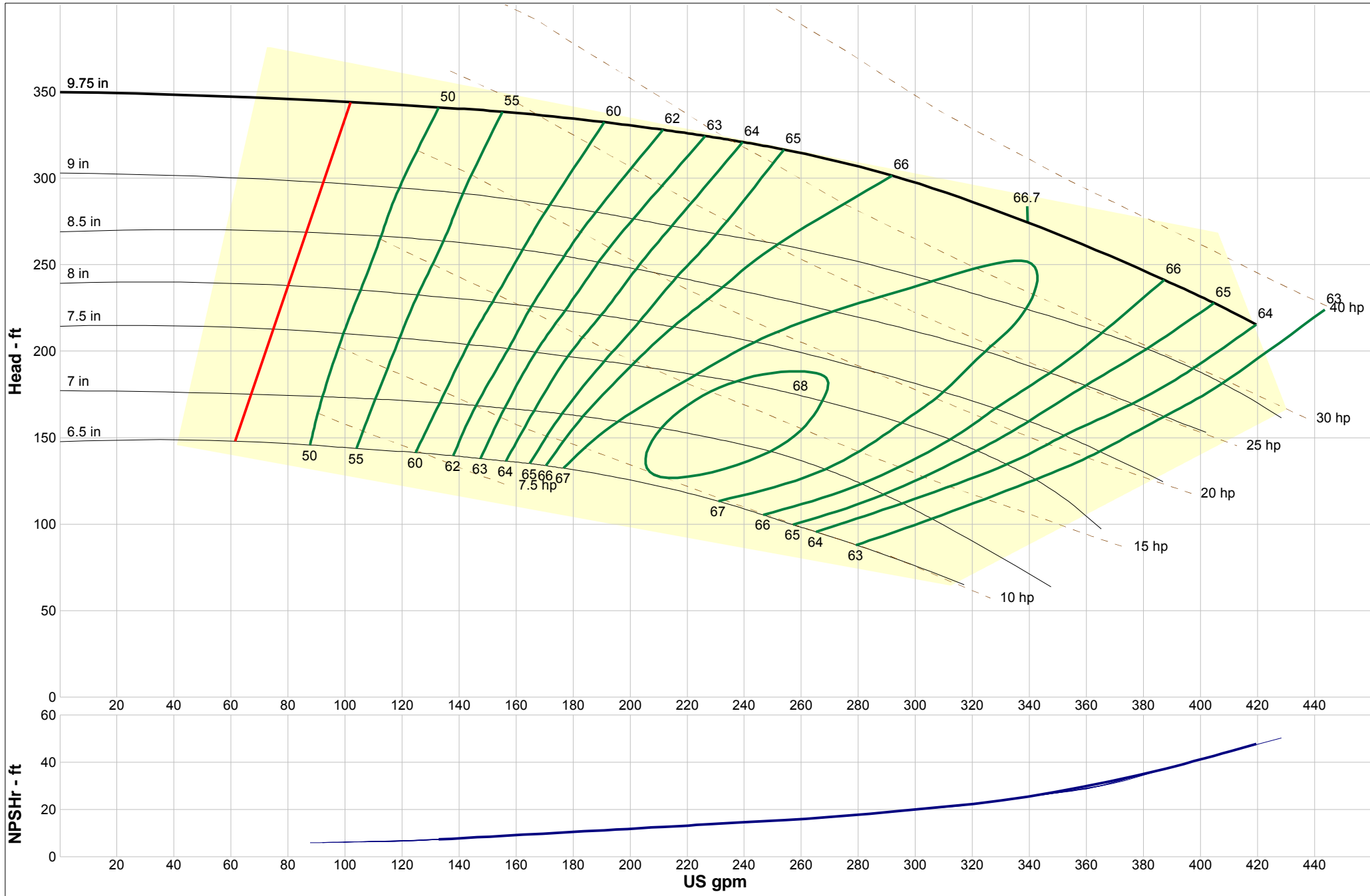
**Model: PCT1-1/2H**  
**Speed: 3450 rpm**  
**Curve: 1-1/2H2CI**





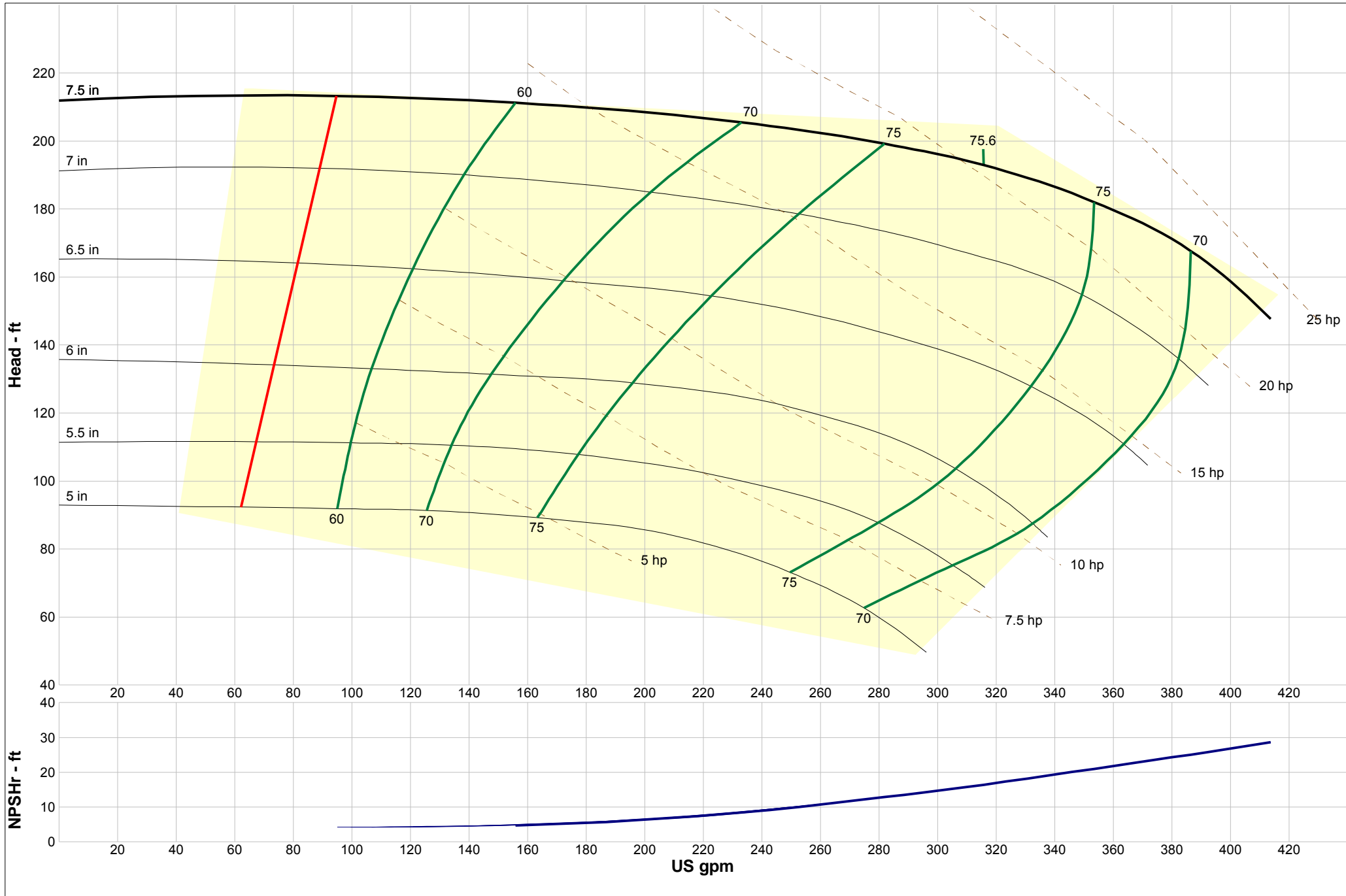
**Model: PCT2L**  
**Speed: 3450 rpm**  
**Curve: 2L2CI**





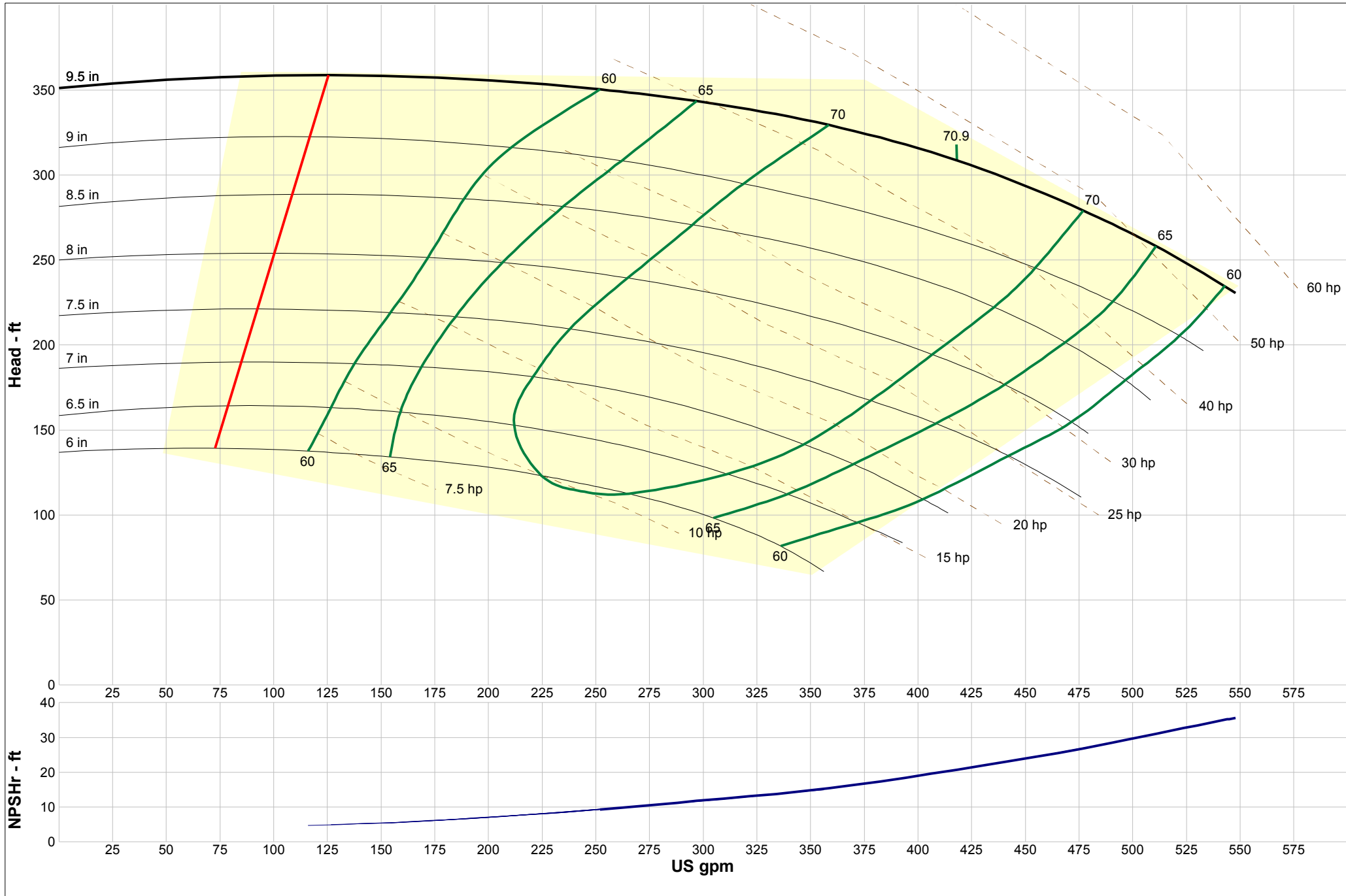
**Model: PCT2H**  
**Speed: 3500 rpm**  
**Curve: 2H2CI**





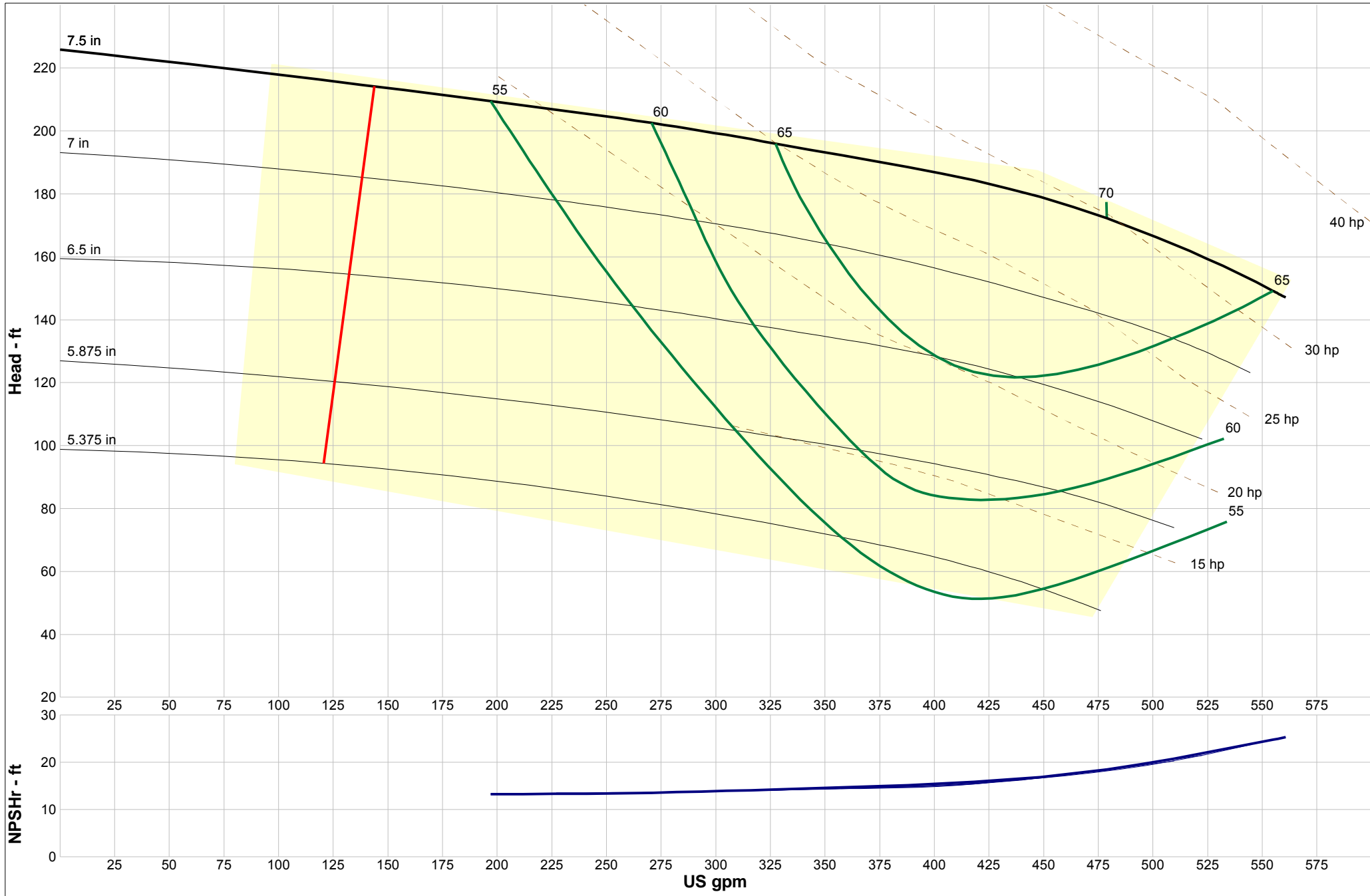
**Model: PC: 2-1/2L**  
**Speed: 3450 rpm**  
**Curve: 2-1/2L2CI**





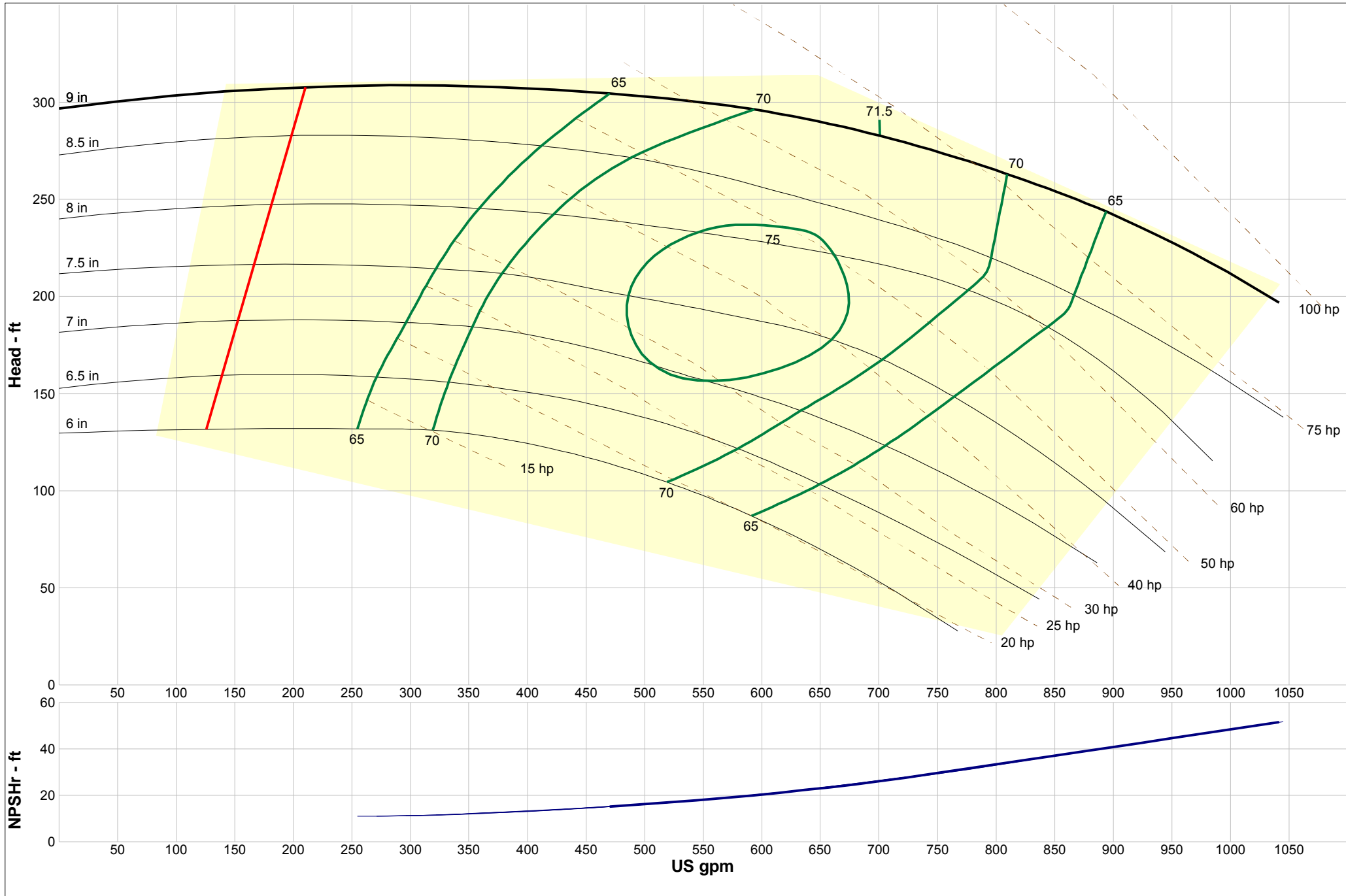
**Model: PCF2-1/2H**  
**Speed: 3450 rpm**  
**Curve: 2-1/2H2CI**





**Model: PCF3LB**  
**Speed: 3600 rpm**  
**Curve: 3LB2CI**

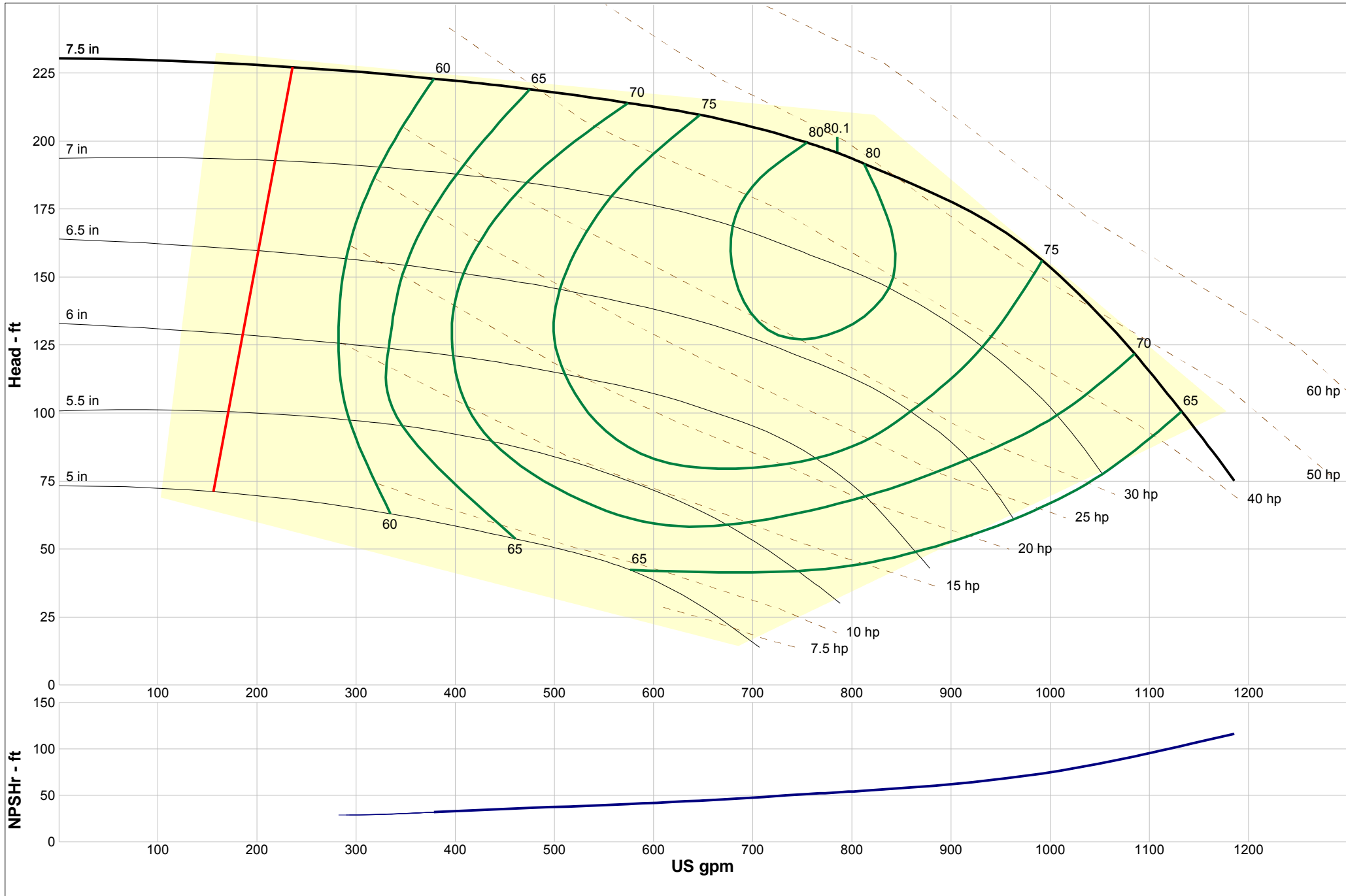




**Model: PCF3H**  
**Speed: 3450 rpm**  
**Curve: 3H2CI**

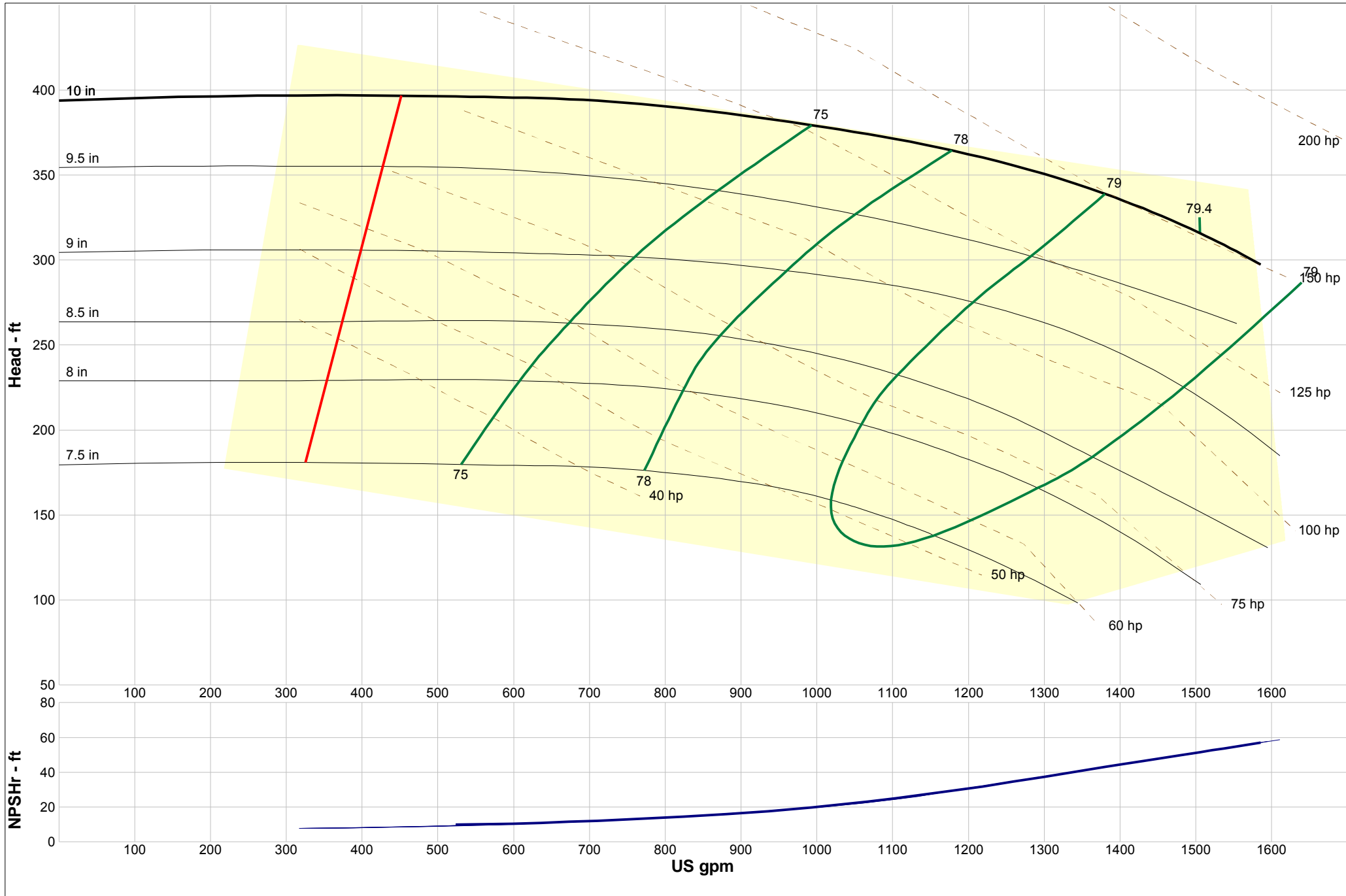






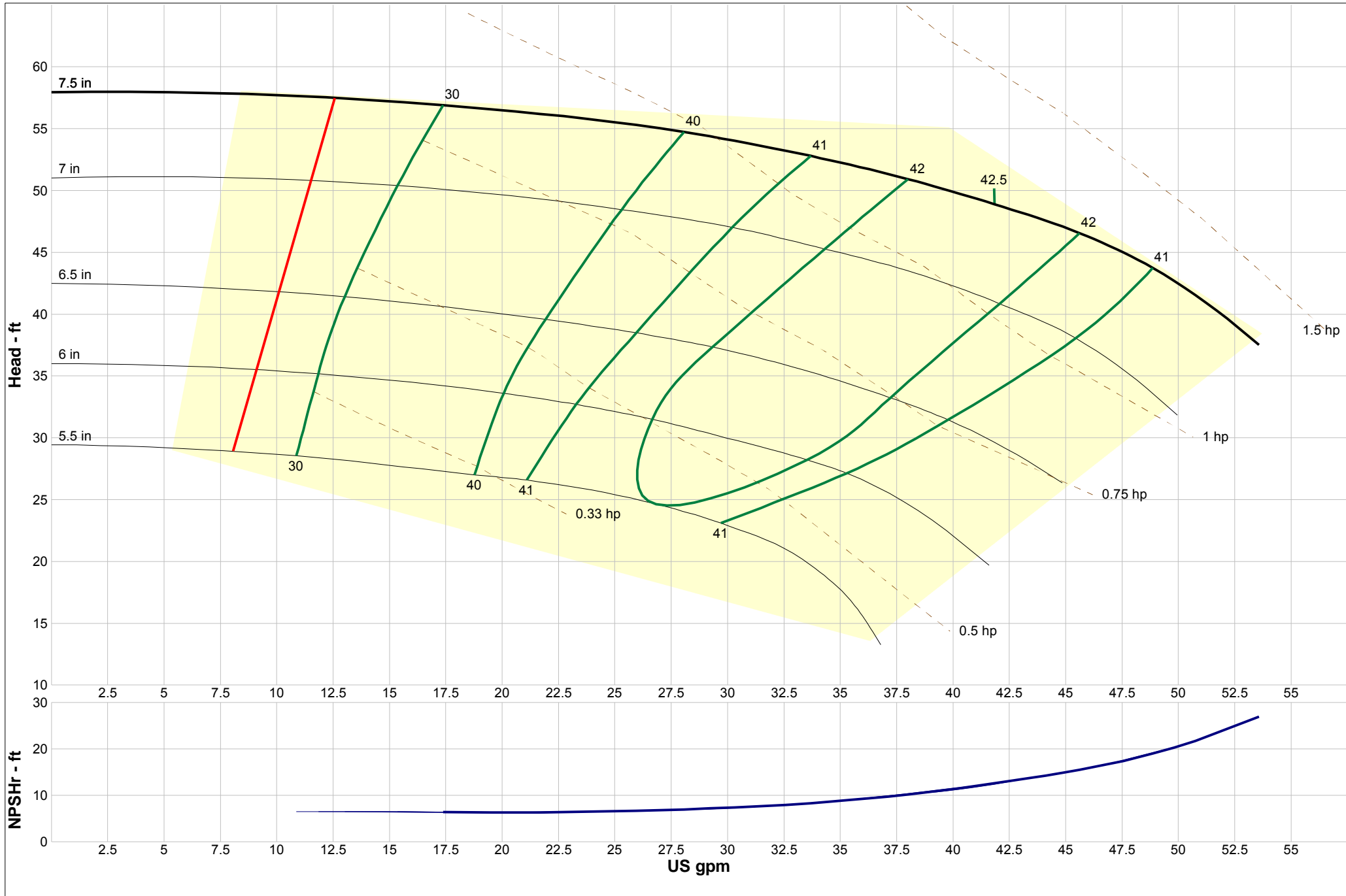
**Model: PCF4L**  
**Speed: 3450 rpm**  
**Curve: 4L2CI**





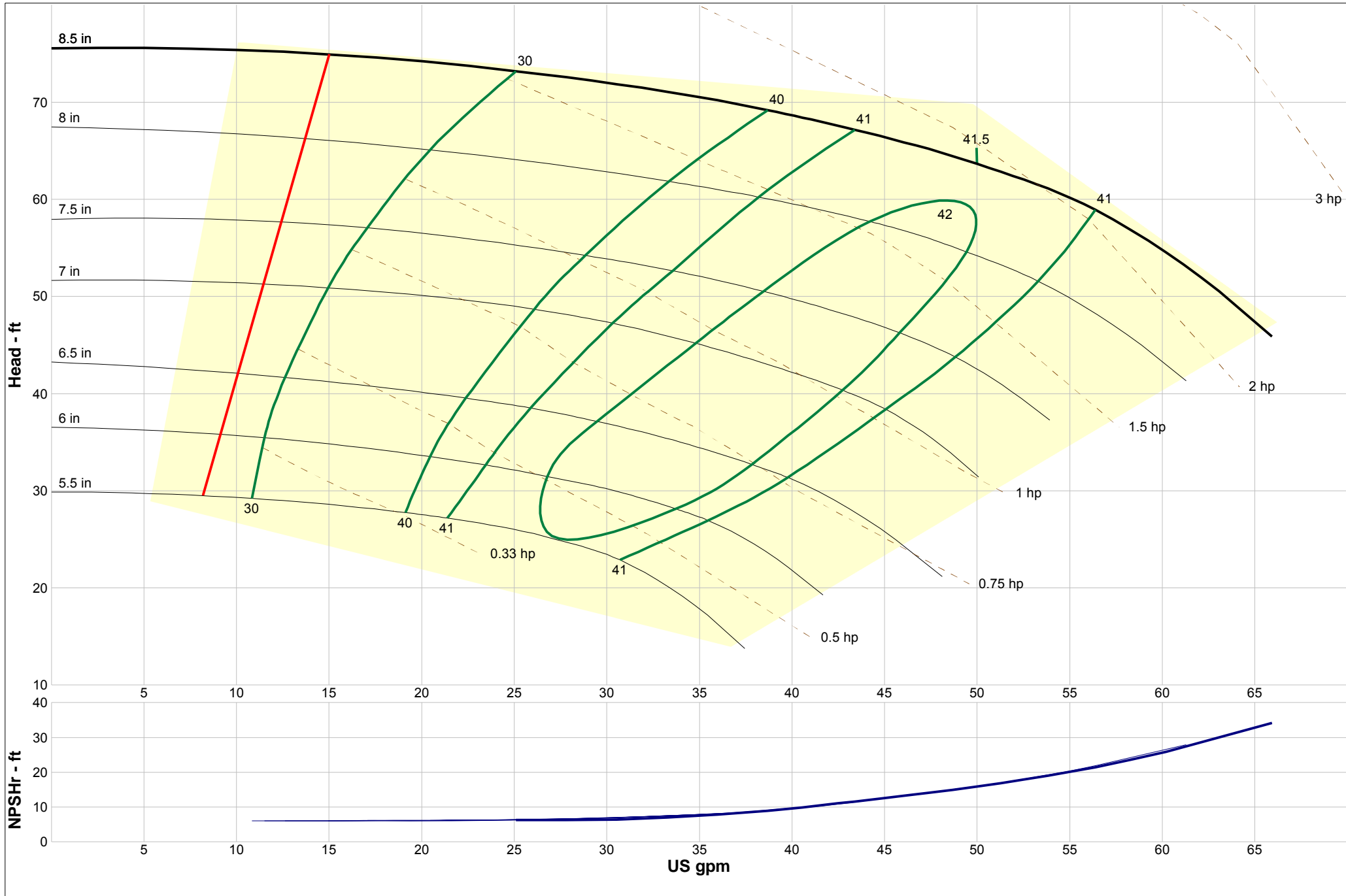
**Model: PCF4H**  
**Speed: 3450 rpm**  
**Curve: 4H2CI**





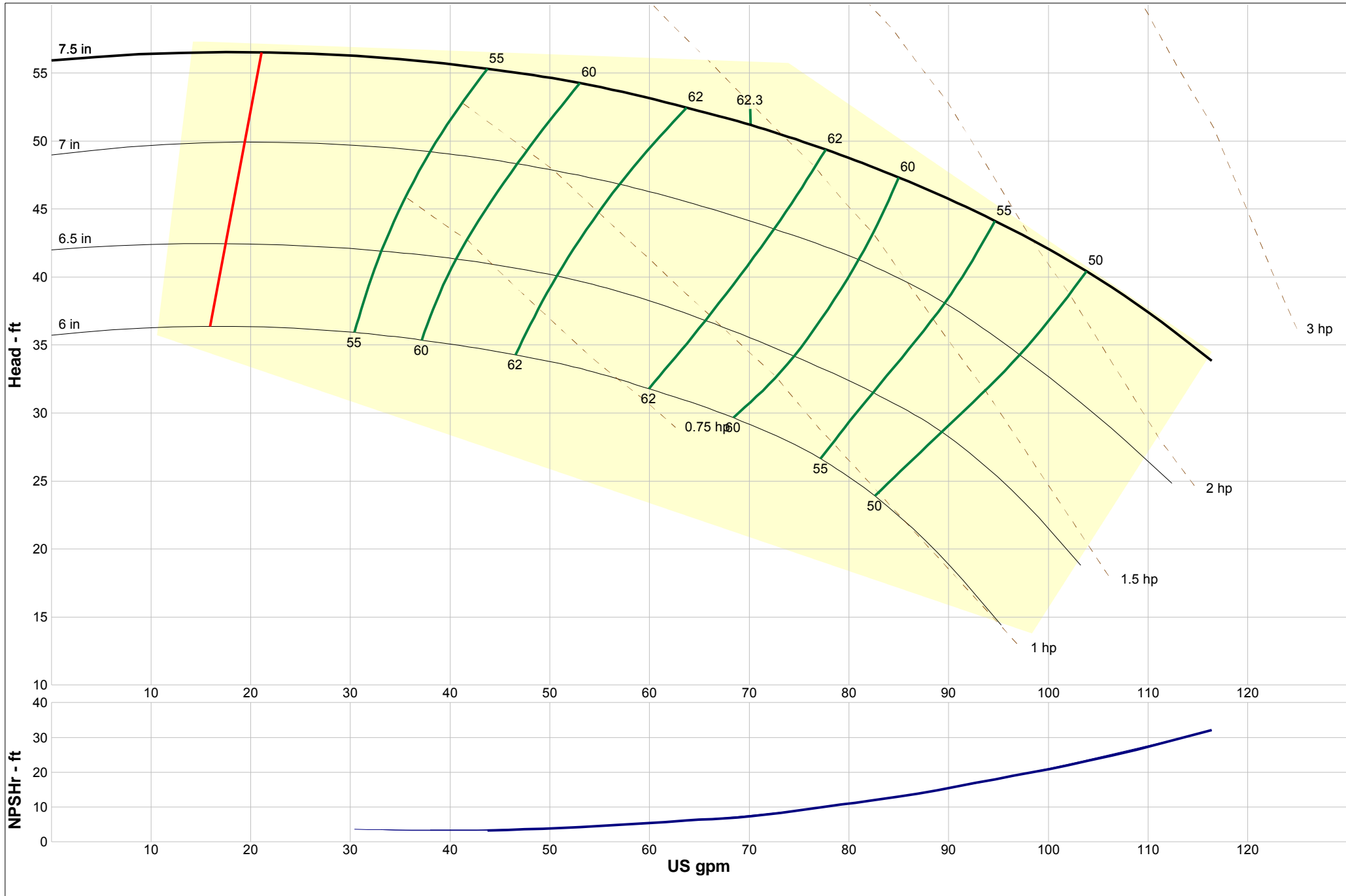
**Model: PCT1L**  
**Speed: 1750 rpm**  
**Curve: 1L4CI**





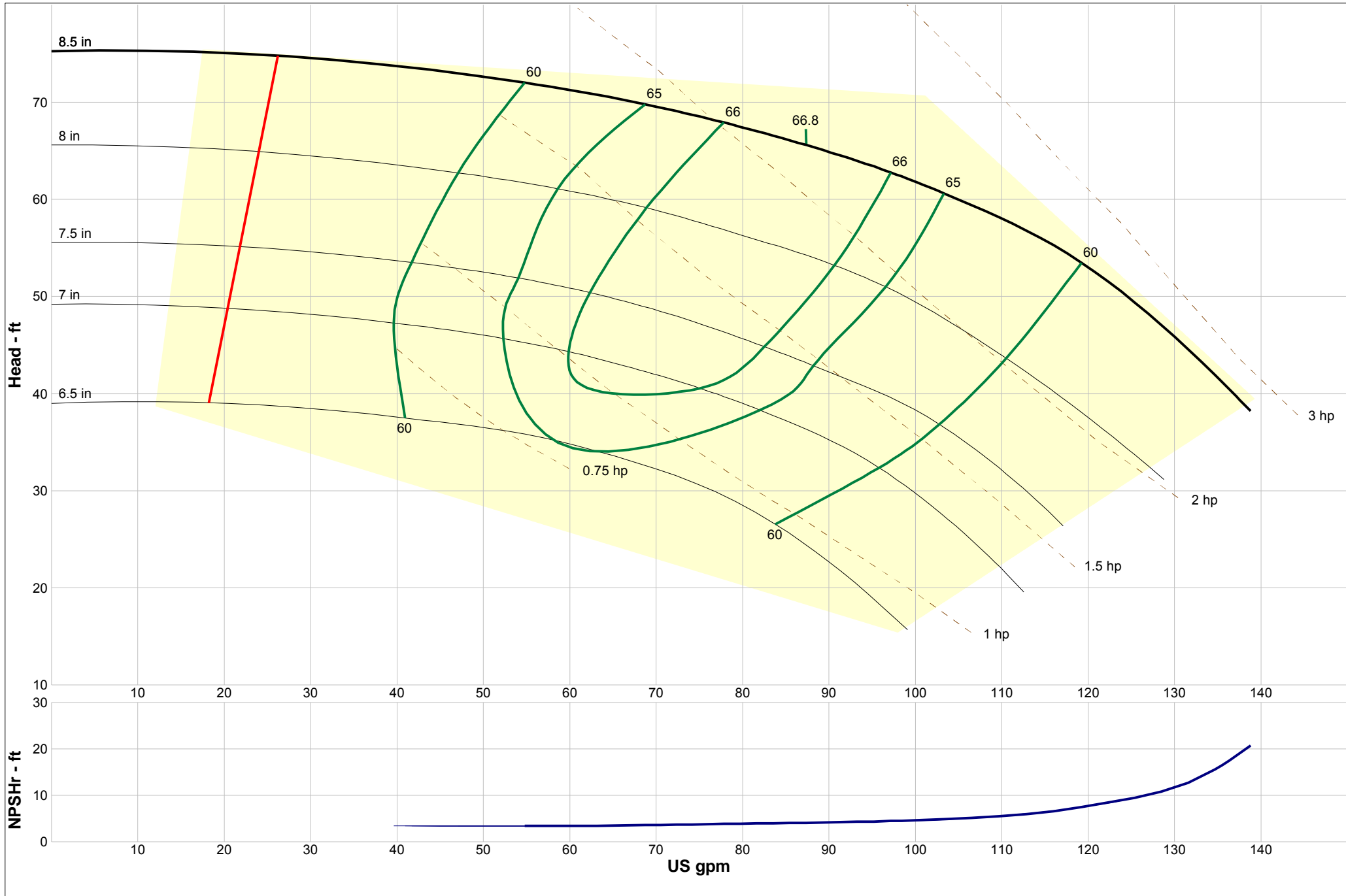
**Model: PCT1H**  
**Speed: 1750 rpm**  
**Curve: 1H4CI**





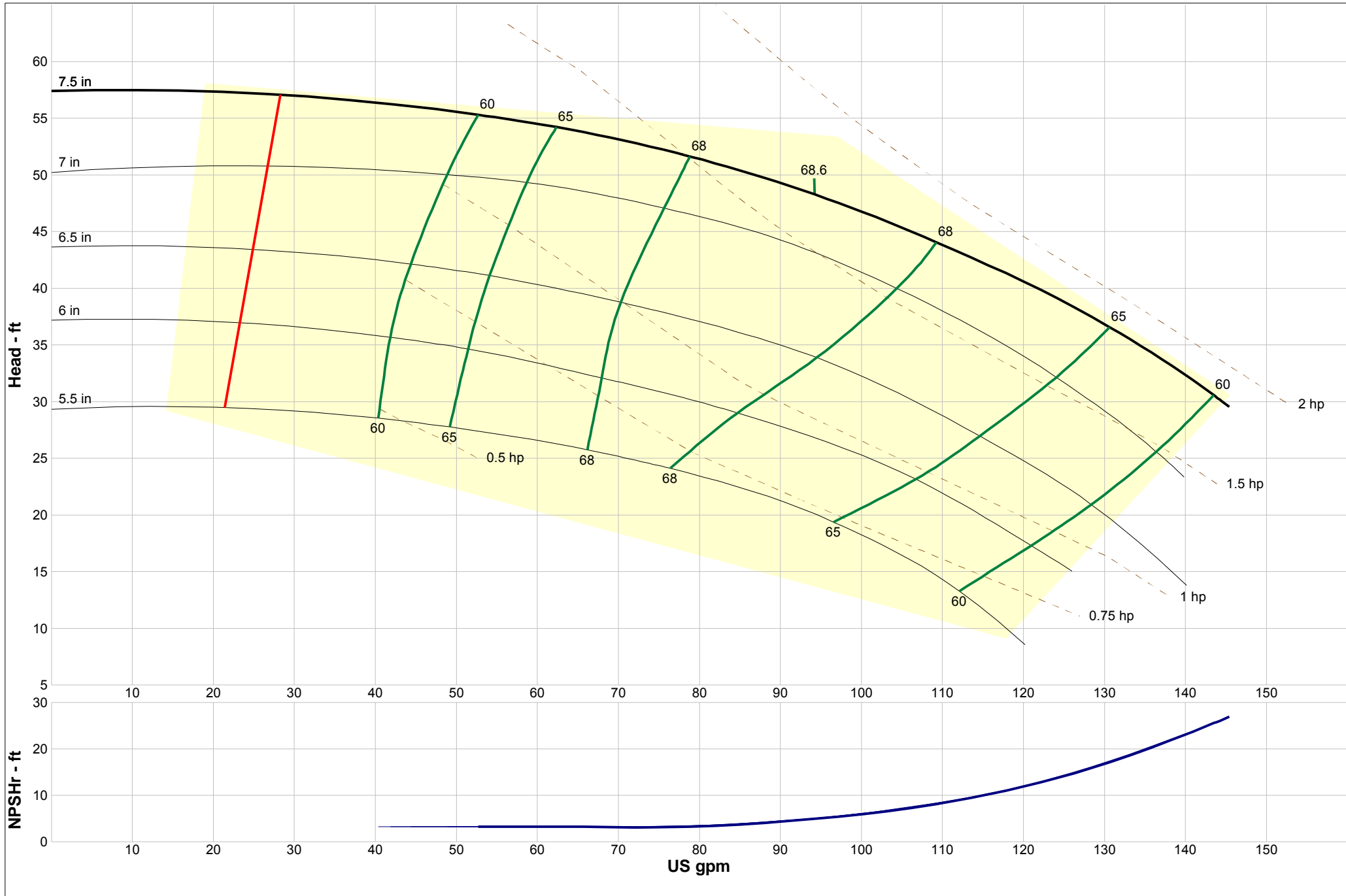
**Model: PCT1-1/4L**  
**Speed: 1750 rpm**  
**Curve: 1-1/4L4CI**





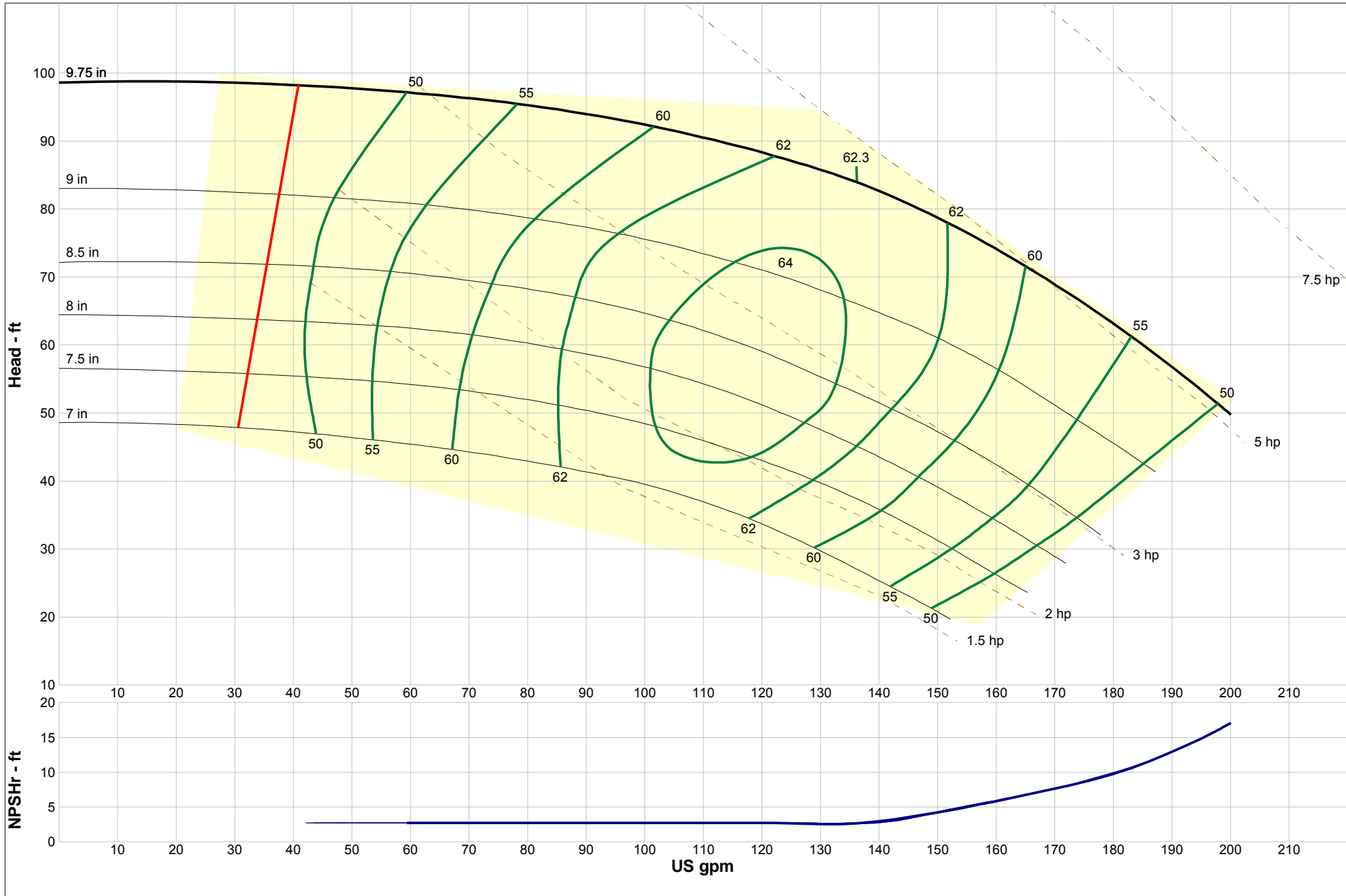
**Model: PCT1-1/4H**  
**Speed: 1750 rpm**  
**Curve: 1-1/4H4CI**





**Model: PCT1-1/2L**  
**Speed: 1750 rpm**  
**Curve: 1-1/2L4CI**

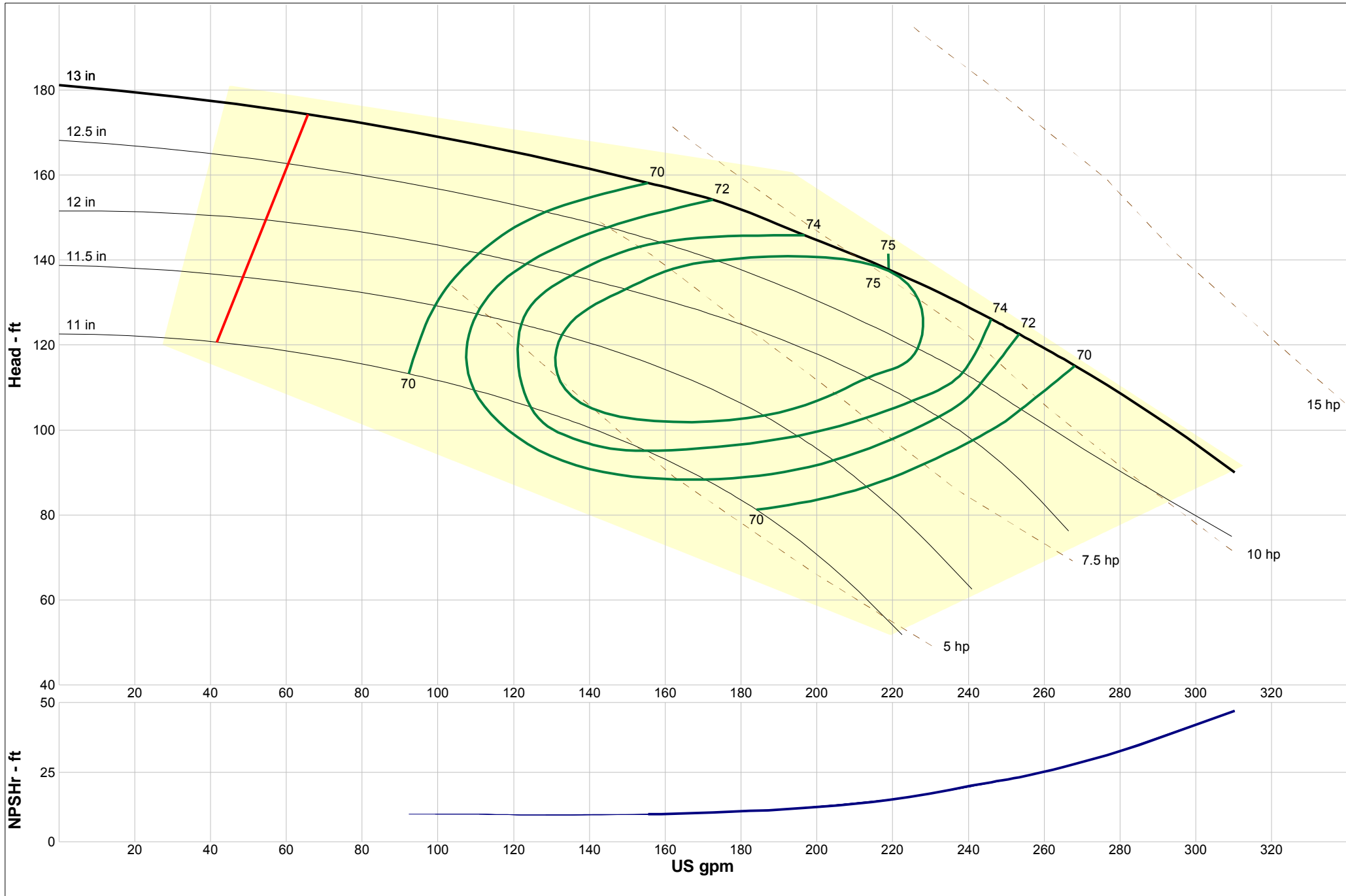




**Model: PCT1-1/2H**  
**Speed: 1750 rpm**  
**Curve: 1-1/2H4CI**

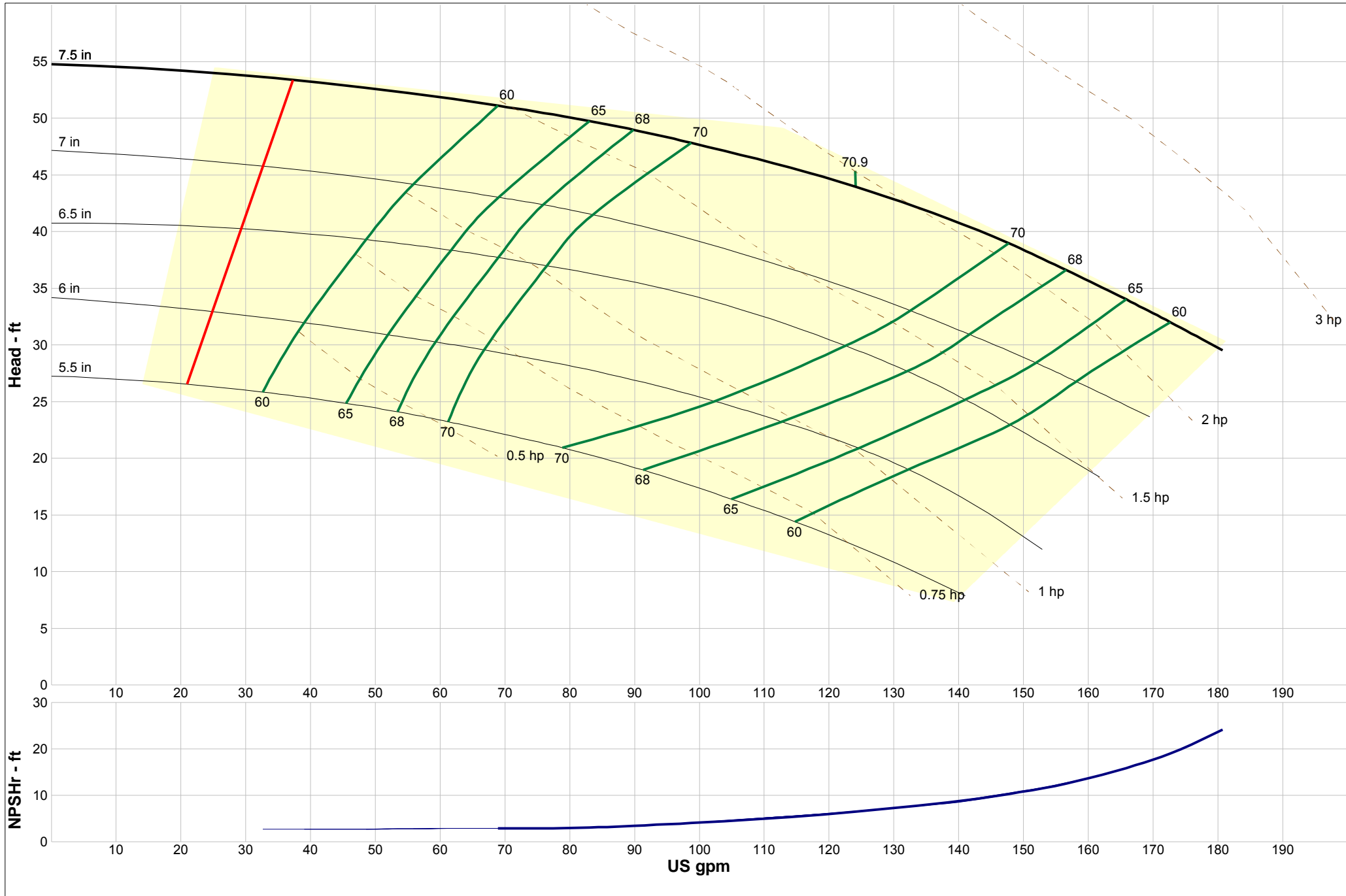






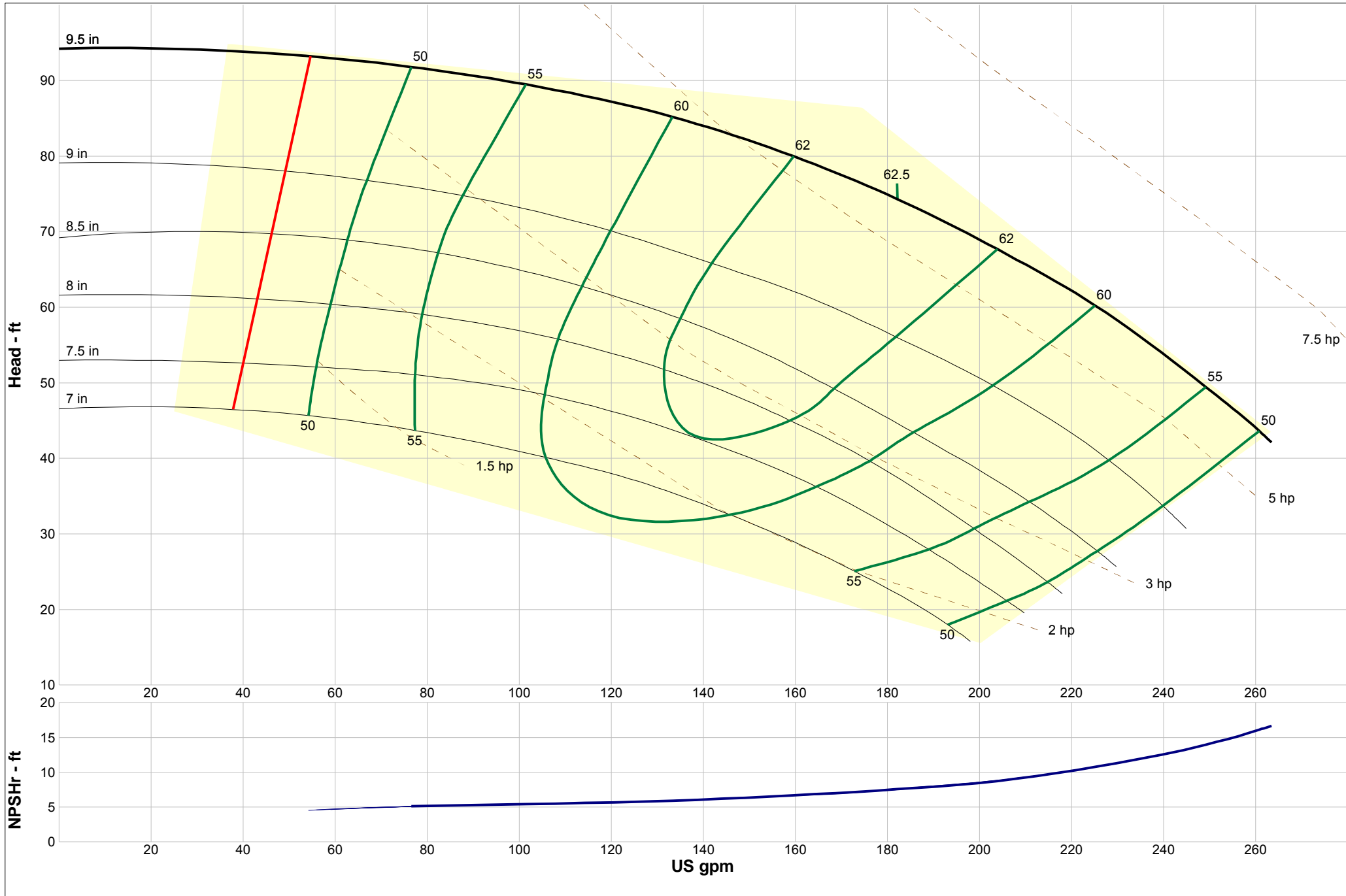
**Model: PCT1-1/2HS**  
**Speed: 1750 rpm**  
**Curve: 1-1/2HS4CI**





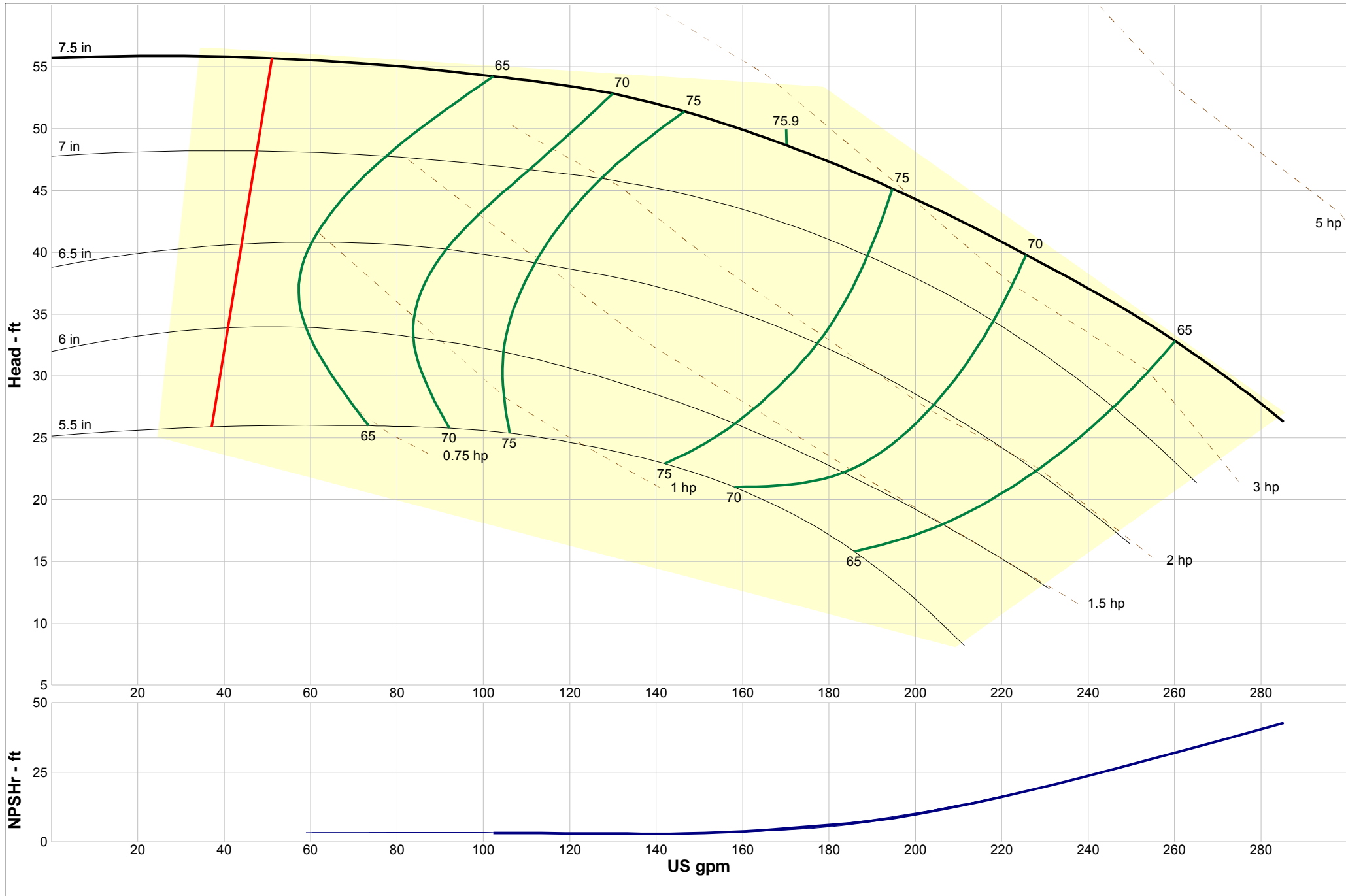
**Model: PCT2L**  
**Speed: 1750 rpm**  
**Curve: 2L4CI**





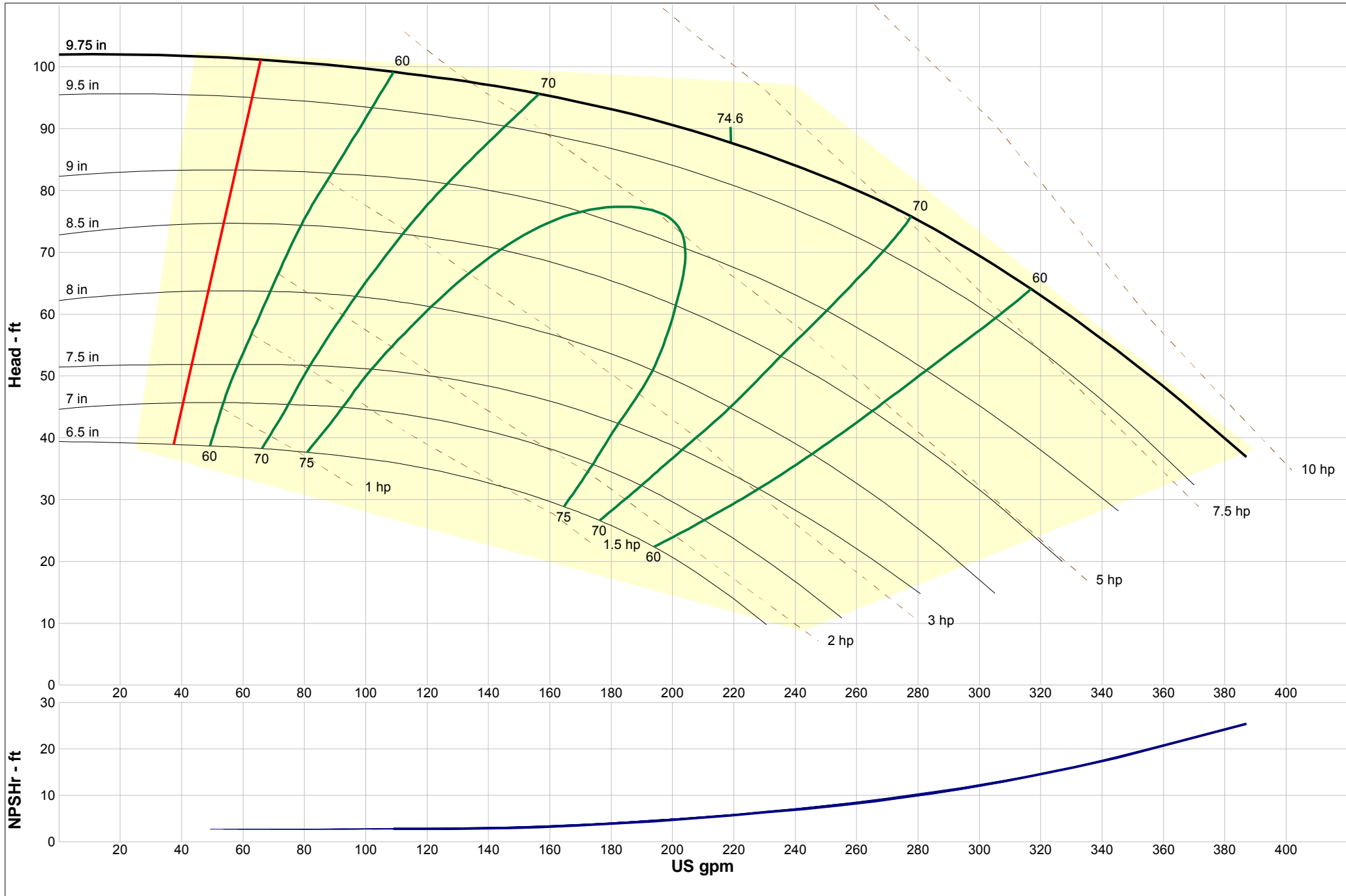
**Model: PCT2H**  
**Speed: 1750 rpm**  
**Curve: 2H4CI**





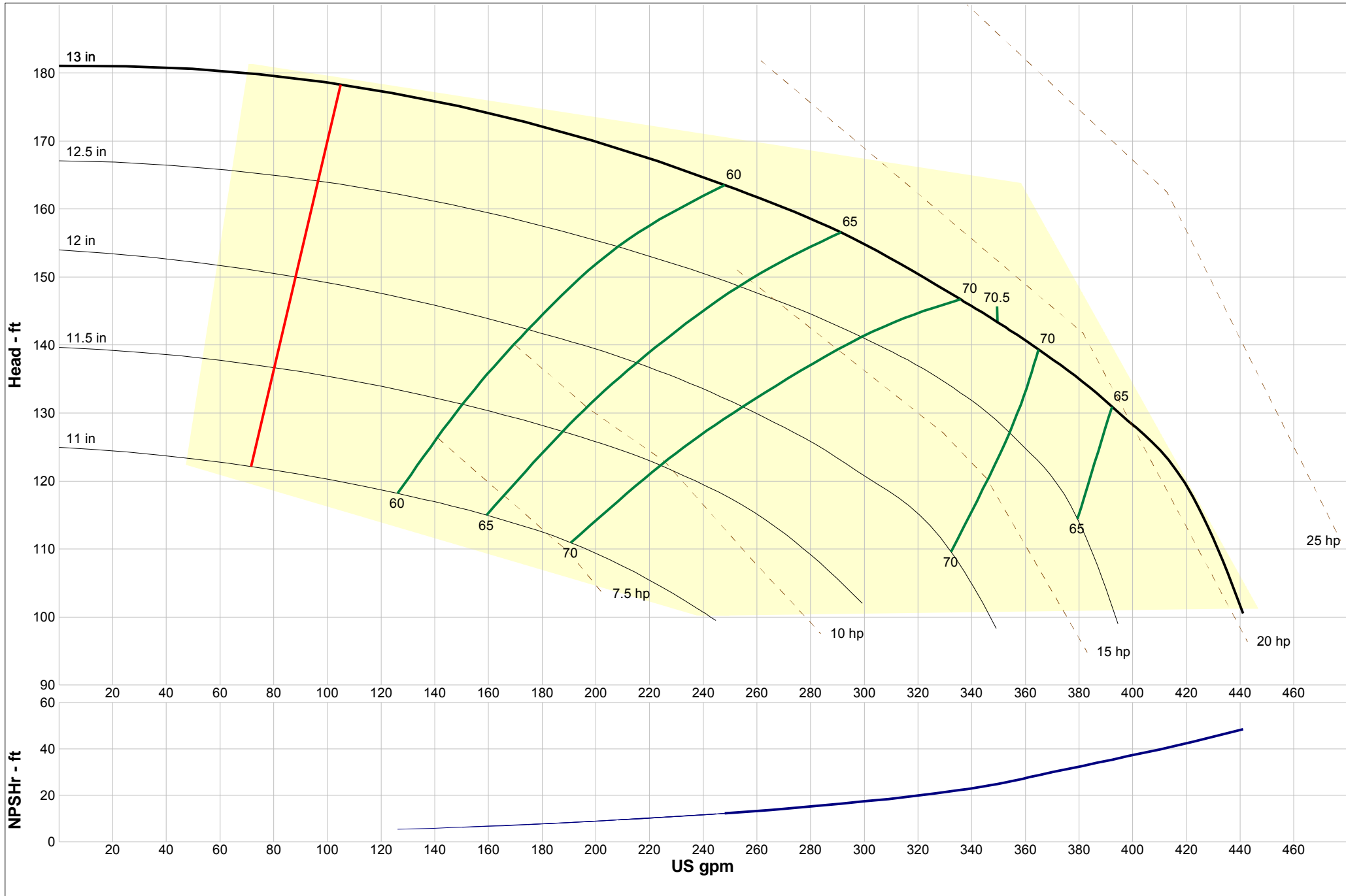
**Model: PCT2-1/2L**  
**Speed: 1750 rpm**  
**Curve: 2-1/2L4CI**





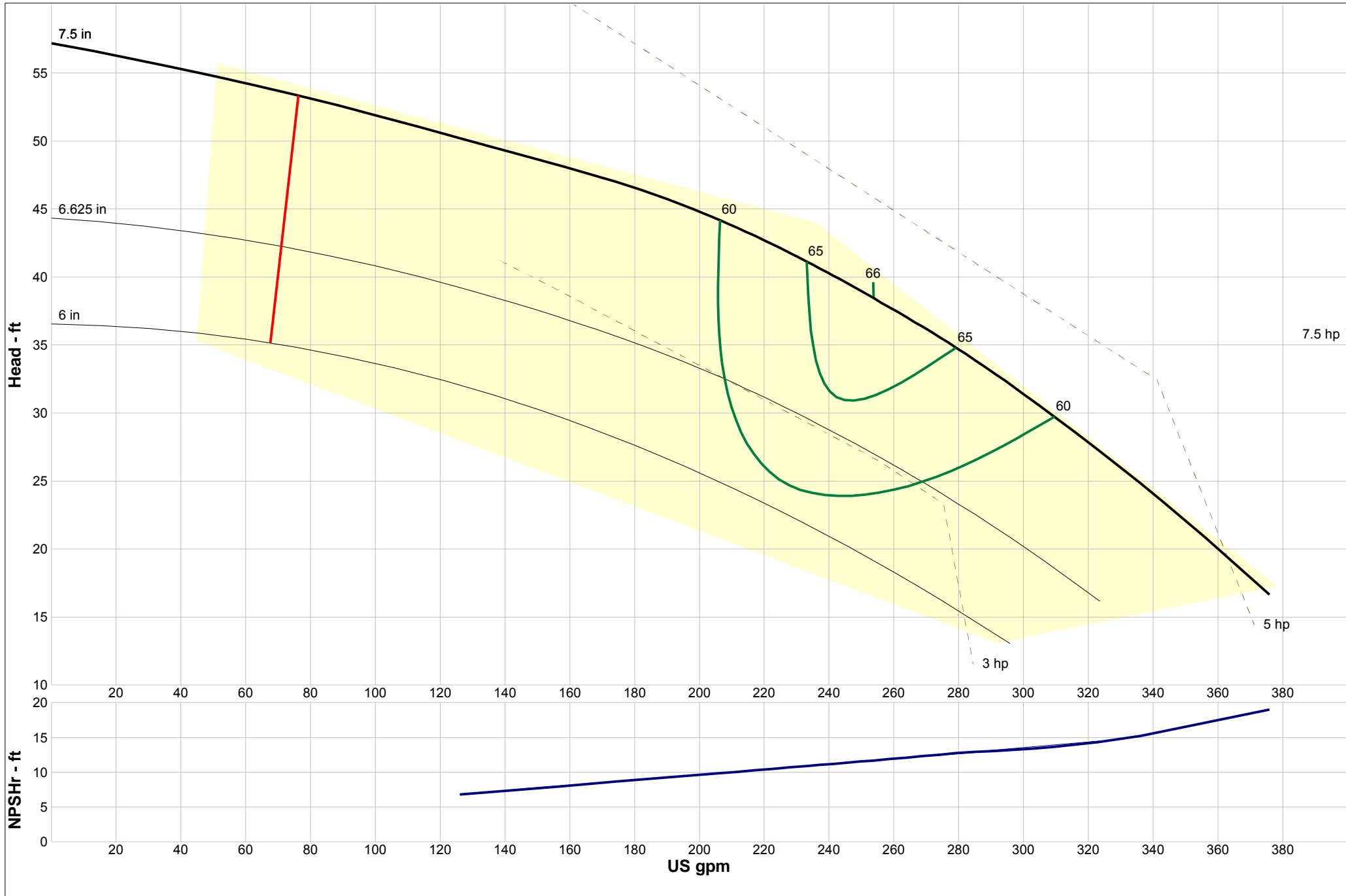
**Model: PCF2-1/2H**  
**Speed: 1750 rpm**  
**Curve: 2-1/2H4CI**





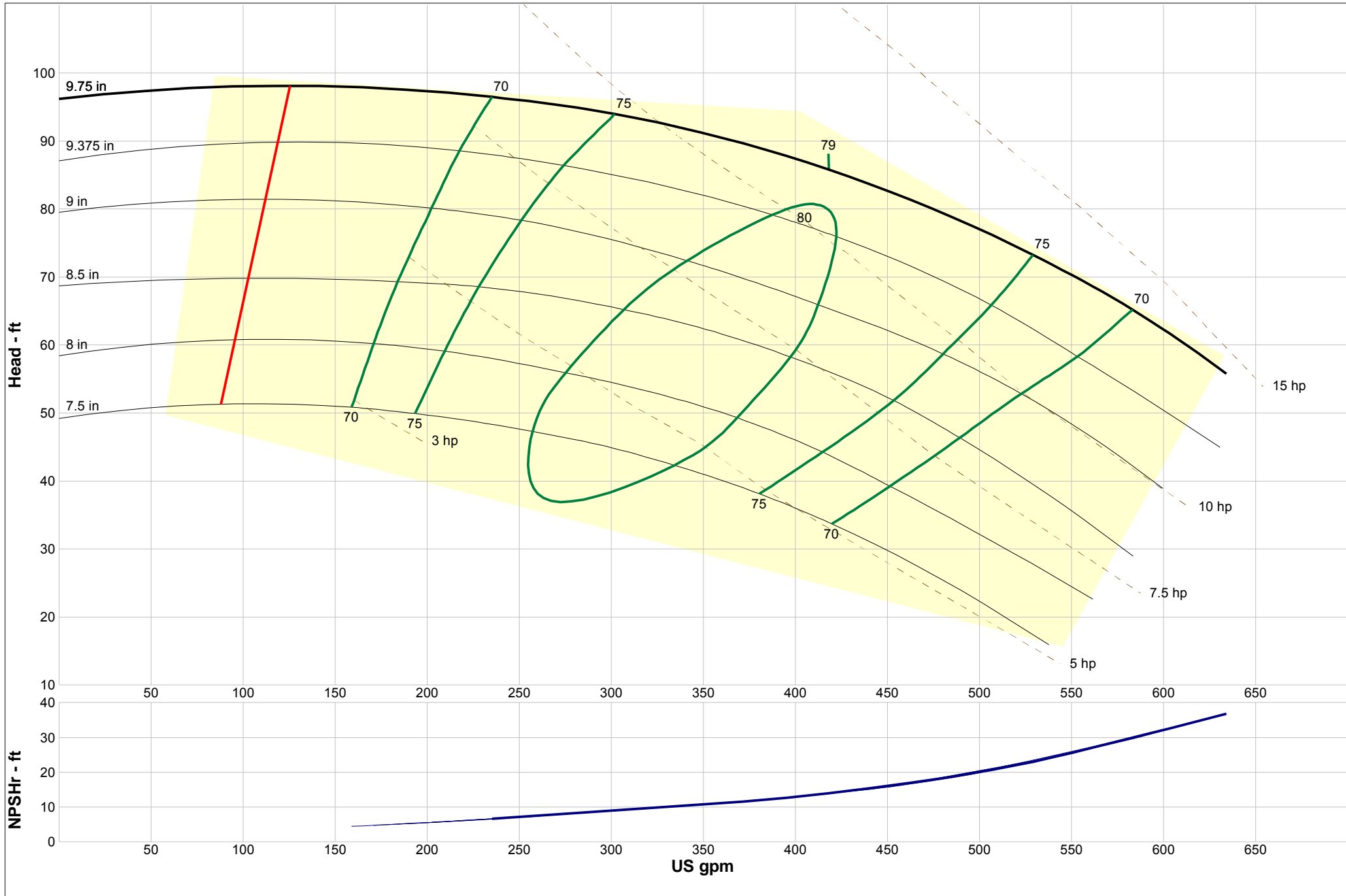
**Model: PCF2-1/2HS**  
**Speed: 1750 rpm**  
**Curve: 2-1/2HS4CI**





**Model: PCF3LB**  
**Speed: 1750 rpm**  
**Curve: 3LB4CI**

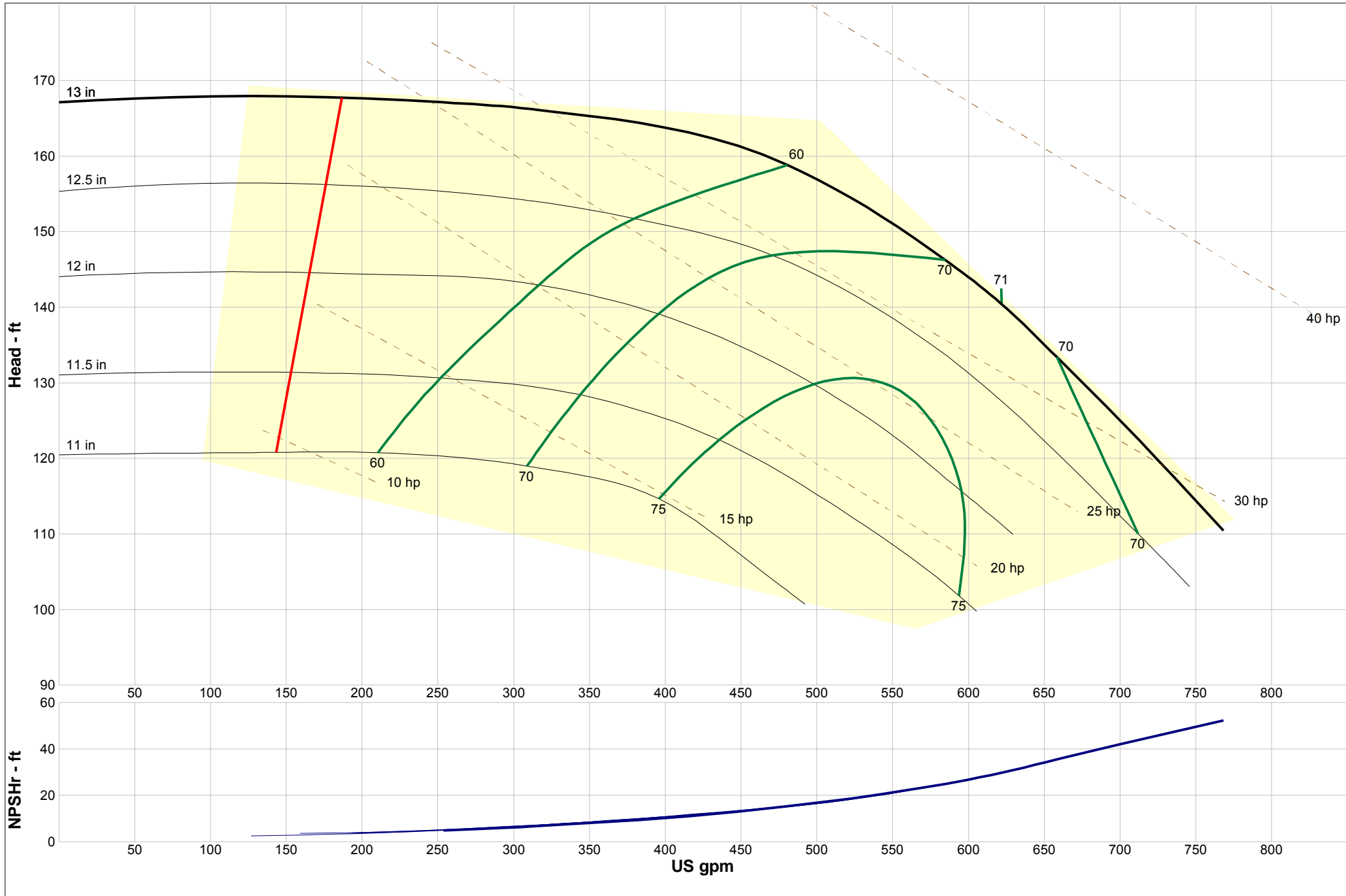




**Model: PCF3H**  
**Speed: 1750 rpm**  
**Curve: 3H4CI**

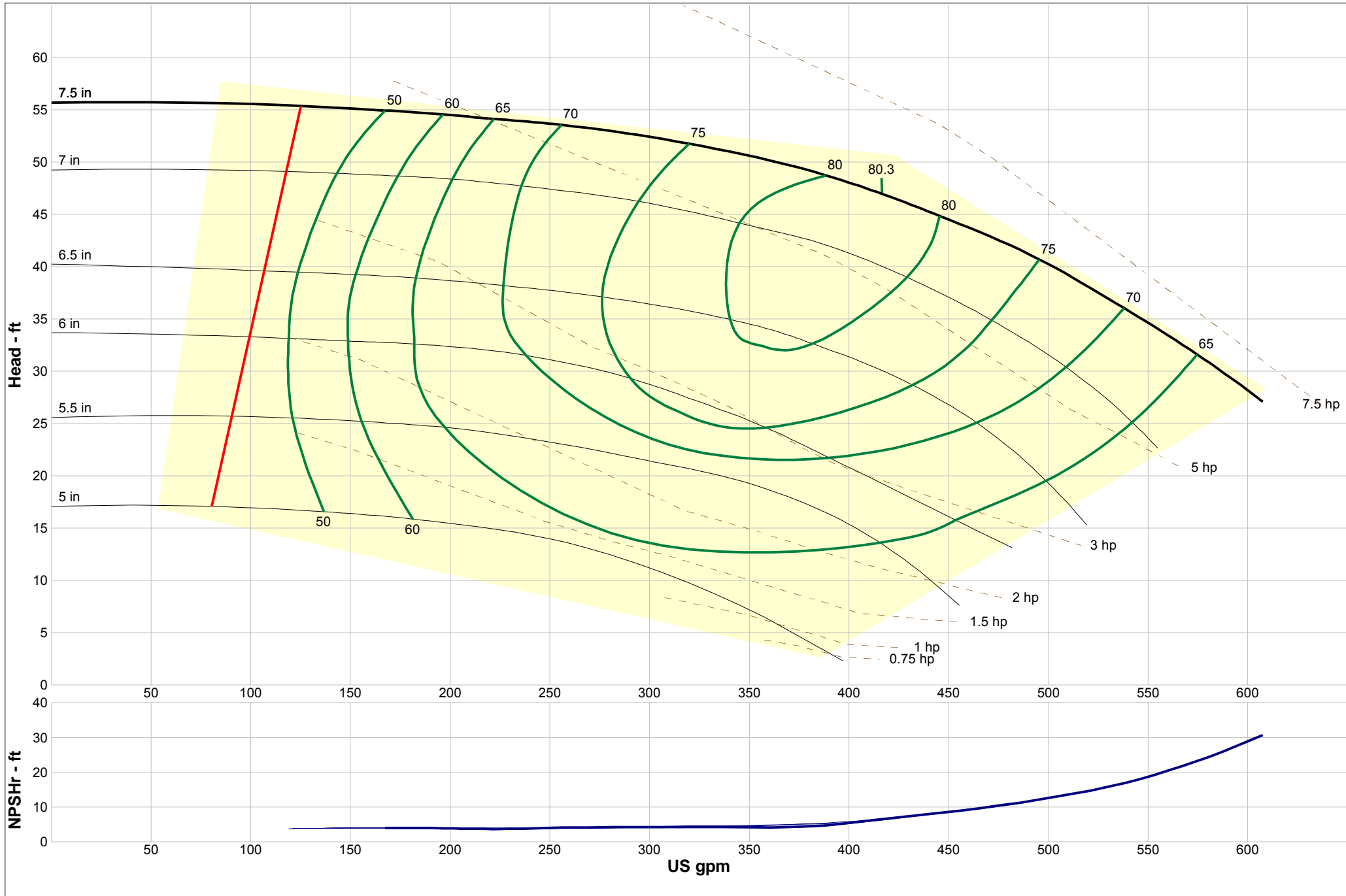






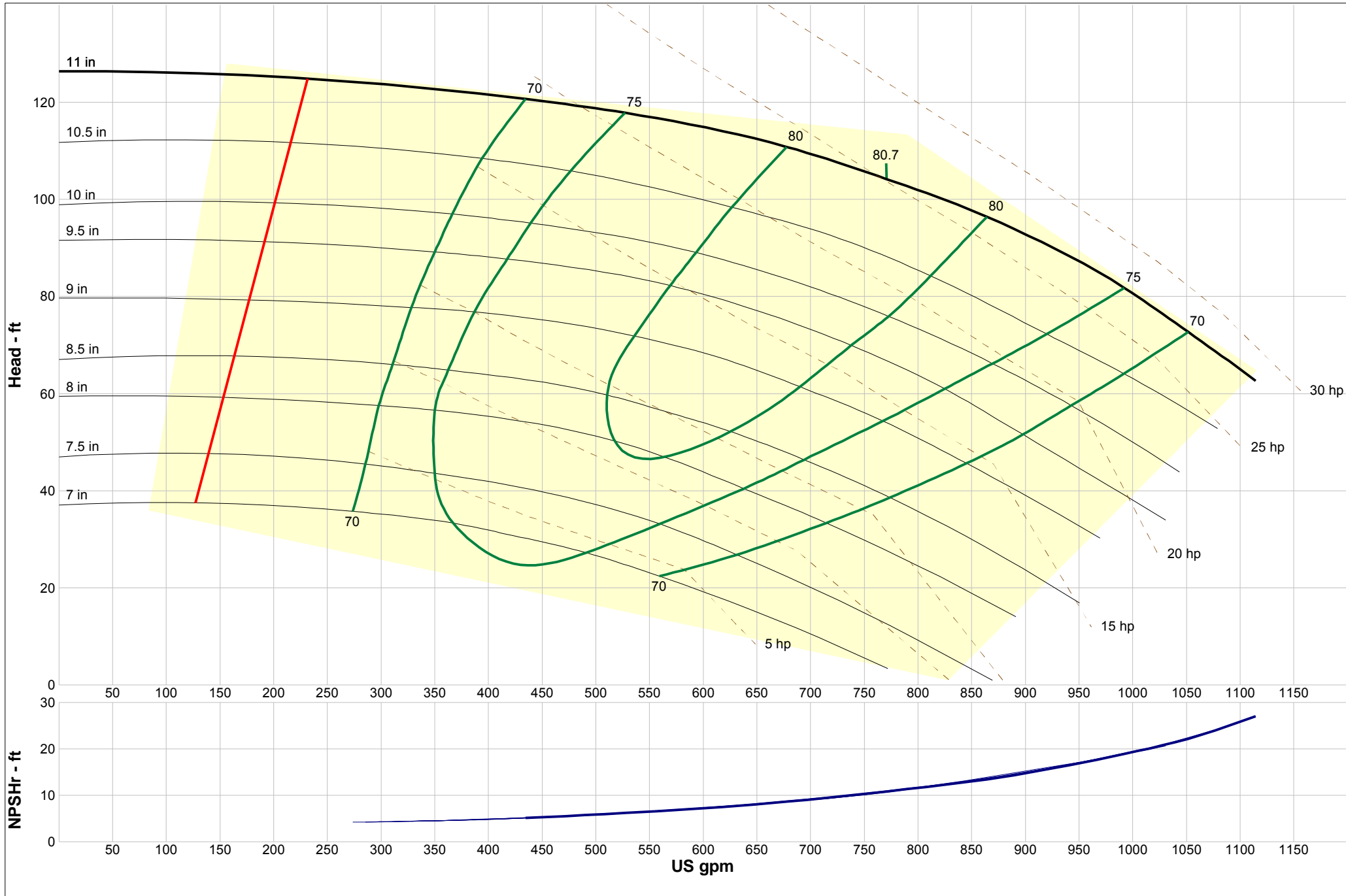
**Model: PCF3HS**  
**Speed: 1750 rpm**  
**Curve: 3HS4CI**





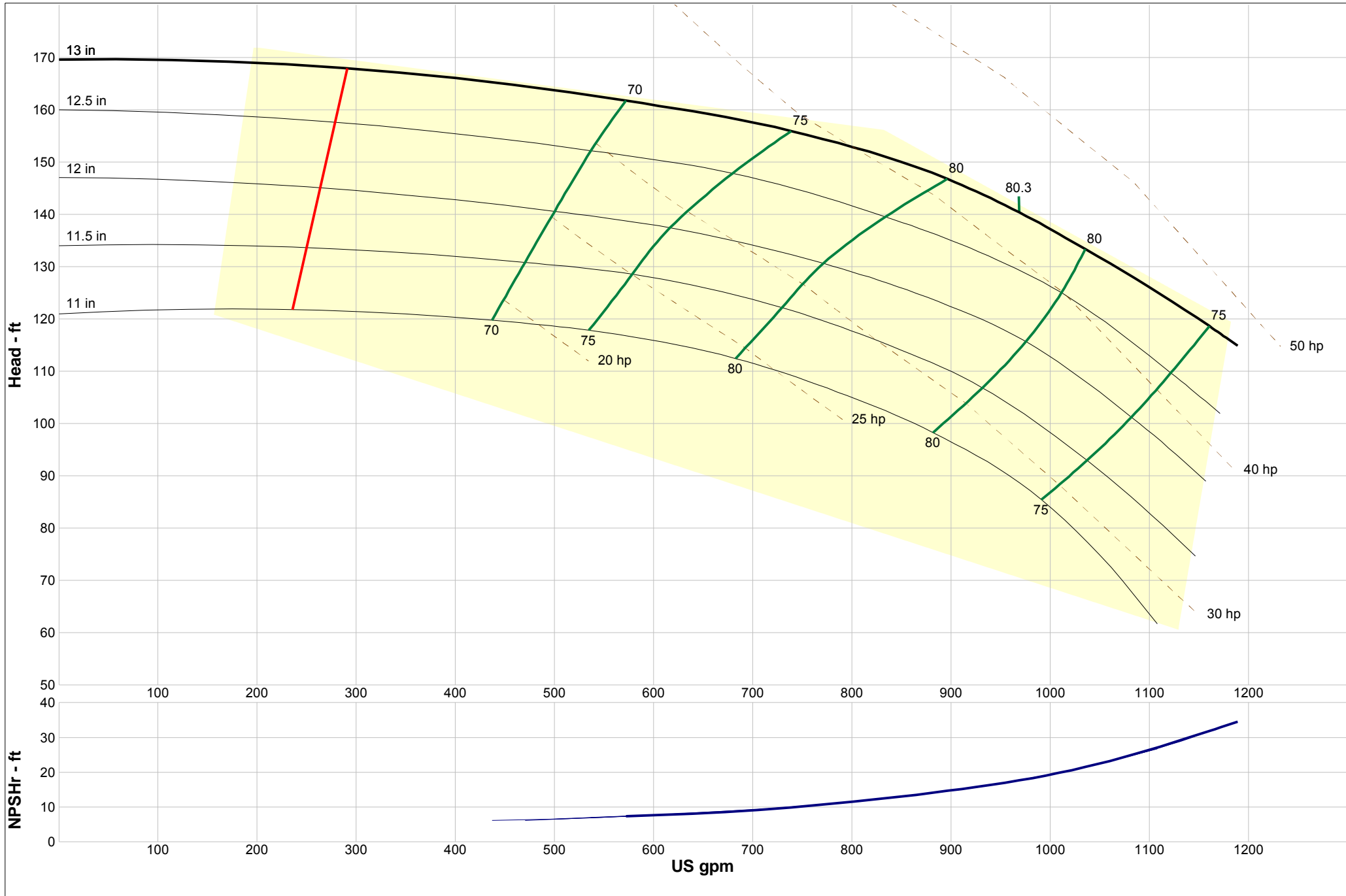
**Model: PCF4L**  
**Speed: 1750 rpm**  
**Curve: 4L4CI**





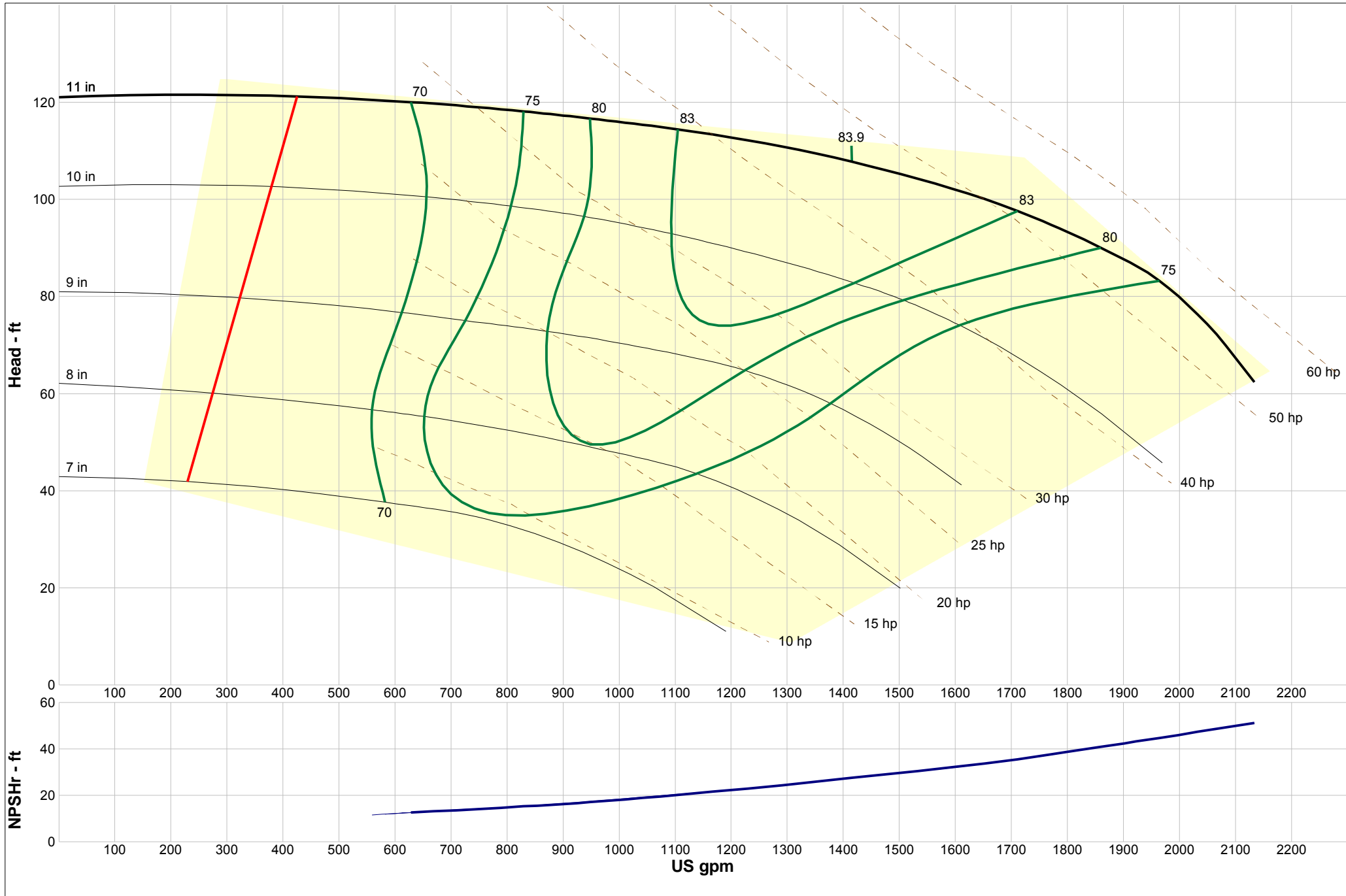
**Model: PCF4H**  
**Speed: 1750 rpm**  
**Curve: 4H4CI**





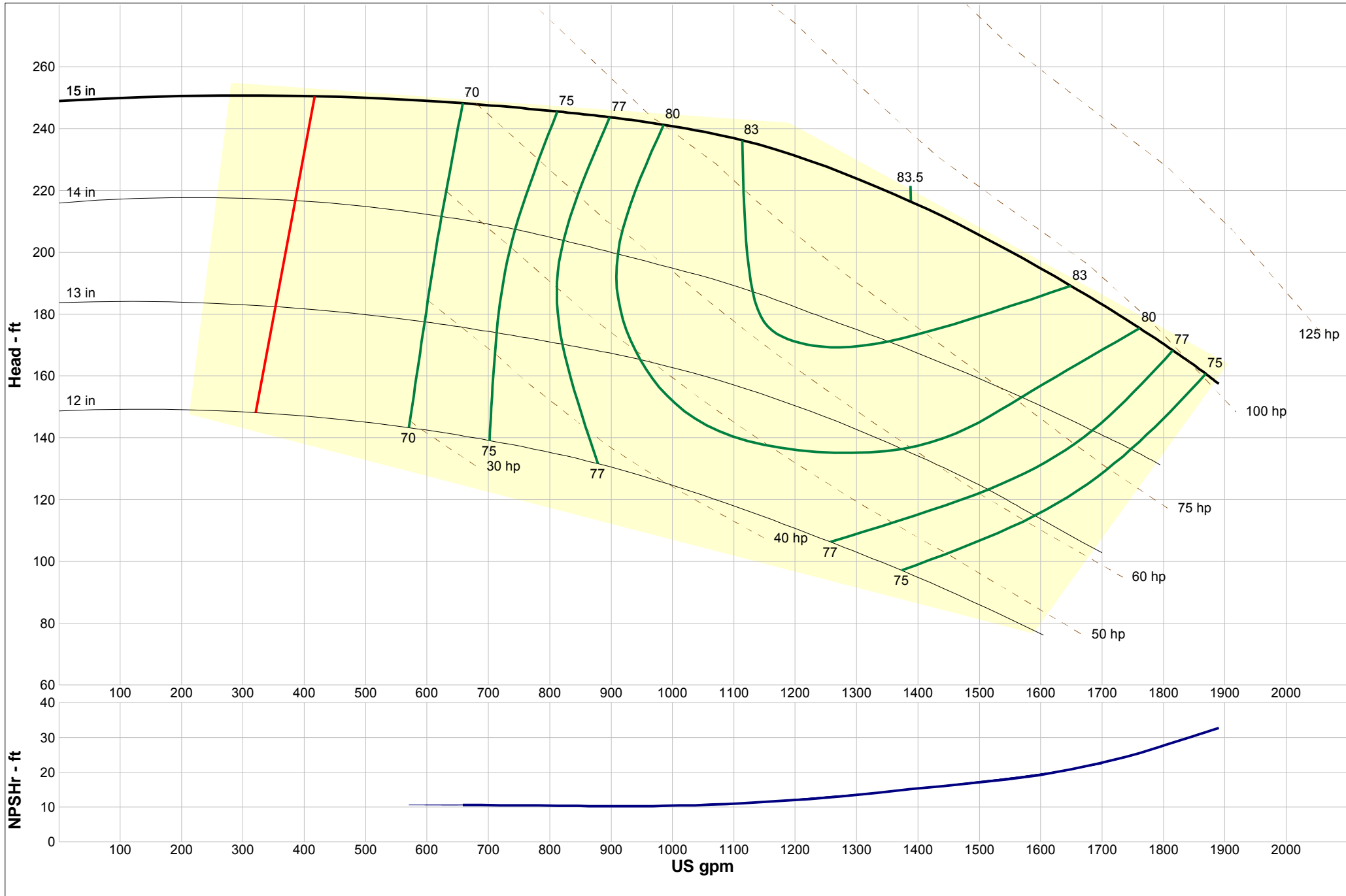
**Model: PCF4HS**  
**Speed: 1750 rpm**  
**Curve: 4HS4CI**





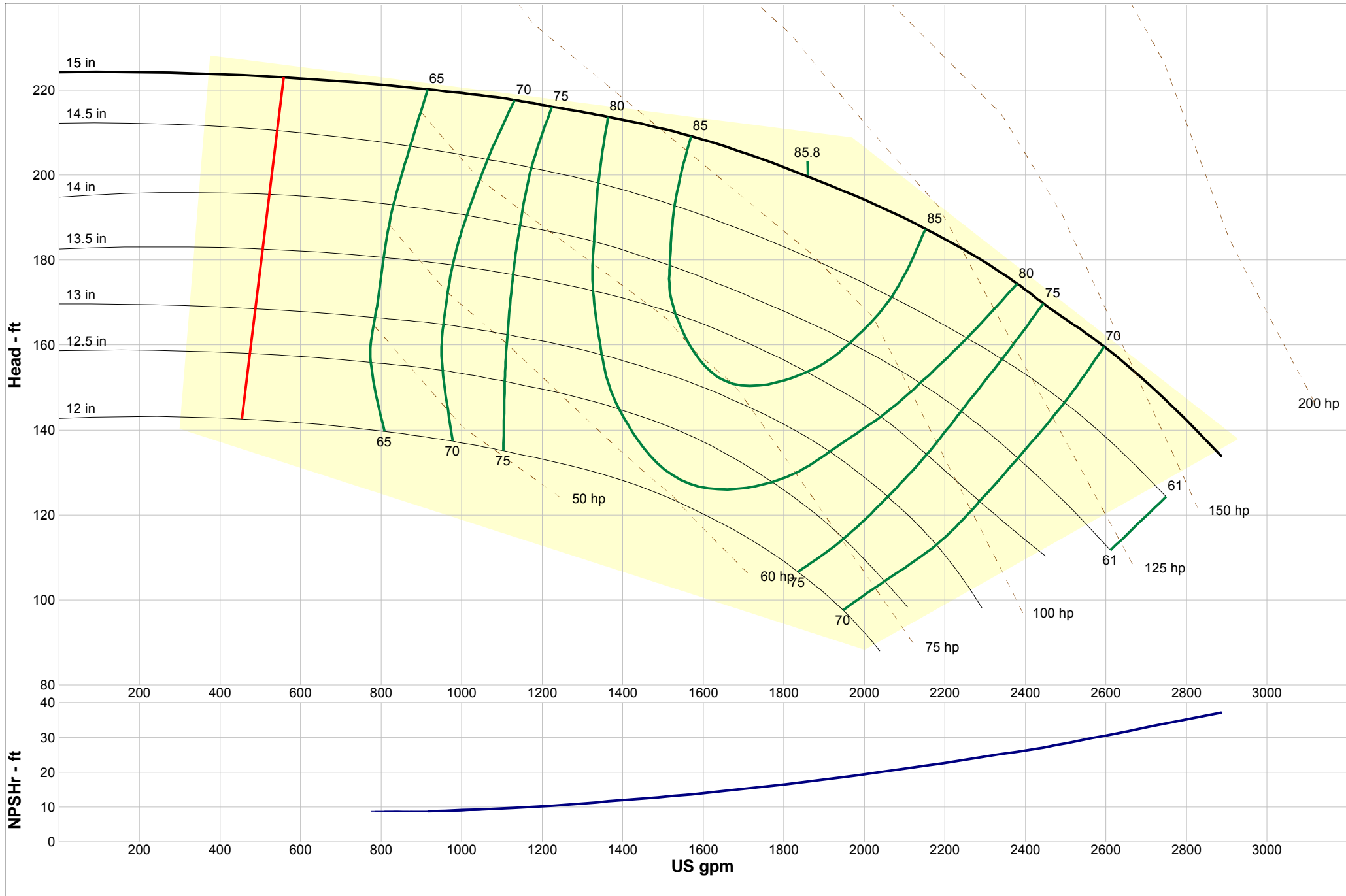
**Model: PCF6L**  
**Speed: 1750 rpm**  
**Curve: 6L4CI**





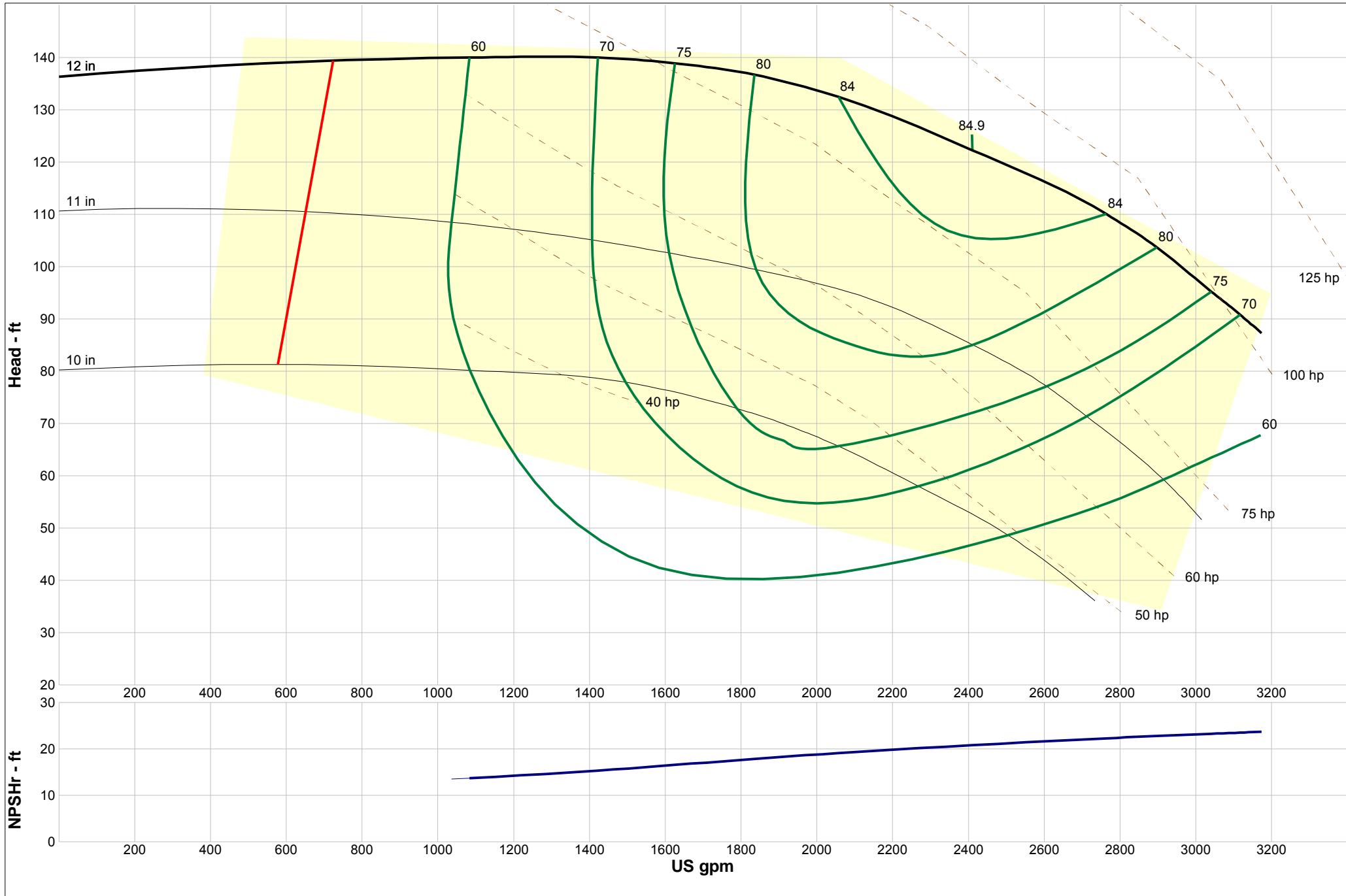
**Model: PCF6H**  
**Speed: 1750 rpm**  
**Curve: 6H4CI**





**Model: PCF6HS**  
**Speed: 1750 rpm**  
**Curve: 6HS4CI**

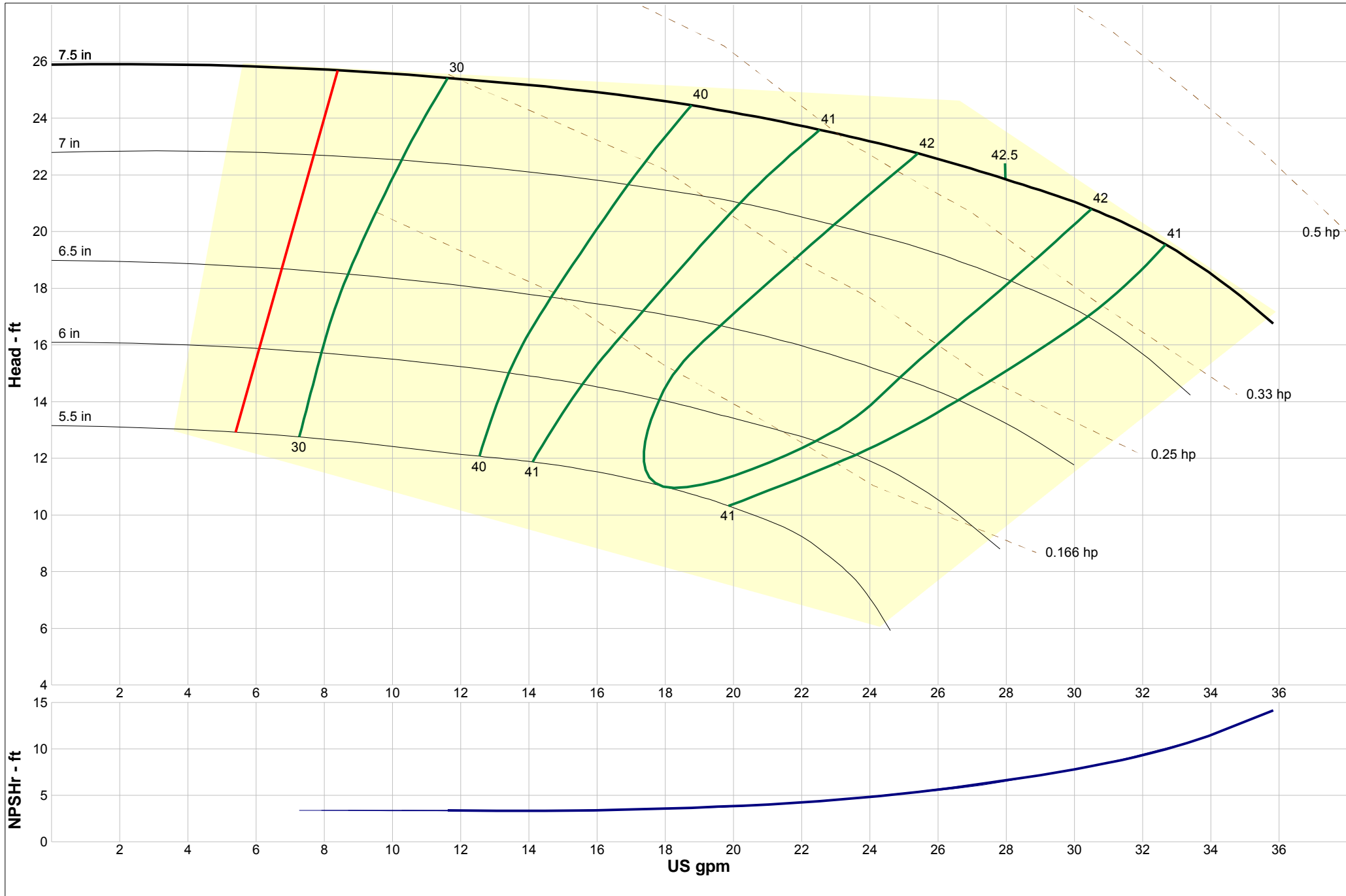




**Model: PCF8L**  
**Speed: 1750 rpm**  
**Curve: 8L4CI**

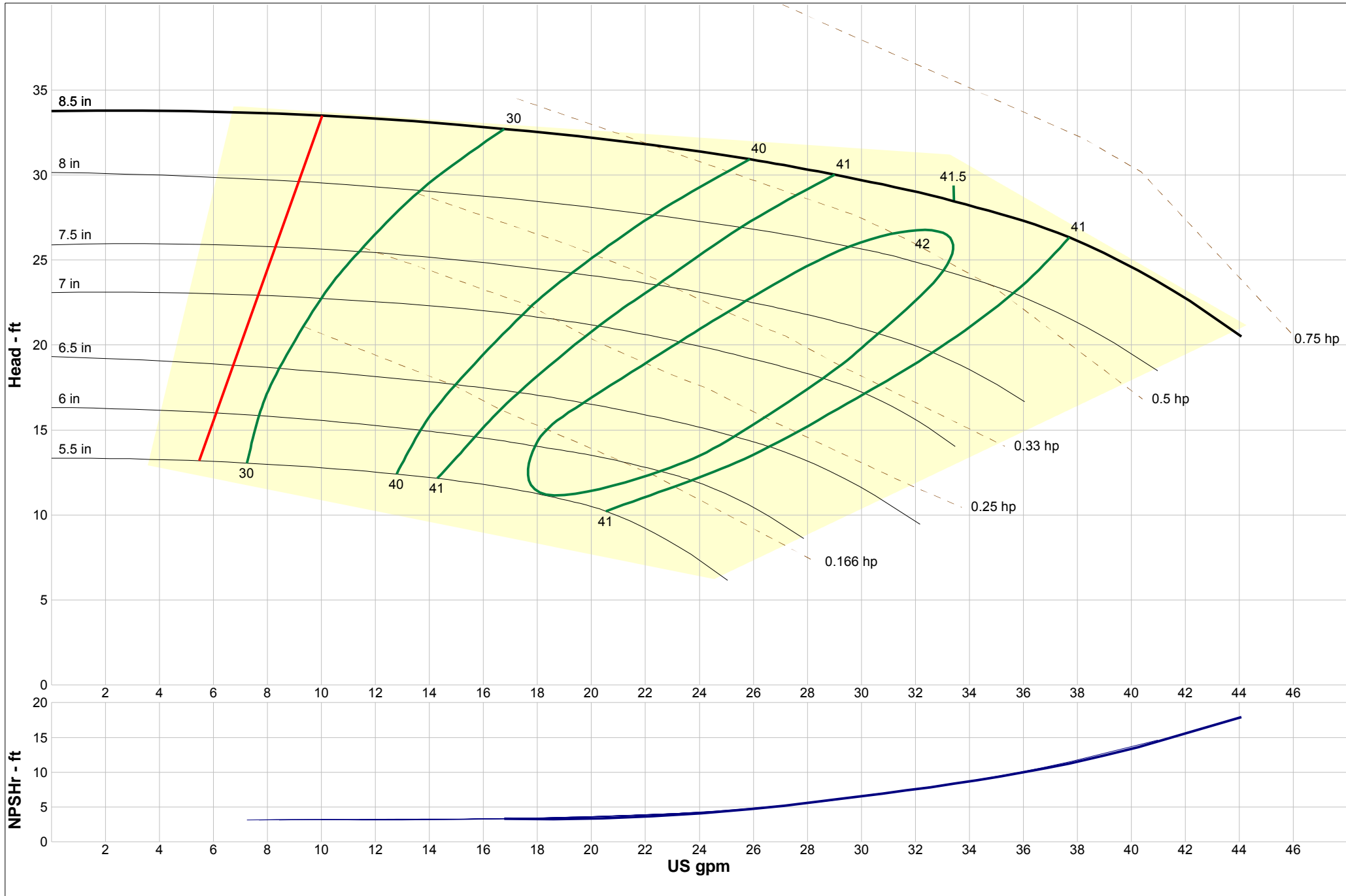






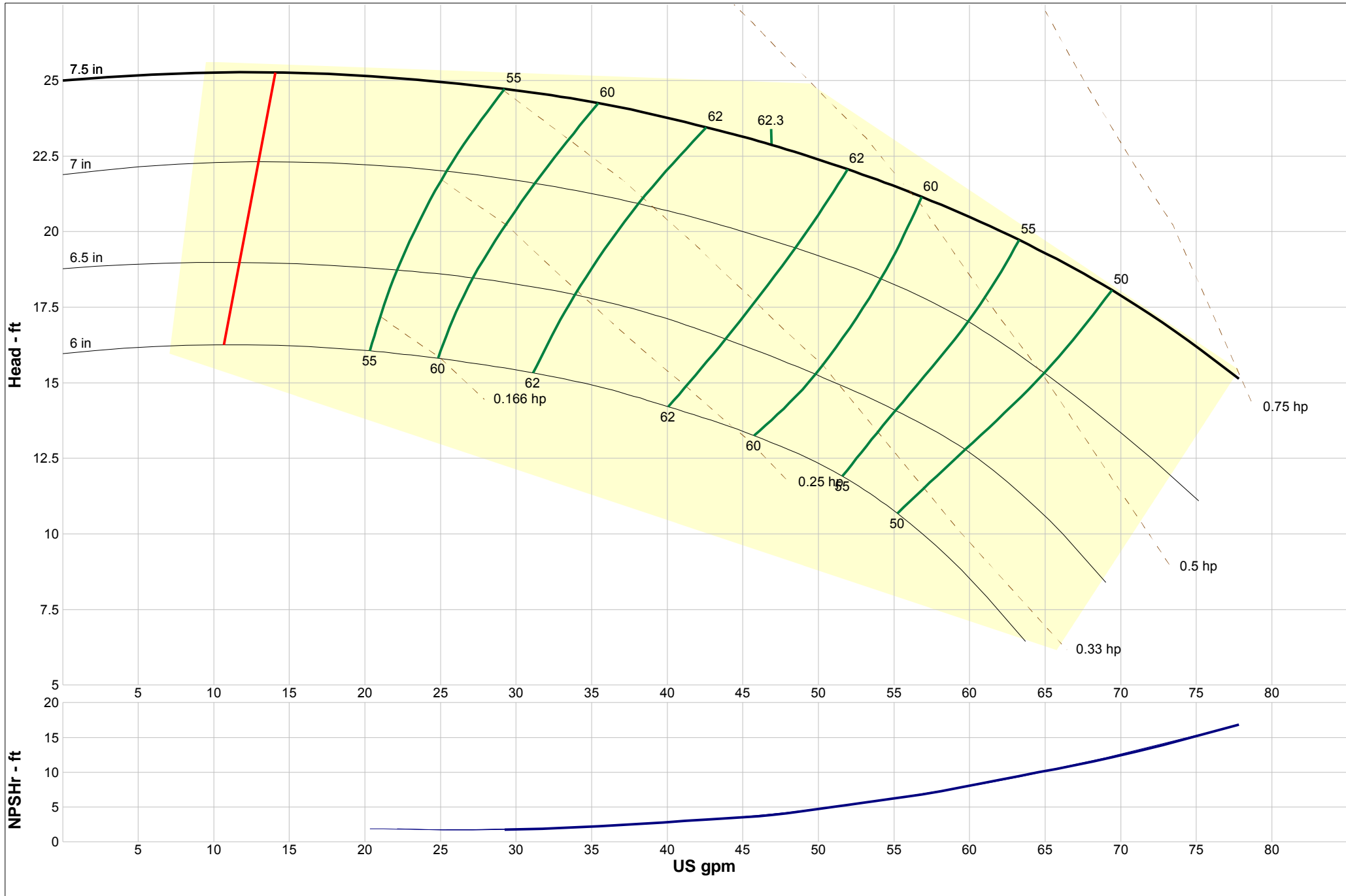
**Model: PCT1L**  
**Speed: 1170 rpm**  
**Curve: 1L6CI**





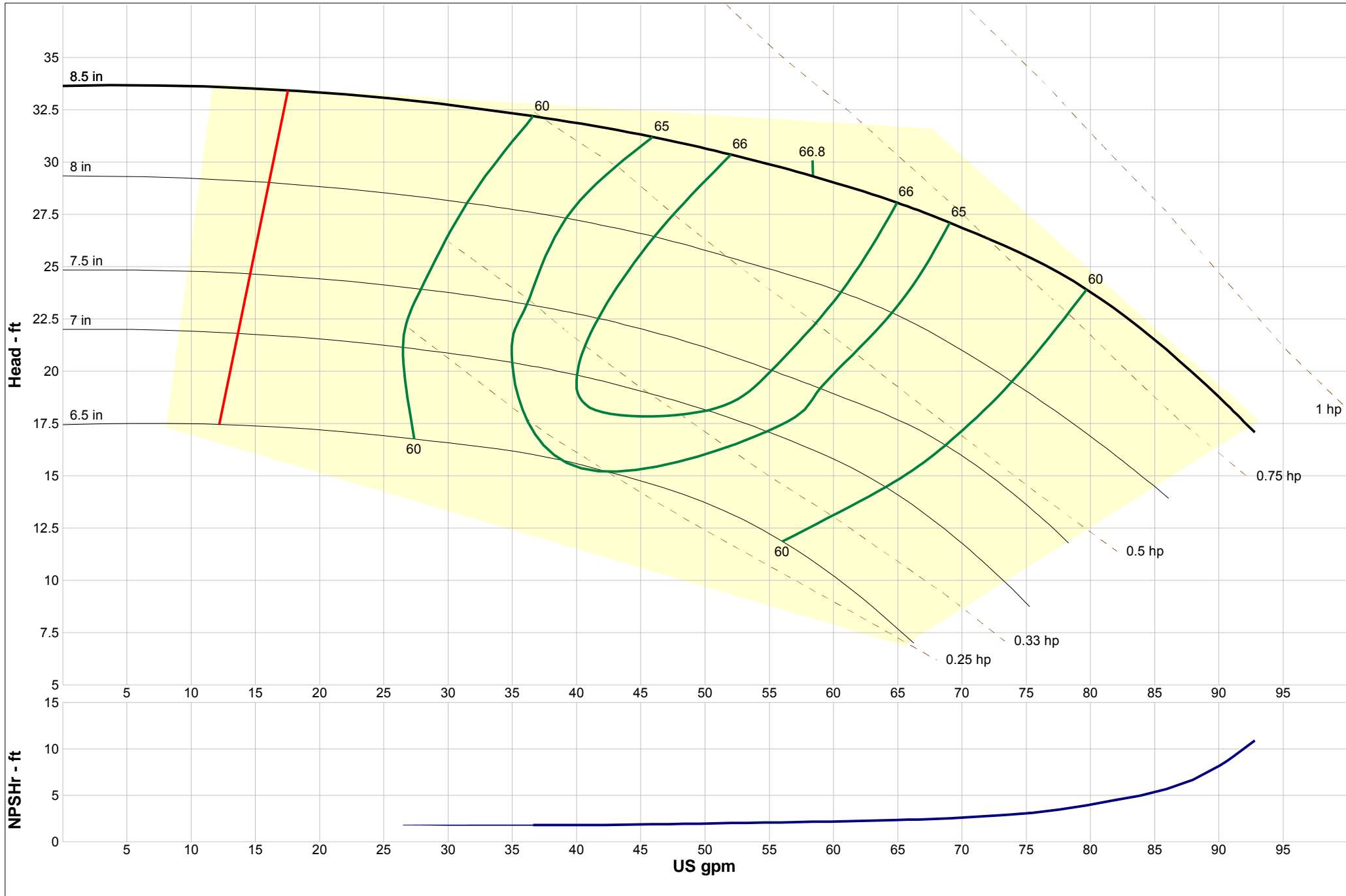
**Model: PCT1H**  
**Speed: 1170 rpm**  
**Curve: 1H6CI**





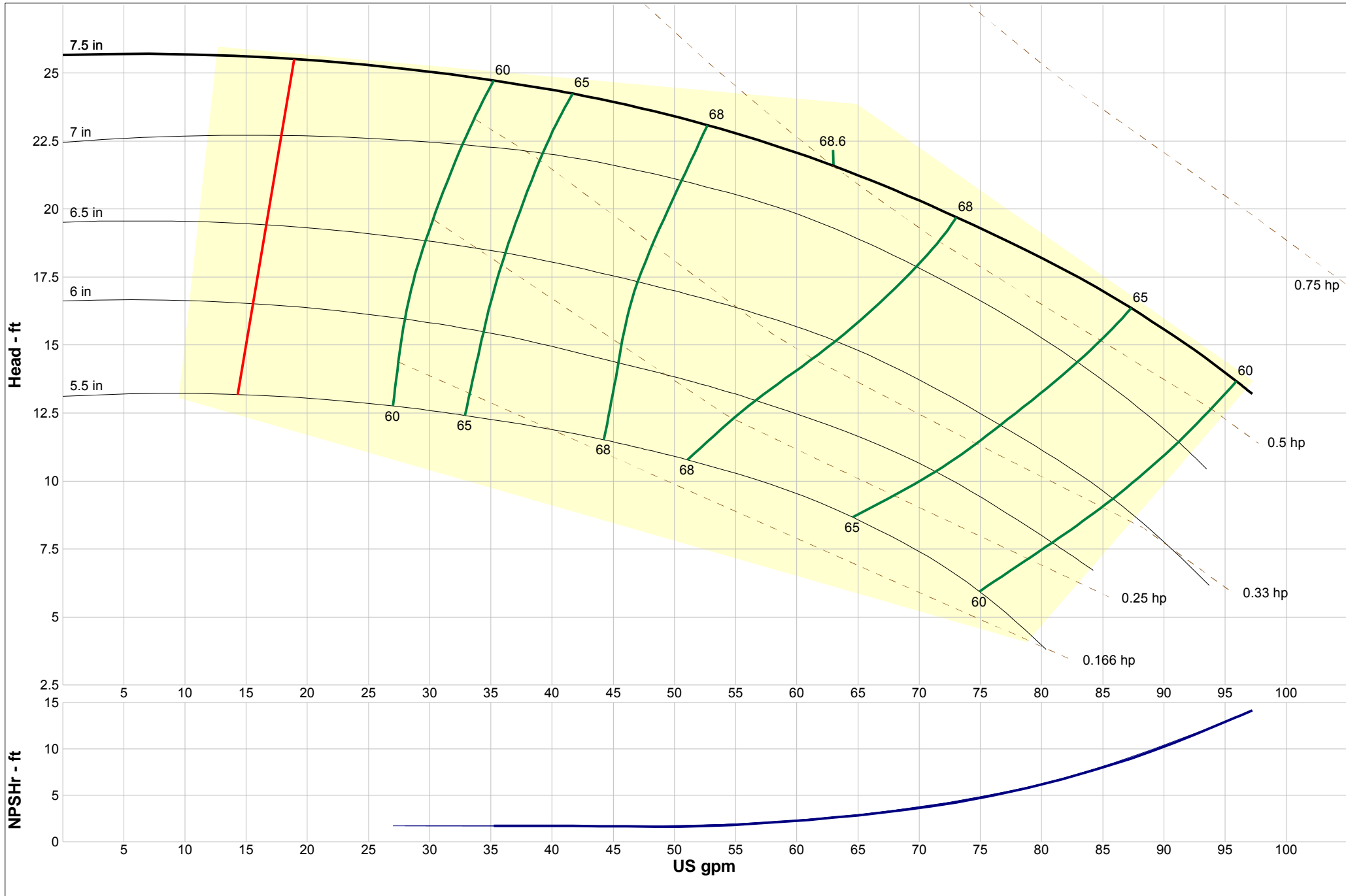
**Model: PCT1-1/4L**  
**Speed: 1170 rpm**  
**Curve: 1-1/4L6CI**





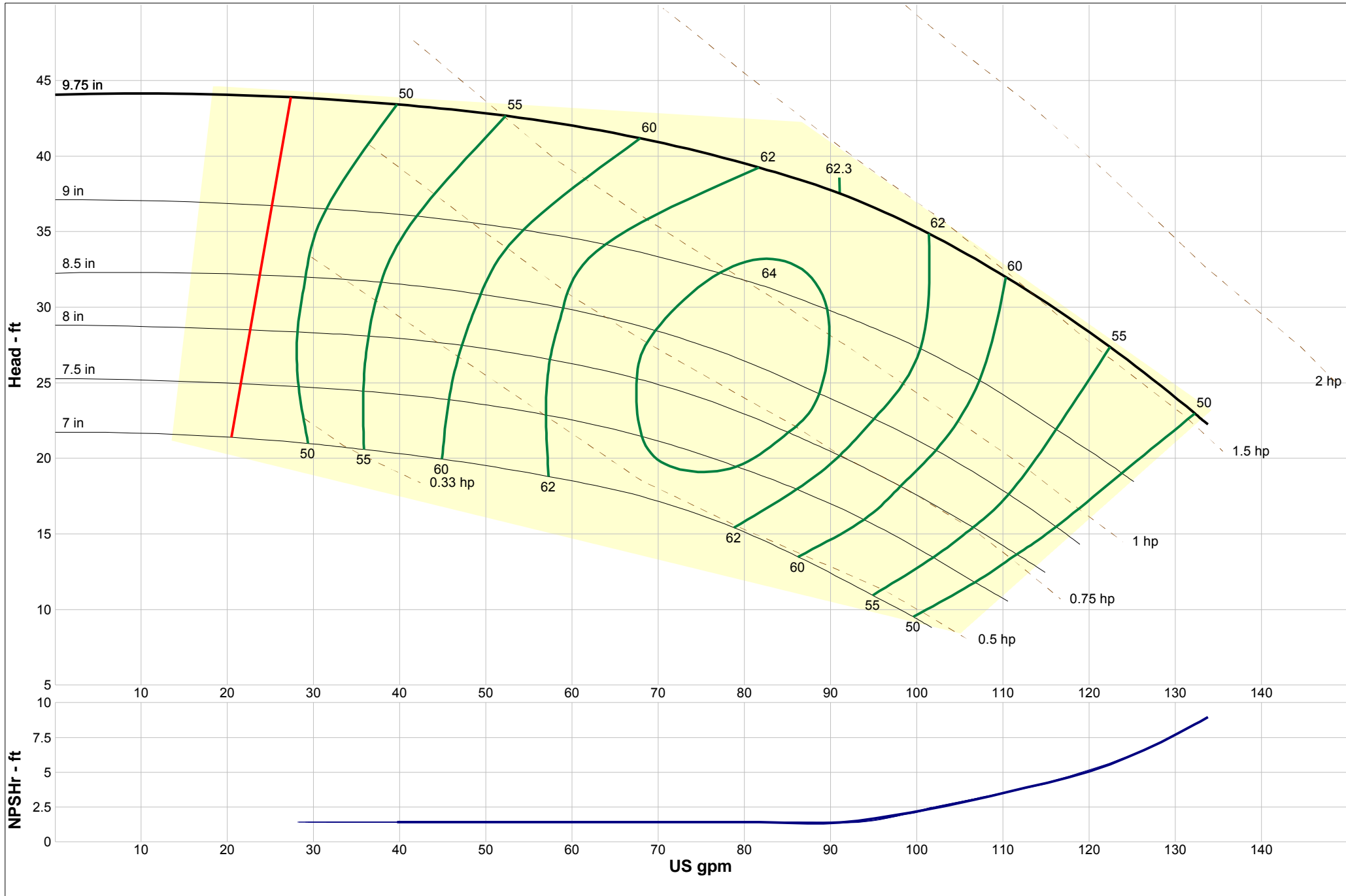
**Model: PCT1-1/4H**  
**Speed: 1170 rpm**  
**Curve: 1-1/4H6CI**





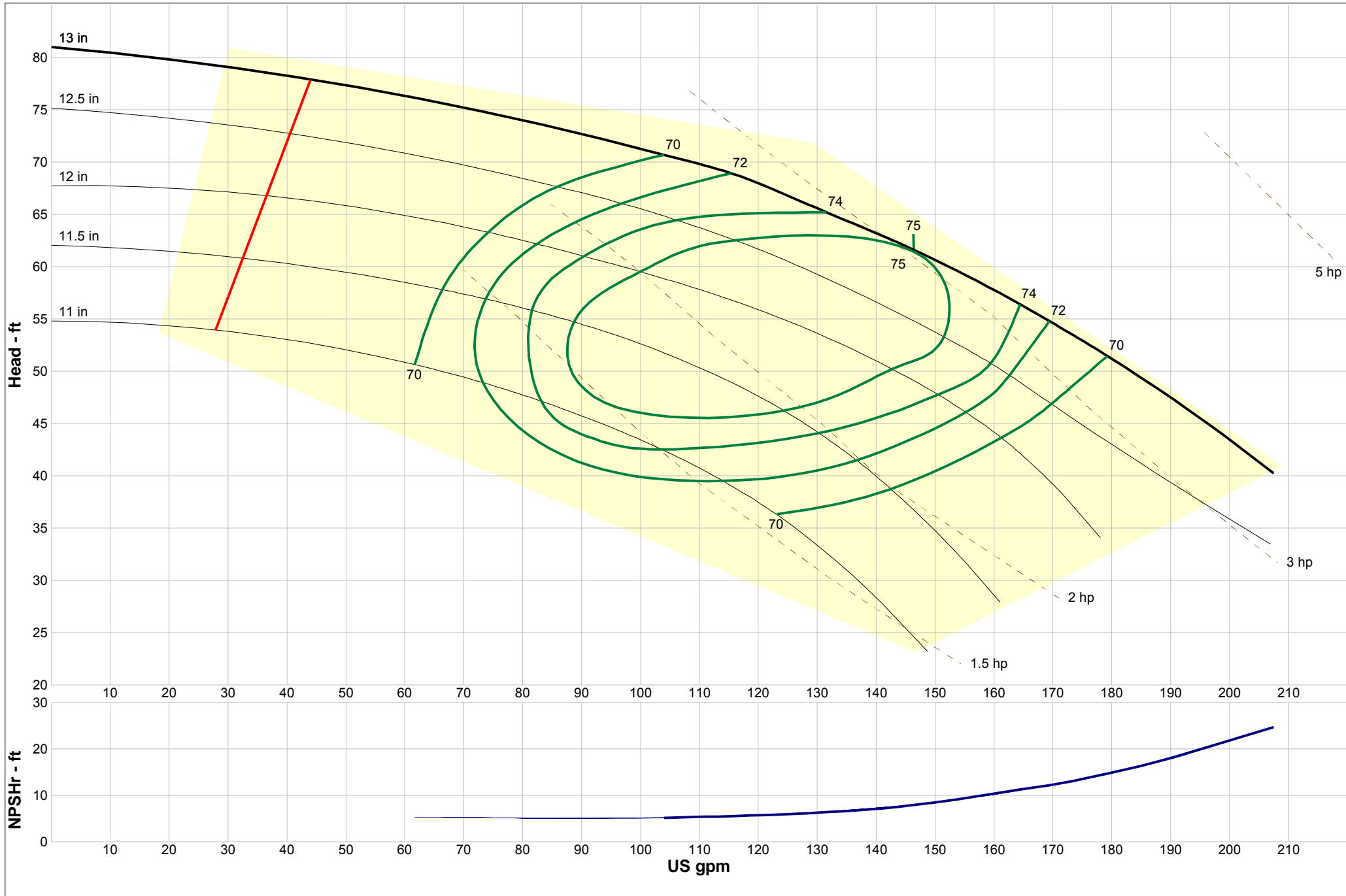
**Model: PCT1-1/2L**  
**Speed: 1170 rpm**  
**Curve: 1-1/2L6CI**





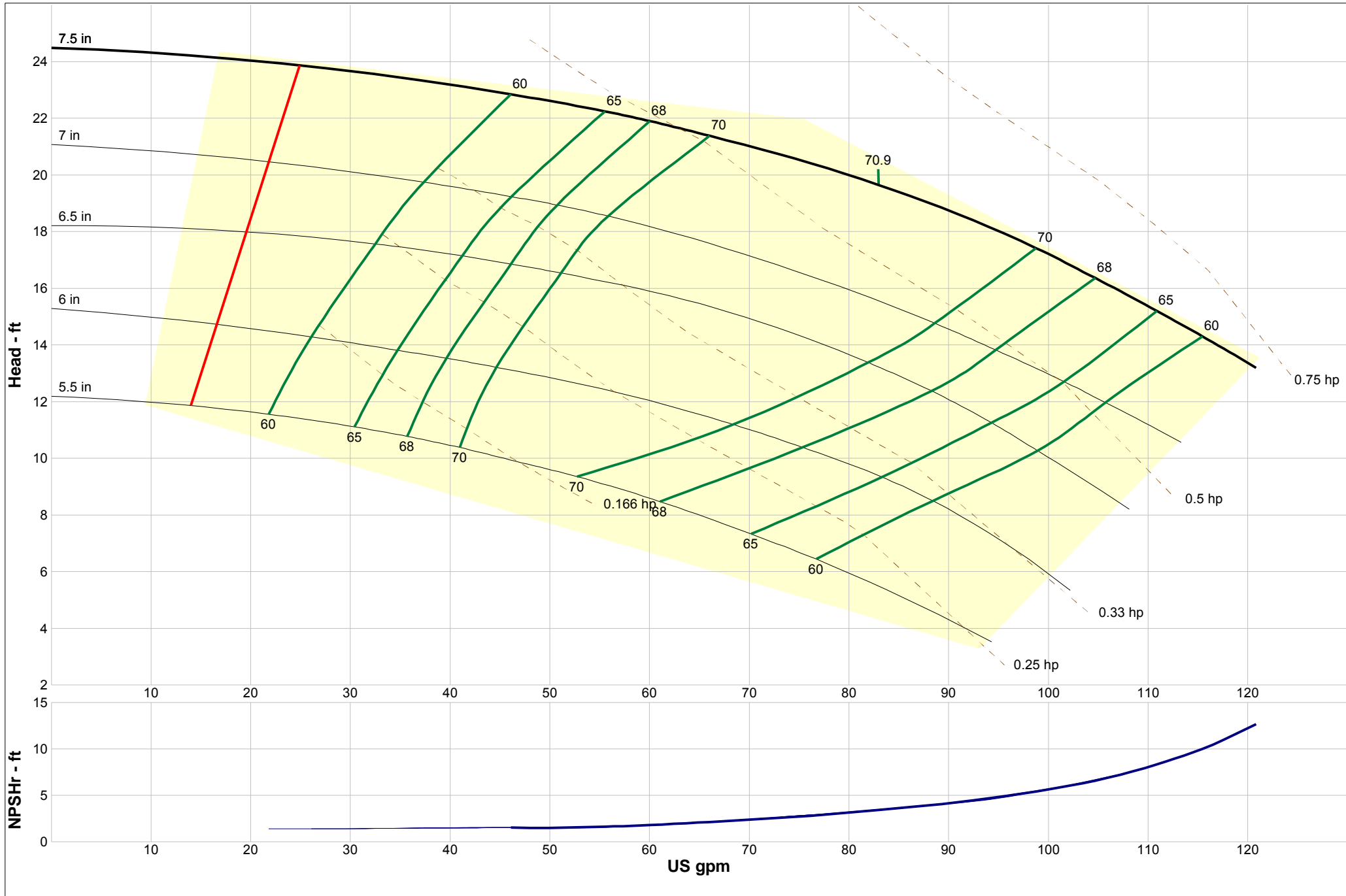
**Model: PCT1-1/2H**  
**Speed: 1170 rpm**  
**Curve: 1-1/2H6CI**





**Model: PCT1-1/2HS**  
**Speed: 1170 rpm**  
**Curve: 1-1/2HS6CI**

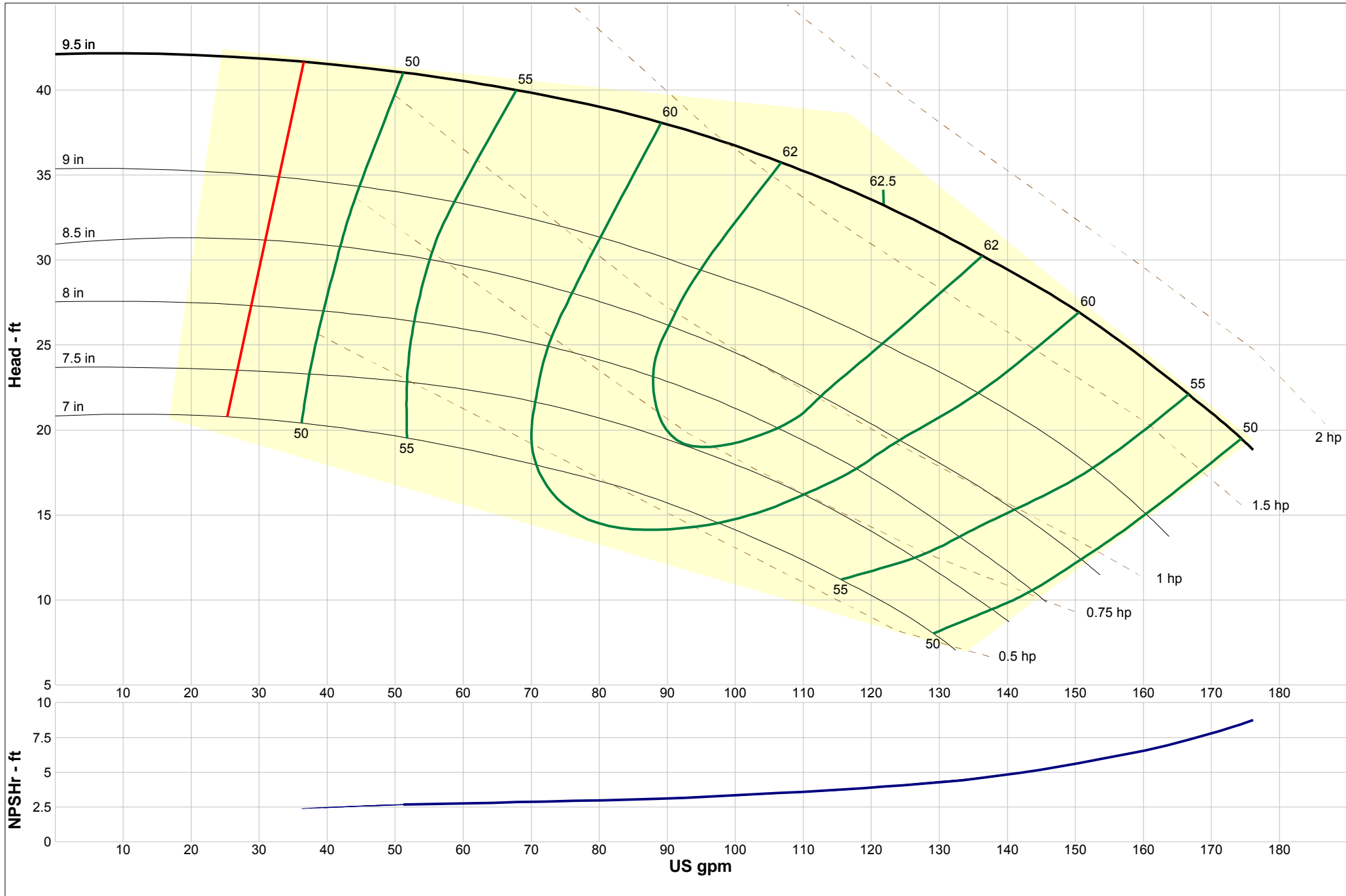




**Model: PCT2L**  
**Speed: 1170 rpm**  
**Curve: 2L6CI**

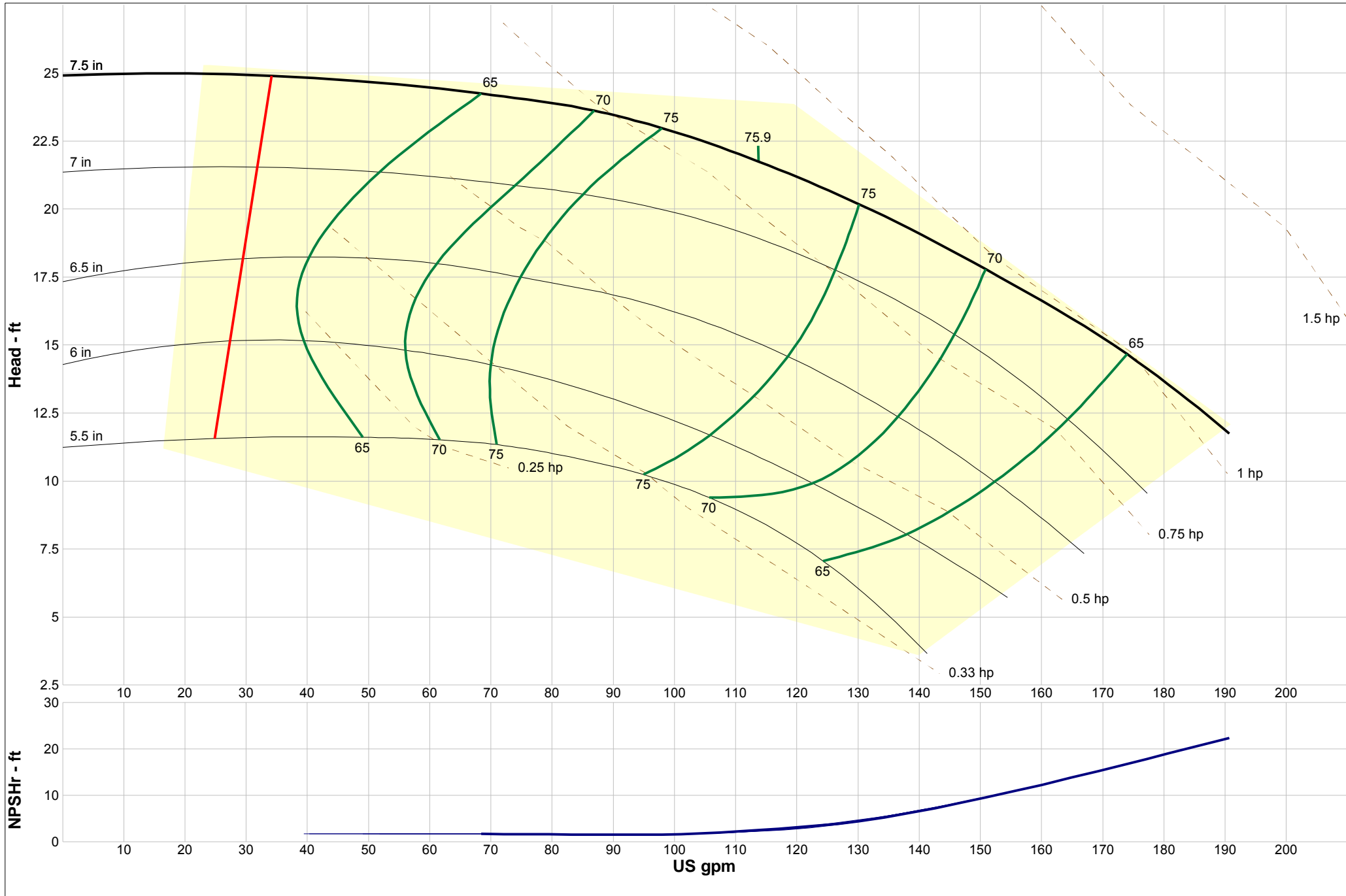






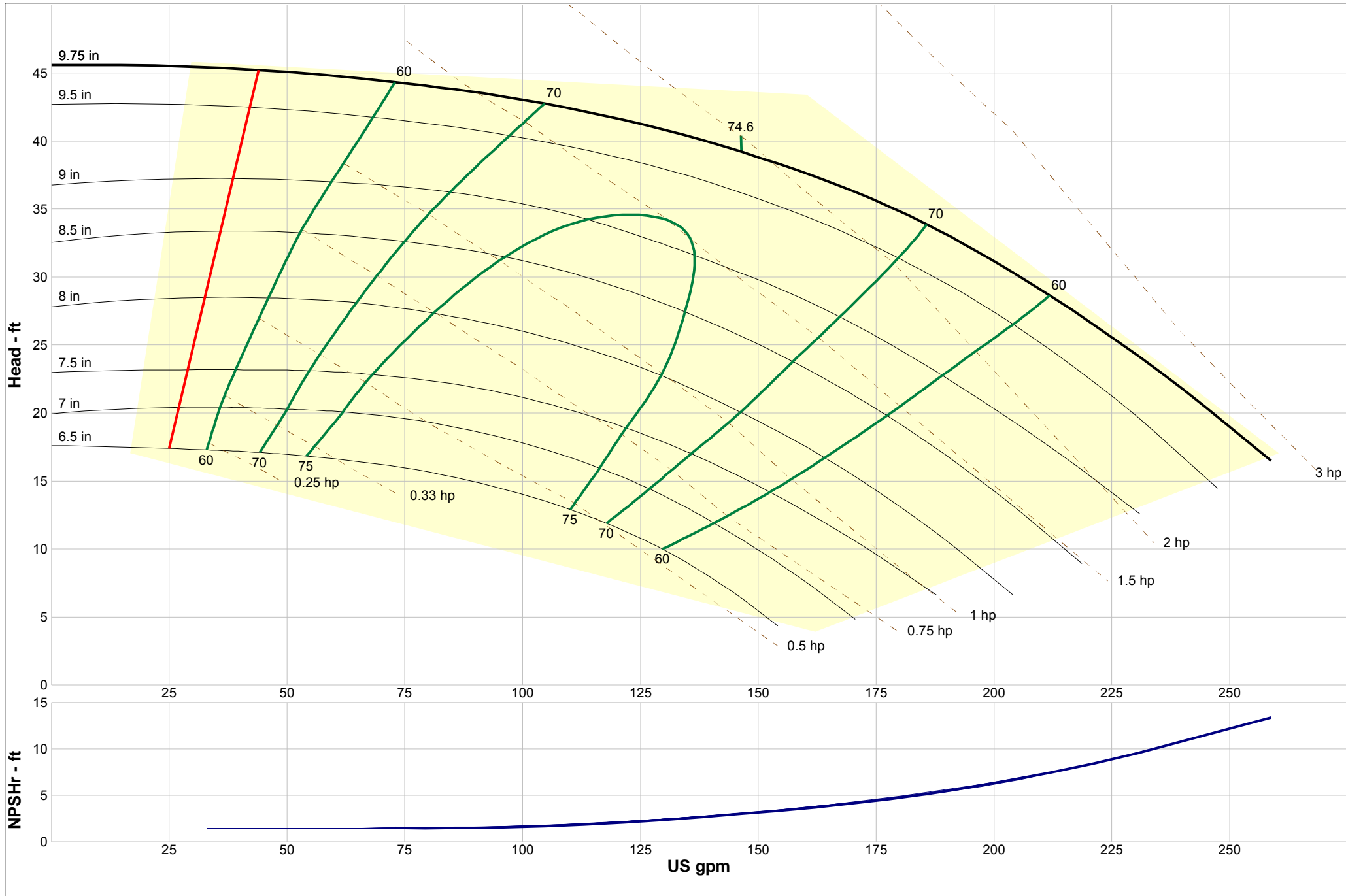
**Model: PCT2H**  
**Speed: 1170 rpm**  
**Curve: 2H6CI**





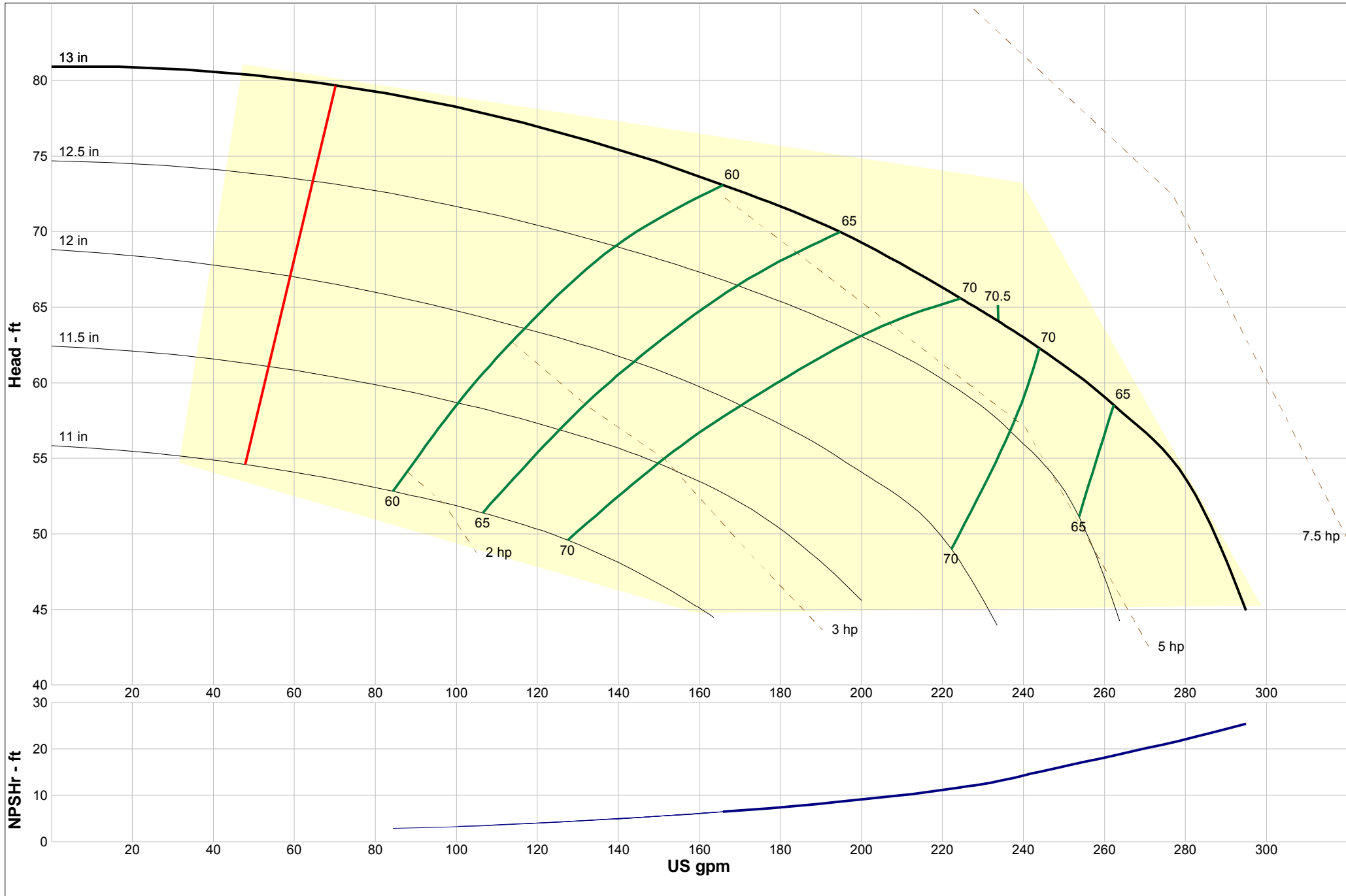
**Model: PCT2-1/2L**  
**Speed: 1170 rpm**  
**Curve: 2-1/2L6CI**





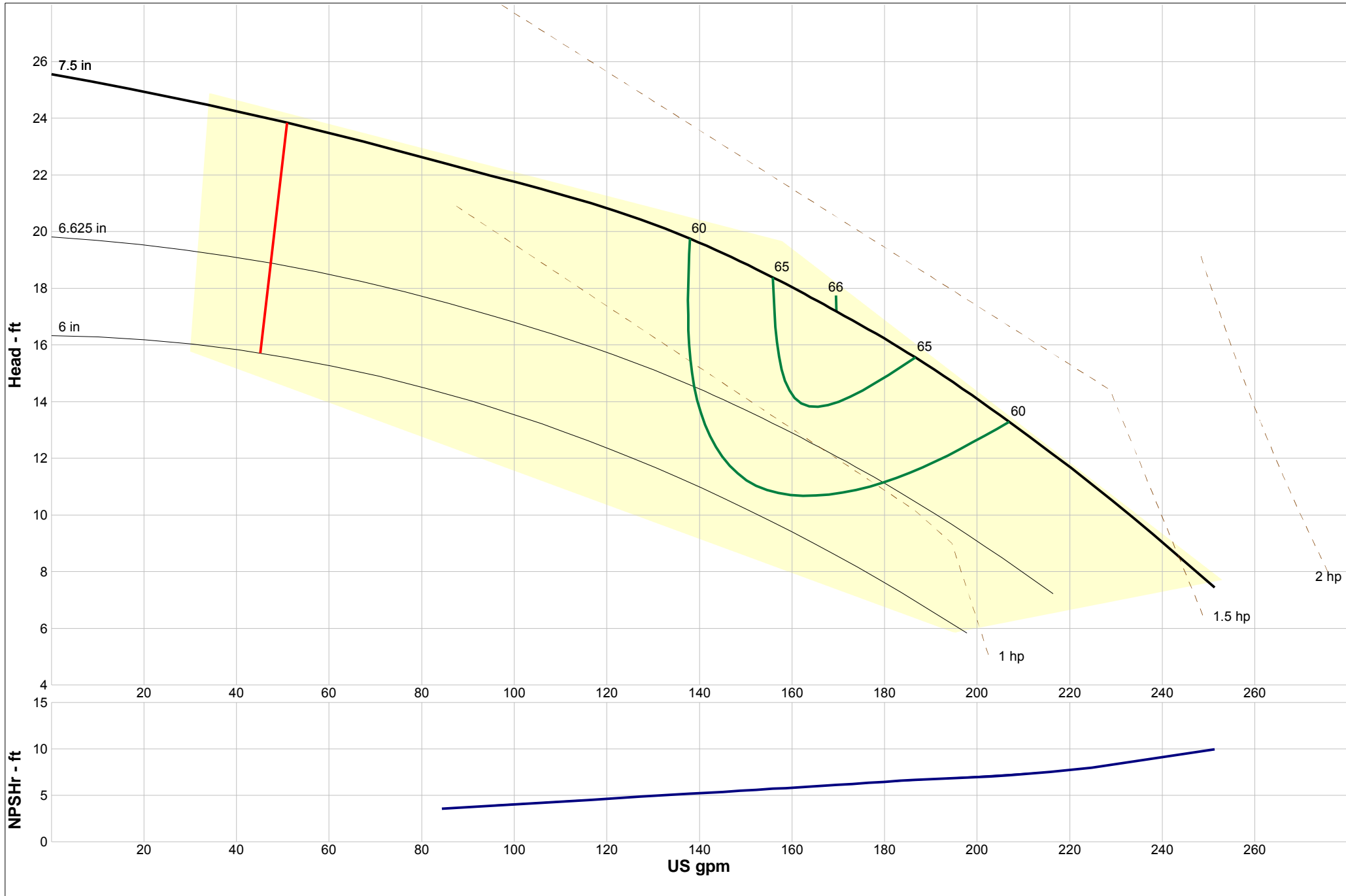
**Model: PCF2-1/2H**  
**Speed: 1170 rpm**  
**Curve: 2-1/2H6CI**





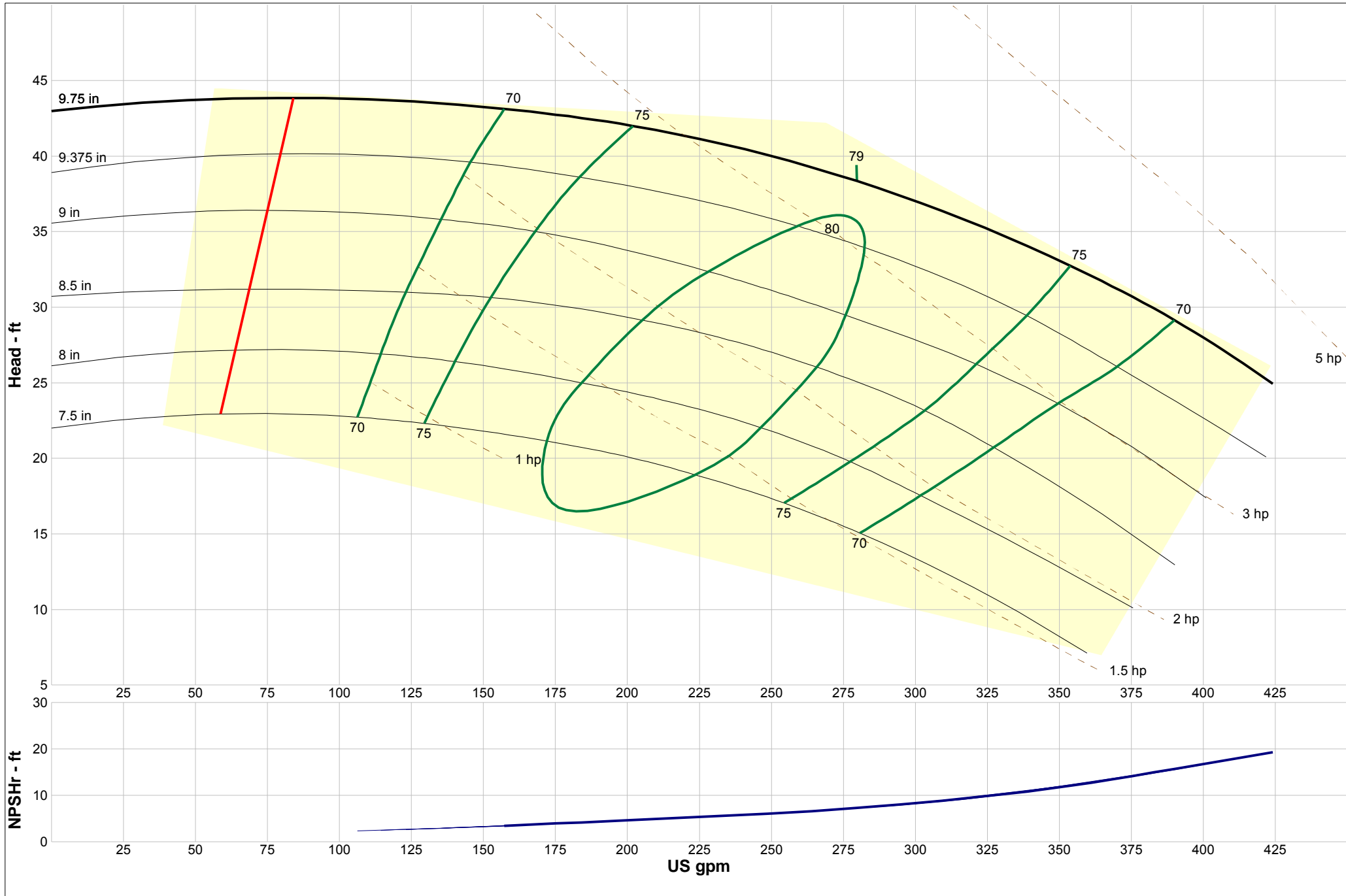
**Model: PCF2-1/2HS**  
**Speed: 1170 rpm**  
**Curve: 2-1/2HS6CI**





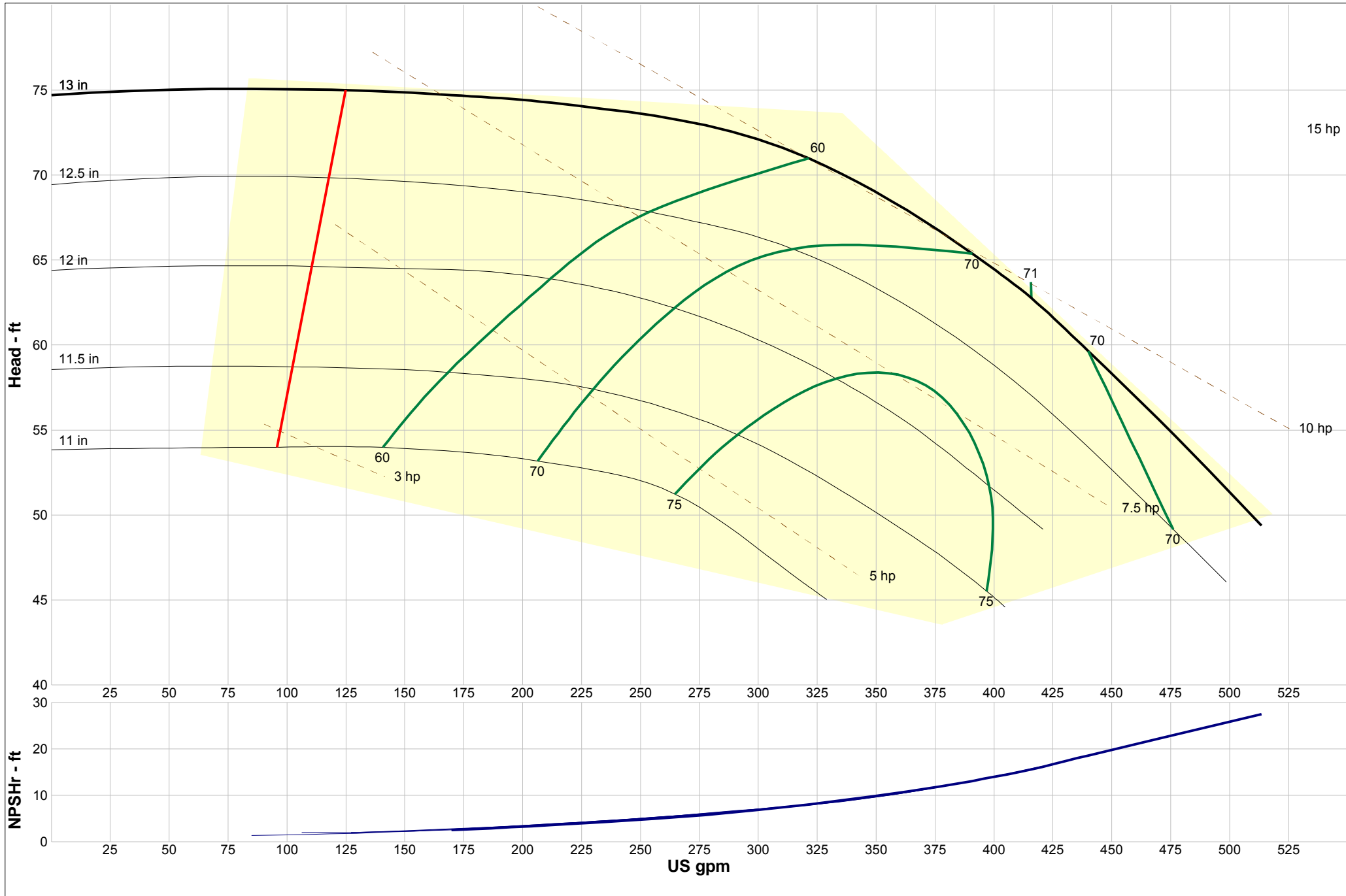
**Model: PCF3LB**  
**Speed: 1170 rpm**  
**Curve: 3LB6CI**





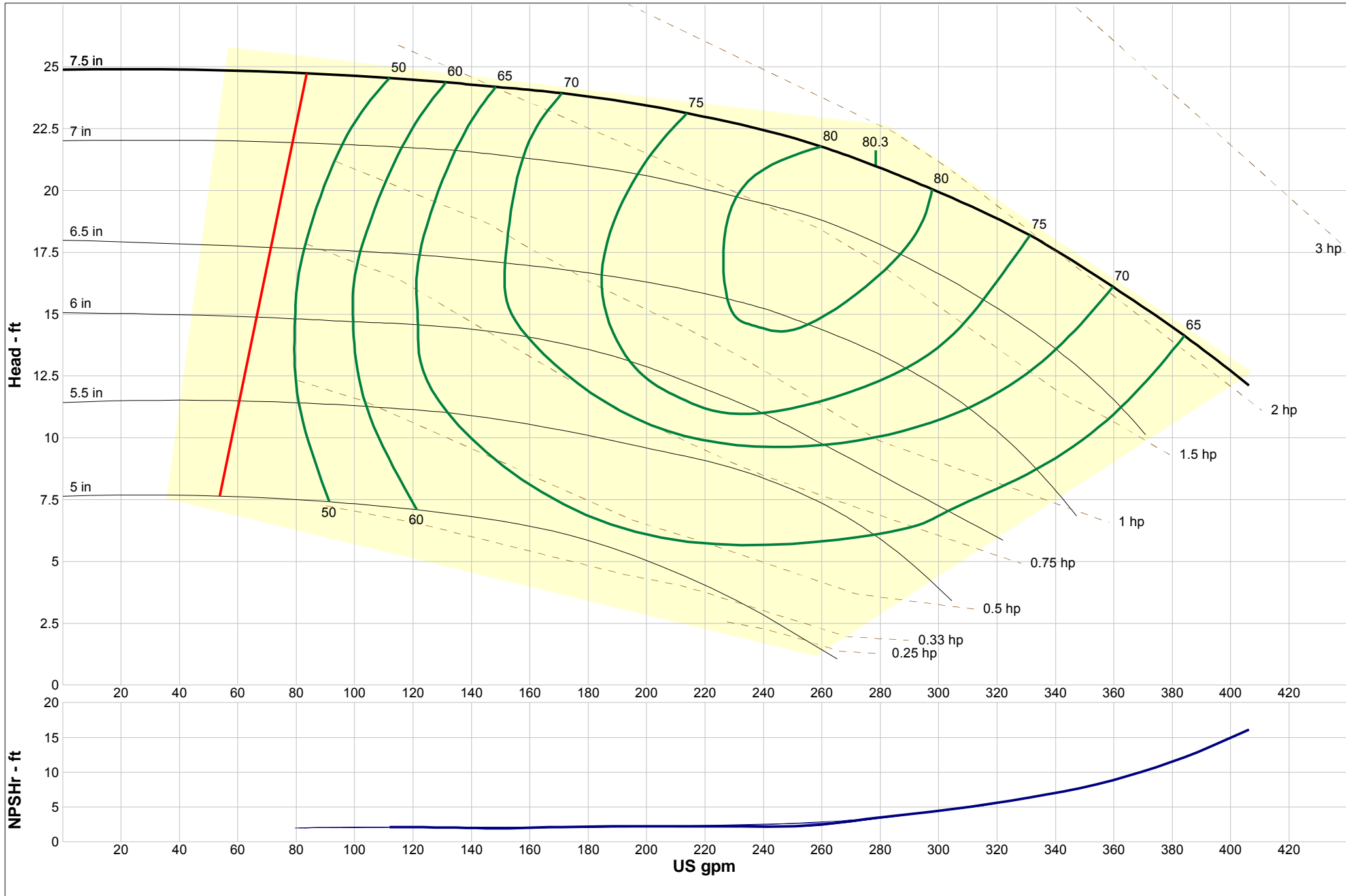
**Model: PCF3H**  
**Speed: 1170 rpm**  
**Curve: 3H6CI**





**Model: PCF3HS**  
**Speed: 1170 rpm**  
**Curve: 3HS6CI**

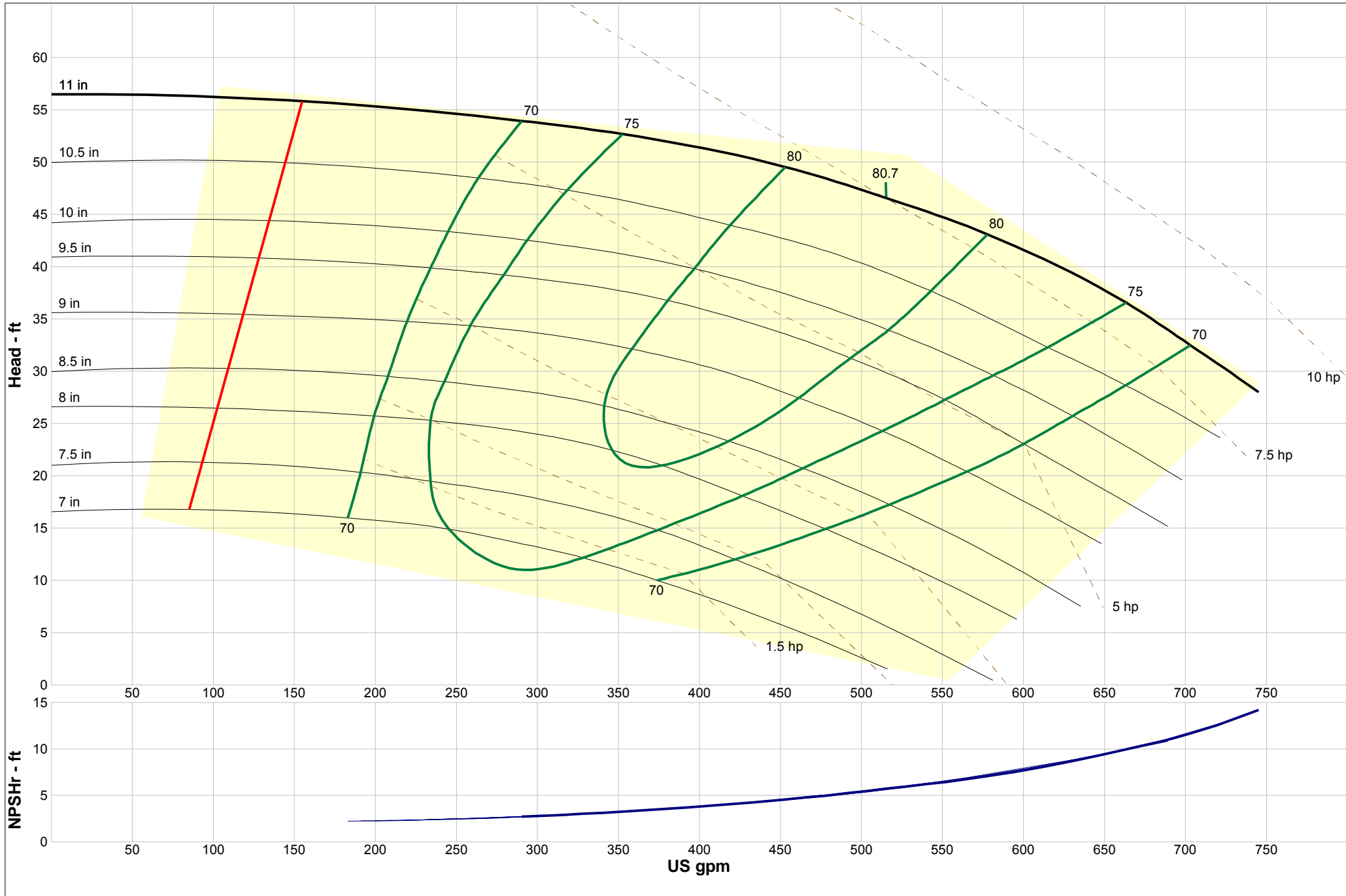




**Model: PCF4L**  
**Speed: 1170 rpm**  
**Curve: 4L6C1**

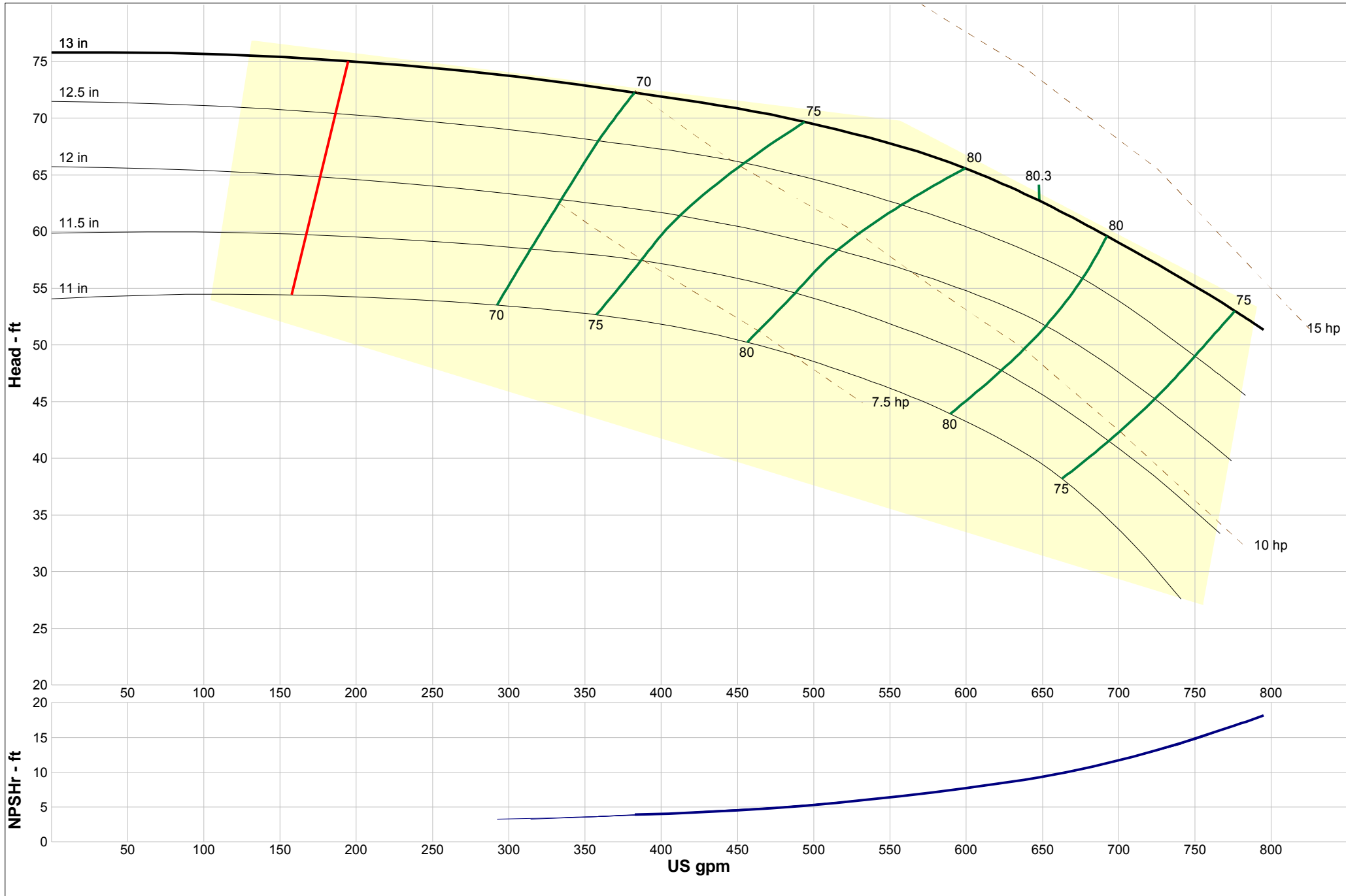






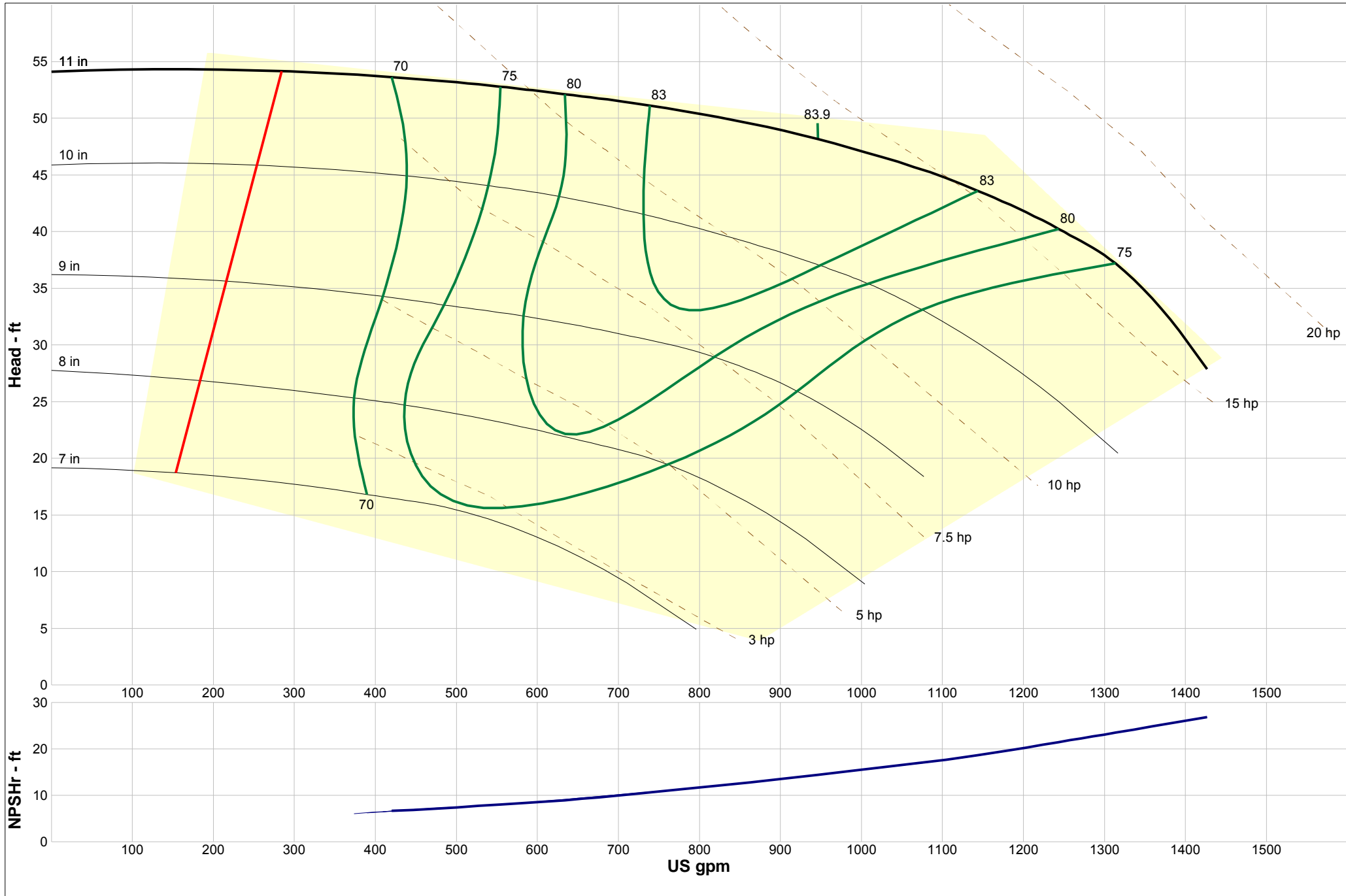
**Model: PCF4H**  
**Speed: 1170 rpm**  
**Curve: 4H6CI**





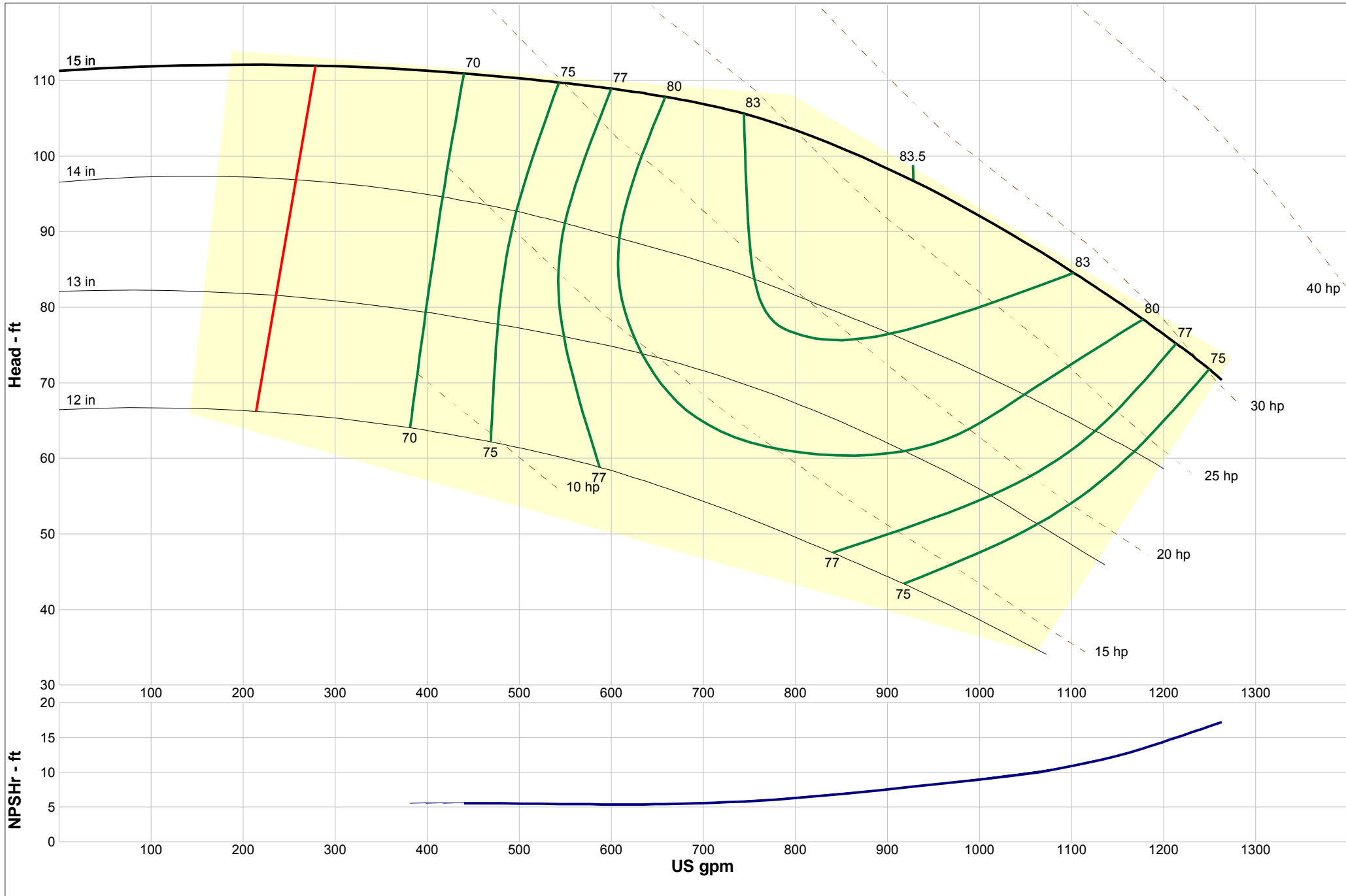
**Model: PCF4HS**  
**Speed: 1170 rpm**  
**Curve: 4HS6CI**





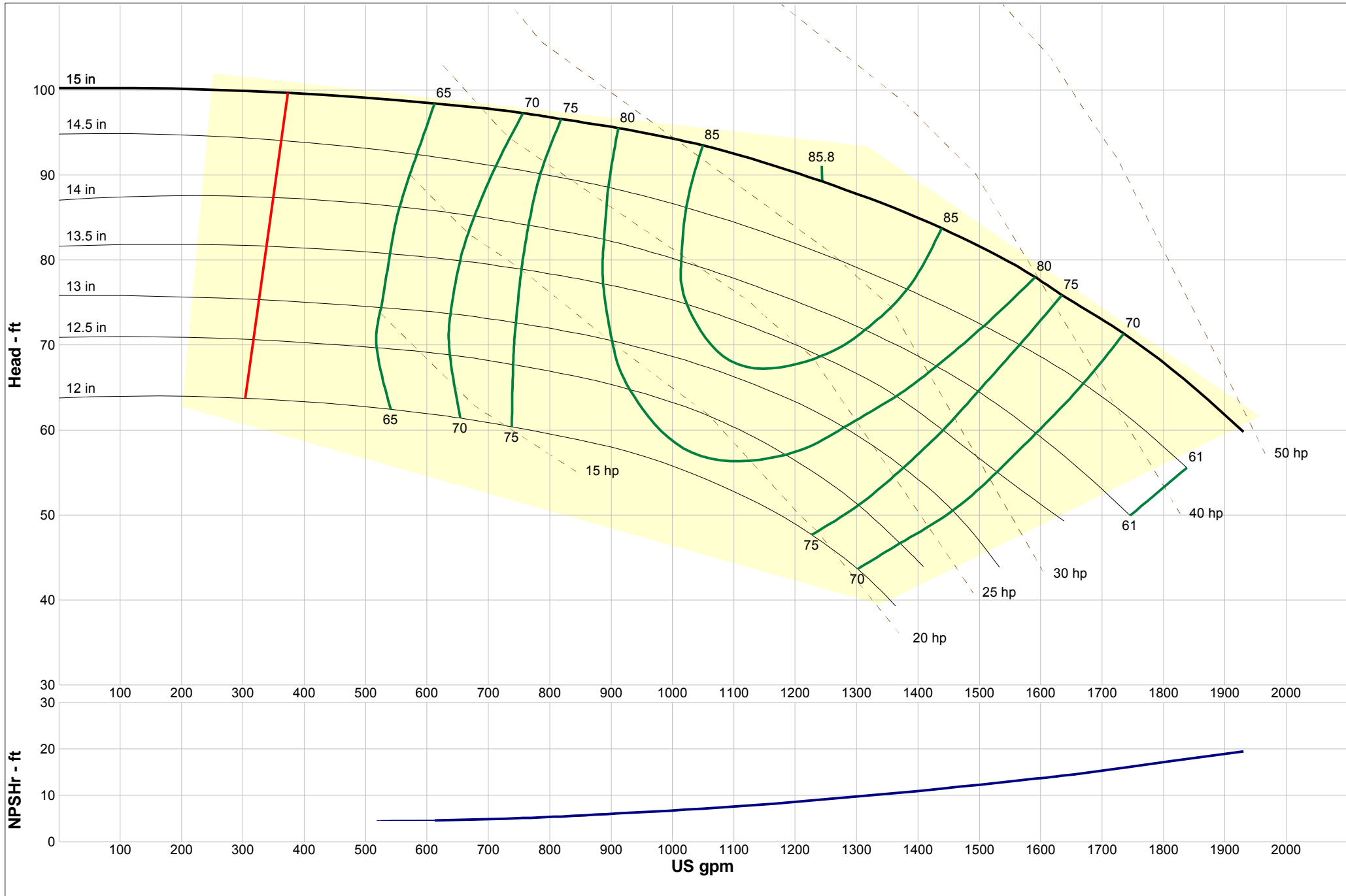
**Model: PCF6L**  
**Speed: 1170 rpm**  
**Curve: 6L6C1**





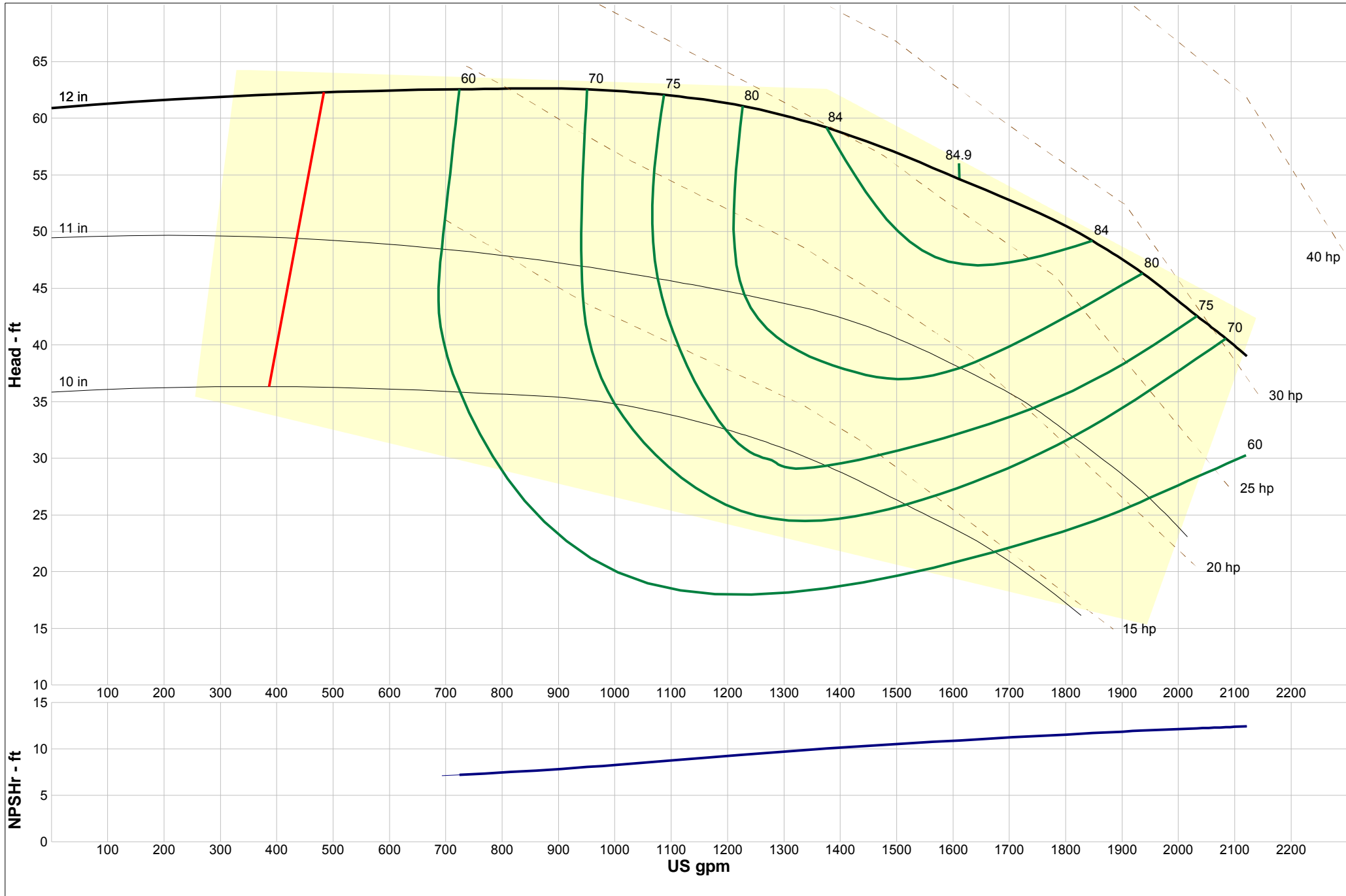
**Model: PCF6H**  
**Speed: 1170 rpm**  
**Curve: 6H6CI**





**Model: PCF6HS**  
**Speed: 1170 rpm**  
**Curve: 6HS6CI**





**Model: PCF8L**  
**Speed: 1170 rpm**  
**Curve: 8L6CI-B**

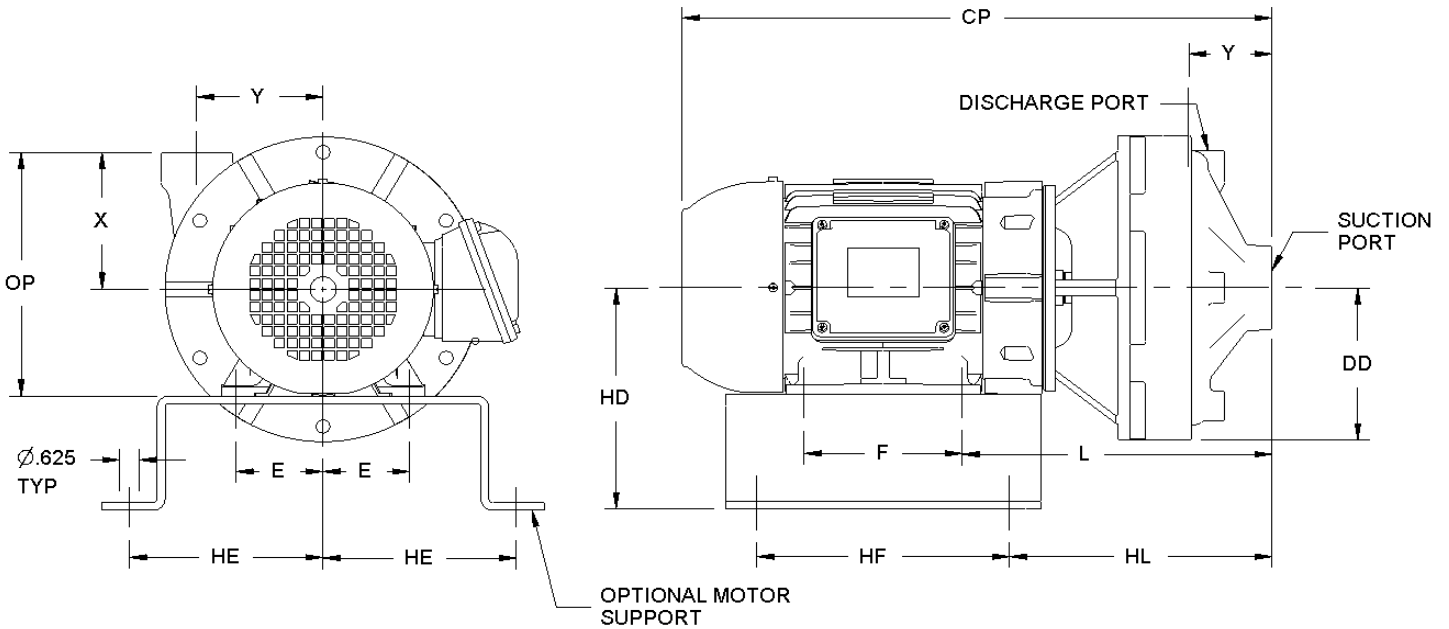




# SERIES PC - DIMENSIONAL OUTLINE

## Model - PCT-1L

Customer - \_\_\_\_\_  
 Customer Ref. - \_\_\_\_\_ Our Ref. - \_\_\_\_\_  
 HP - \_\_\_\_\_ RPM - \_\_\_\_\_ Voltage - \_\_\_\_\_ Encl. - \_\_\_\_\_  
 Certified - \_\_\_\_\_ Date - \_\_\_\_\_



DISCHARGE PORT: 1" FNPT

SUCTION PORT: 1-1/4" FNPT

MOTOR FRAME	DIMENSIONS									OPTIONAL				WEIGHT (lbs)	
	CP*	L	F	E	OP	DD	X	Y	Z	HD	HE	HF	HL	PUMP	MOTOR
143	17.0	9.44	4.00	2.75	8.00	4.88	4.50	2.62	4.62	7.25	6.25	8.00	7.94	50	50
145	18.0	9.44	5.00	2.75	8.00	4.88	4.50	2.62	4.62	7.25	6.25	8.00	7.94	50	55
182	19.0	9.94	4.50	3.75	9.00	4.88	4.50	2.62	4.62	8.25	6.25	8.00	7.94	50	90
184	20.0	9.94	5.50	3.75	9.00	4.88	4.50	2.62	4.62	8.25	6.25	8.00	7.94	50	100
213	21.5	10.69	5.50	4.25	9.75	4.88	4.50	2.62	4.62	9.75	8.38	14.00	8.19	50	150
215	23.0	10.69	7.00	4.25	9.75	4.88	4.50	2.62	4.62	9.75	8.38	14.00	8.19	50	160

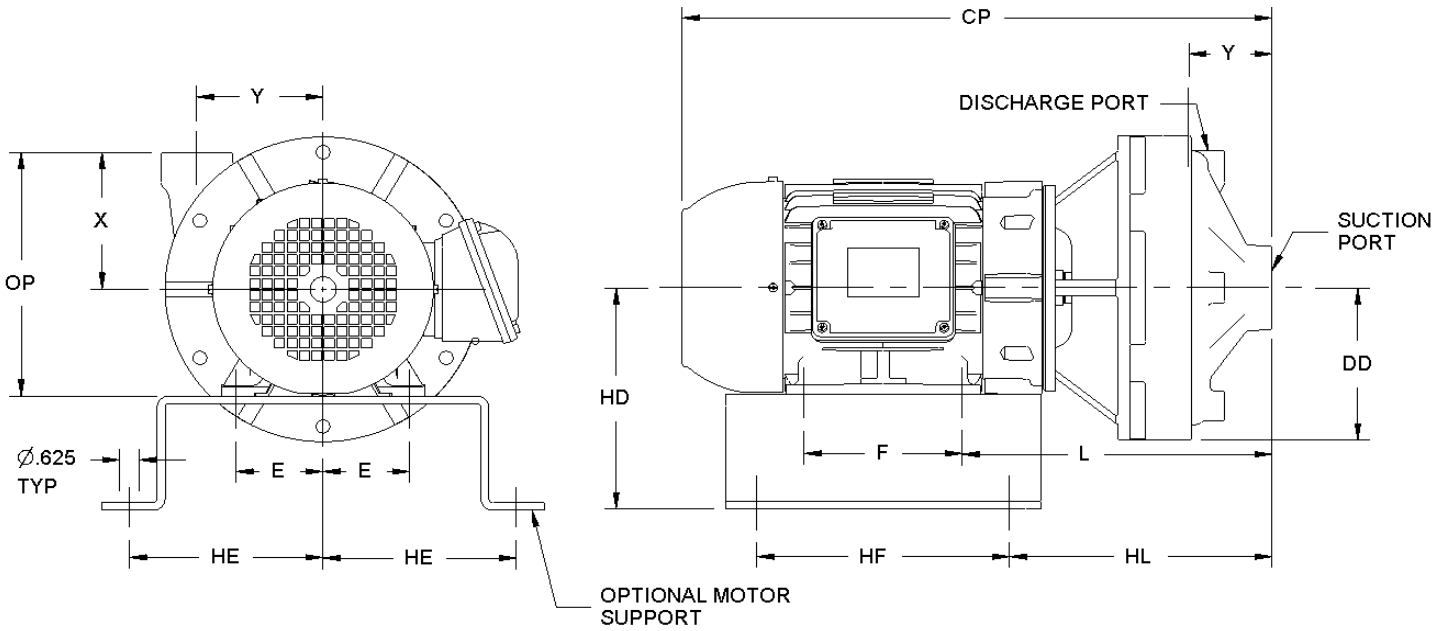
NOTES: - Not for construction purposes unless certified above  
 - All dimensions in inches  
 - some dimensions may vary +/- 0.25 inches  
 \* Approximate only



# SERIES PC - DIMENSIONAL OUTLINE

## Model - PCT-1.25L

Customer - \_\_\_\_\_  
 Customer Ref. - \_\_\_\_\_ Our Ref. - \_\_\_\_\_  
 HP - \_\_\_\_\_ RPM - \_\_\_\_\_ Voltage - \_\_\_\_\_ Encl. - \_\_\_\_\_  
 Certified - \_\_\_\_\_ Date - \_\_\_\_\_



DISCHARGE PORT: 1-1/4" FNPT

SUCTION PORT: 1-1/2" FNPT

MOTOR FRAME	DIMENSIONS									OPTIONAL				WEIGHT (lbs)	
	CP*	L	F	E	OP	DD	X	Y	Z	HD	HE	HF	HL	PUMP	MOTOR
143	17.5	11.00	4.00	2.75	8.00	5.00	4.50	3.50	4.25	7.25	6.25	8.00	9.50	60	50
145	18.5	11.00	5.00	2.75	8.00	5.00	4.50	3.50	4.25	7.25	6.25	8.00	9.50	60	55
182	19.5	11.50	4.50	3.75	9.00	5.00	4.50	3.50	4.25	8.25	6.25	8.00	9.50	60	90
184	20.5	11.50	5.50	3.75	9.00	5.00	4.50	3.50	4.25	8.25	6.25	8.00	9.50	60	100
213	22.0	12.25	5.50	4.25	9.75	5.00	4.50	3.50	4.25	9.75	8.38	14.00	9.75	60	150
215	23.5	12.25	7.00	4.25	9.75	5.00	4.50	3.50	4.25	9.75	8.38	14.00	9.75	60	160

NOTES: - Not for construction purposes unless certified above  
 - All dimensions in inches  
 - some dimensions may vary +/- 0.25 inches  
 \* Approximate only

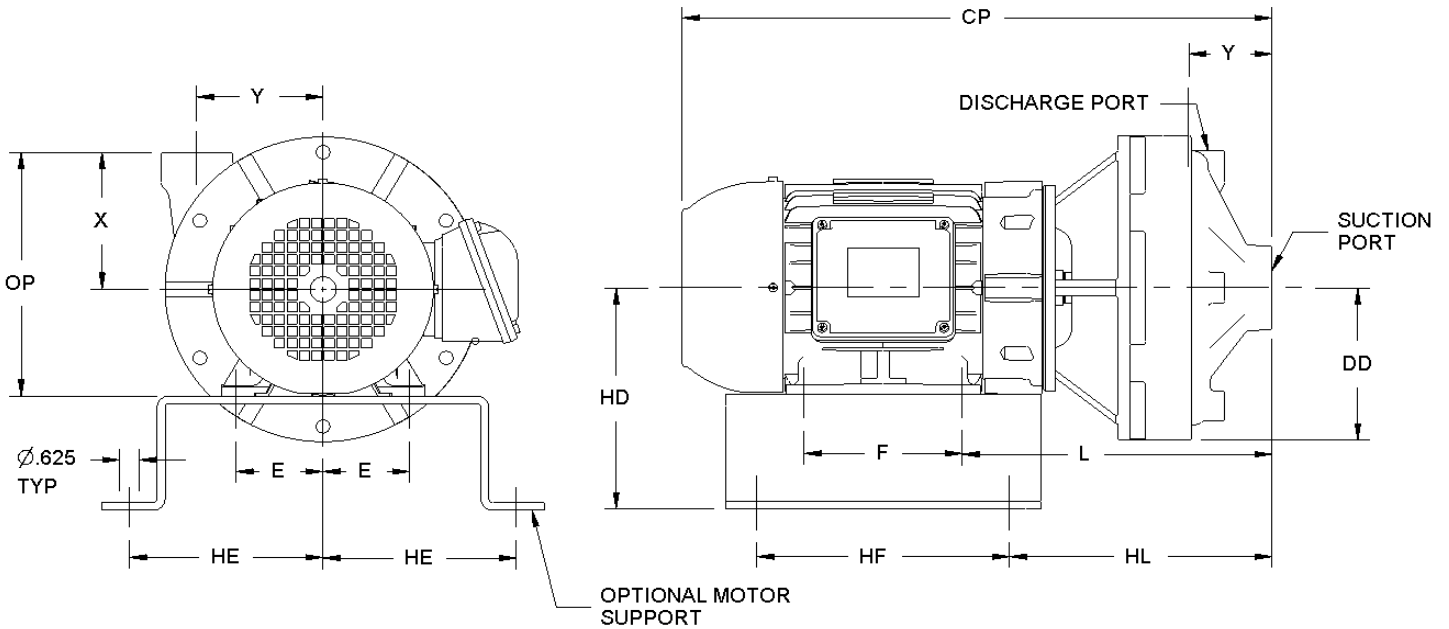




# SERIES PC - DIMENSIONAL OUTLINE

## Model - PCT-1.5L

Customer - \_\_\_\_\_  
 Customer Ref. - \_\_\_\_\_ Our Ref. - \_\_\_\_\_  
 HP - \_\_\_\_\_ RPM - \_\_\_\_\_ Voltage - \_\_\_\_\_ Encl. - \_\_\_\_\_  
 Certified - \_\_\_\_\_ Date - \_\_\_\_\_



DISCHARGE PORT: 1-1/2" FNPT

SUCTION PORT: 2" FNPT

MOTOR FRAME	DIMENSIONS									OPTIONAL				WEIGHT (lbs)	
	CP*	L	F	E	OP	DD	X	Y	Z	HD	HE	HF	HL	PUMP	MOTOR
143	17.5	10.00	4.00	2.75	9.50	5.12	6.00	3.25	4.38	7.25	6.25	8.00	8.50	60	50
145	18.5	10.00	5.00	2.75	9.50	5.12	6.00	3.25	4.38	7.25	6.25	8.00	8.50	60	55
182	19.5	10.50	4.50	3.75	10.50	5.12	6.00	3.25	4.38	8.25	6.25	8.00	8.50	60	90
184	20.5	10.50	5.50	3.75	10.50	5.12	6.00	3.25	4.38	8.25	6.25	8.00	8.50	60	100
213	22.0	11.25	5.50	4.25	11.25	5.12	6.00	3.25	4.38	9.75	8.38	14.00	8.75	60	150
215	23.5	11.25	7.00	4.25	11.25	5.12	6.00	3.25	4.38	9.75	8.38	14.00	8.75	60	160

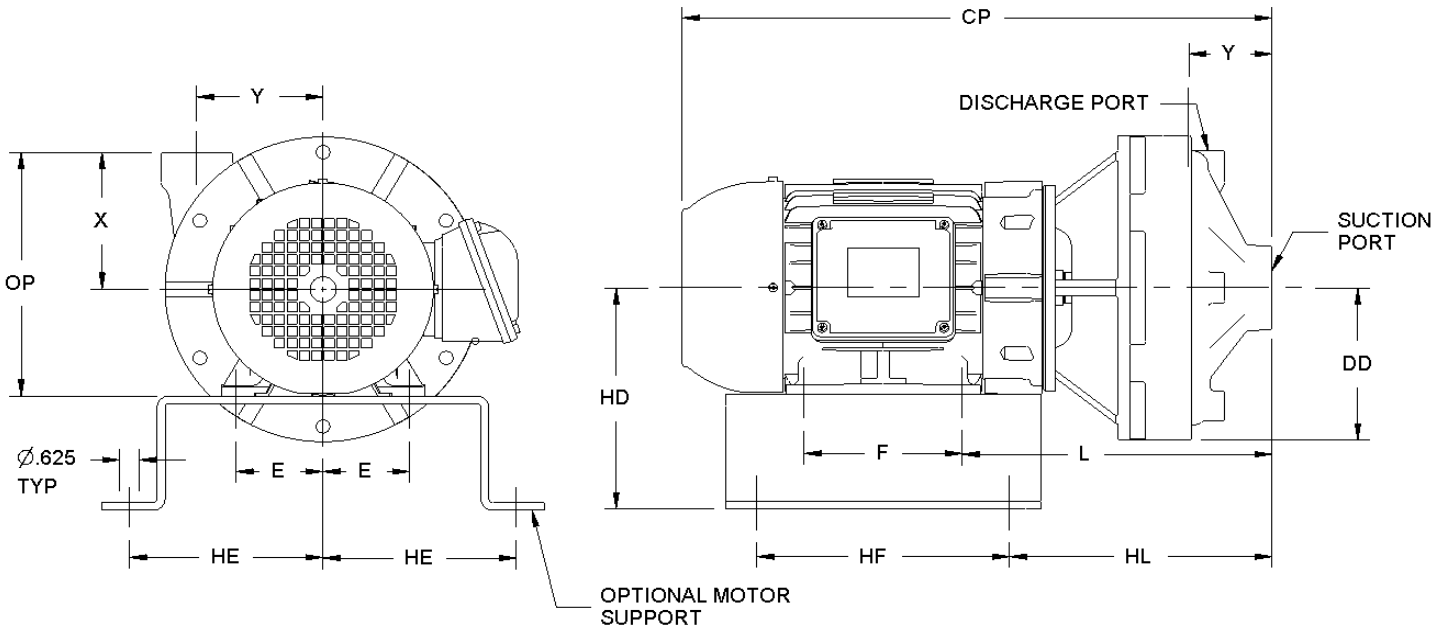
NOTES: - Not for construction purposes unless certified above  
 - All dimensions in inches  
 - some dimensions may vary +/- 0.25 inches  
 \* Approximate only



# SERIES PC - DIMENSIONAL OUTLINE

## Model - PCT-2L

Customer - \_\_\_\_\_  
 Customer Ref. - \_\_\_\_\_ Our Ref. - \_\_\_\_\_  
 HP - \_\_\_\_\_ RPM - \_\_\_\_\_ Voltage - \_\_\_\_\_ Encl. - \_\_\_\_\_  
 Certified - \_\_\_\_\_ Date - \_\_\_\_\_



DISCHARGE PORT: 2" FNPT

SUCTION PORT: 2-1/2" FNPT

MOTOR FRAME	DIMENSIONS									OPTIONAL				WEIGHT (lbs)	
	CP*	L	F	E	OP	DD	X	Y	Z	HD	HE	HF	HL	PUMP	MOTOR
143	18.0	10.38	4.00	2.75	8.50	5.25	5.00	3.62	4.38	7.25	6.25	8.00	8.88	60	50
145	19.0	10.38	5.00	2.75	8.50	5.25	5.00	3.62	4.38	7.25	6.25	8.00	8.88	60	55
182	20.0	10.88	4.50	3.75	9.50	5.25	5.00	3.62	4.38	8.25	6.25	8.00	8.88	60	90
184	21.0	10.88	5.50	3.75	9.50	5.25	5.00	3.62	4.38	8.25	6.25	8.00	8.88	60	100
213	23.0	11.62	5.50	4.25	10.25	5.25	5.00	3.62	4.38	9.75	8.38	14.00	9.12	60	150
215	24.0	11.62	7.00	4.25	10.25	5.25	5.00	3.62	4.38	9.75	8.38	14.00	9.12	60	160
254	28.0	13.00	8.25	5.00	11.25	5.25	5.00	3.62	4.38	10.75	8.38	14.00	9.75	60	265
256	28.0	13.00	10.00	5.00	11.25	5.25	5.00	3.62	4.38	10.75	8.38	14.00	9.75	60	300

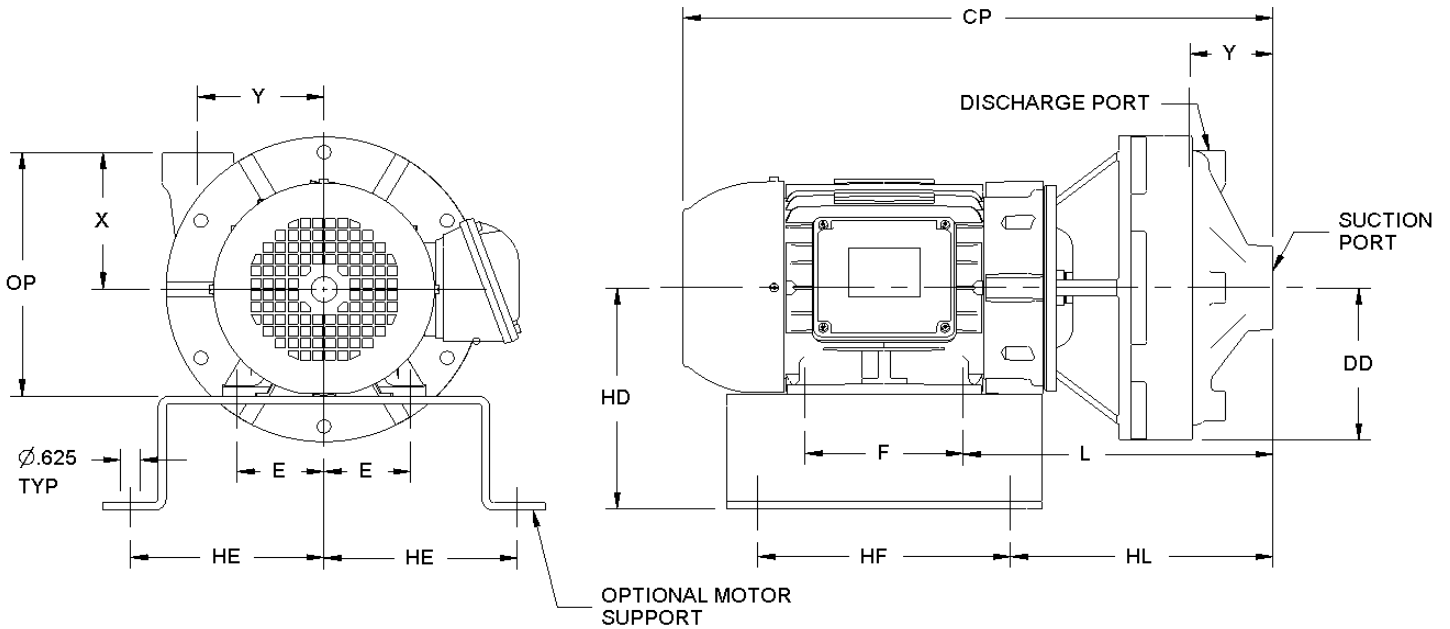
NOTES: - Not for construction purposes unless certified above  
 - All dimensions in inches  
 - some dimensions may vary +/- 0.25 inches  
 \* Approximate only



# SERIES PC - DIMENSIONAL OUTLINE

## Model - PCT-1H

Customer - \_\_\_\_\_  
 Customer Ref. - \_\_\_\_\_ Our Ref. - \_\_\_\_\_  
 HP - \_\_\_\_\_ RPM - \_\_\_\_\_ Voltage - \_\_\_\_\_ Encl. - \_\_\_\_\_  
 Certified - \_\_\_\_\_ Date - \_\_\_\_\_



DISCHARGE PORT: 1" FNPT

SUCTION PORT: 1-1/4" FNPT

MOTOR FRAME	DIMENSIONS									OPTIONAL				WEIGHT (lbs)	
	CP*	L	F	E	OP	DD	X	Y	Z	HD	HE	HF	HL	PUMP	MOTOR
143	17.0	9.37	4.00	2.75	8.50	5.44	5.00	2.62	4.50	7.25	6.25	8.00	7.87	50	50
145	18.0	9.37	5.00	2.75	8.50	5.44	5.00	2.62	4.50	7.25	6.25	8.00	7.87	50	55
182	19.0	9.87	4.50	3.75	9.50	5.44	5.00	2.62	4.50	8.25	6.25	8.00	7.87	50	90
184	20.0	9.87	5.50	3.75	9.50	5.44	5.00	2.62	4.50	8.25	6.25	8.00	7.87	50	100
213	21.5	10.62	5.50	4.25	10.25	5.44	5.00	2.62	4.50	9.75	8.38	14.00	8.12	50	150
215	23.0	10.62	7.00	4.25	10.25	5.44	5.00	2.62	4.50	9.75	8.38	14.00	8.12	50	160

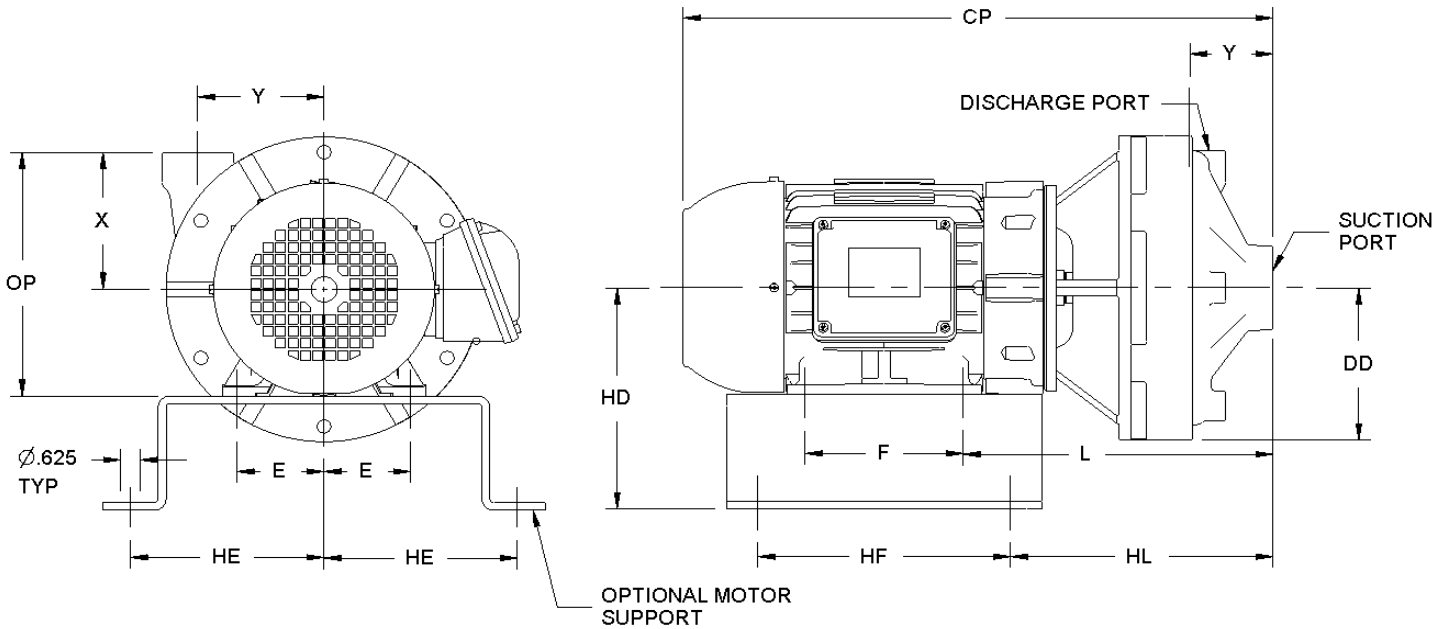
NOTES: - Not for construction purposes unless certified above  
 - All dimensions in inches  
 - some dimensions may vary +/- 0.25 inches  
 \* Approximate only



# SERIES PC - DIMENSIONAL OUTLINE

## Model - PCT-1.25H

Customer - \_\_\_\_\_  
 Customer Ref. - \_\_\_\_\_ Our Ref. - \_\_\_\_\_  
 HP - \_\_\_\_\_ RPM - \_\_\_\_\_ Voltage - \_\_\_\_\_ Encl. - \_\_\_\_\_  
 Certified - \_\_\_\_\_ Date - \_\_\_\_\_



DISCHARGE PORT: 1-1/4" FNPT

SUCTION PORT: 1-1/2" FNPT

MOTOR FRAME	DIMENSIONS									OPTIONAL				WEIGHT (lbs)	
	CP*	L	F	E	OP	DD	X	Y	Z	HD	HE	HF	HL	PUMP	MOTOR
143	17.5	9.87	4.00	2.75	8.50	5.25	5.00	3.25	4.50	7.25	6.25	8.00	8.37	60	50
145	18.5	9.87	5.00	2.75	8.50	5.25	5.00	3.25	4.50	7.25	6.25	8.00	8.37	60	55
182	19.5	10.37	4.50	3.75	9.50	5.25	5.00	3.25	4.50	8.25	6.25	8.00	8.37	60	90
184	20.5	10.37	5.50	3.75	9.50	5.25	5.00	3.25	4.50	8.25	6.25	8.00	8.37	60	100
213	22.0	11.12	5.50	4.25	10.25	5.25	5.00	3.25	4.50	9.75	8.38	14.00	8.62	60	150
215	23.5	11.12	7.00	4.25	10.25	5.25	5.00	3.25	4.50	9.75	8.38	14.00	8.62	60	160
254	27.0	12.50	8.25	5.00	11.25	5.25	5.00	3.25	4.50	10.75	8.38	14.00	9.25	60	265
256	27.0	12.50	10.00	5.00	11.25	5.25	5.00	3.25	4.50	10.75	8.38	14.00	9.25	60	300

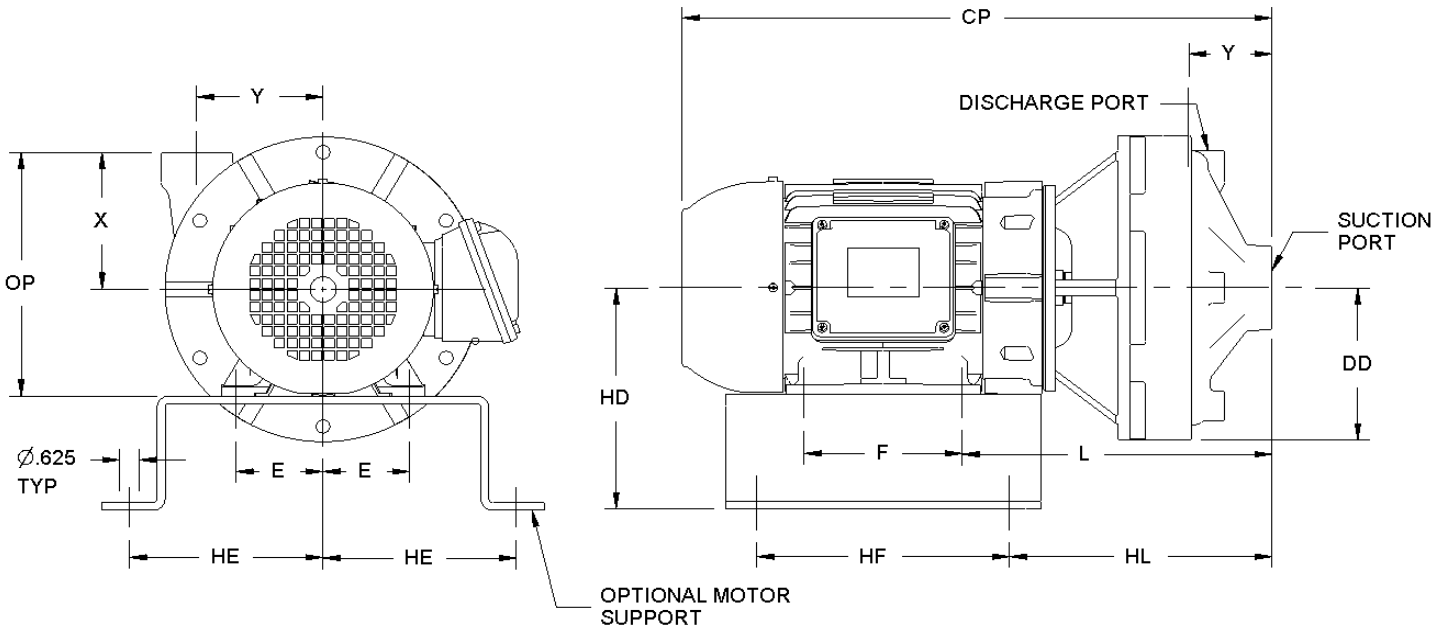
NOTES: - Not for construction purposes unless certified above  
 - All dimensions in inches  
 - some dimensions may vary +/- 0.25 inches  
 \* Approximate only



# SERIES PC - DIMENSIONAL OUTLINE

## Model - PCT-1.5H

Customer - \_\_\_\_\_  
 Customer Ref. - \_\_\_\_\_ Our Ref. - \_\_\_\_\_  
 HP - \_\_\_\_\_ RPM - \_\_\_\_\_ Voltage - \_\_\_\_\_ Encl. - \_\_\_\_\_  
 Certified - \_\_\_\_\_ Date - \_\_\_\_\_



DISCHARGE PORT: 1-1/2" FNPT

SUCTION PORT: 2" FNPT

MOTOR FRAME	DIMENSIONS									OPTIONAL				WEIGHT (lbs)	
	CP*	L	F	E	OP	DD	X	Y	Z	HD	HE	HF	HL	PUMP	MOTOR
145	18.5	10.50	5.00	2.75	9.50	6.25	6.00	3.75	5.50	7.25	6.25	8.00	9.00	65	55
182	19.5	11.00	4.50	3.75	10.50	6.25	6.00	3.75	5.50	8.25	6.25	8.00	9.00	65	90
184	20.5	11.00	5.50	3.75	10.50	6.25	6.00	3.75	5.50	8.25	6.25	8.00	9.00	65	100
213	22.0	11.75	5.50	4.25	11.25	6.25	6.00	3.75	5.50	9.75	8.38	14.00	9.25	65	150
215	23.5	11.75	7.00	4.25	11.25	6.25	6.00	3.75	5.50	9.75	8.38	14.00	9.25	65	160
254	27.5	13.13	8.25	5.00	12.25	6.25	6.00	3.75	5.50	10.75	8.38	14.00	9.88	65	265
256	27.5	13.13	10.00	5.00	12.25	6.25	6.00	3.75	5.50	10.75	8.38	14.00	9.88	65	300
284	30.0	13.63	9.50	5.50	13.00	6.25	6.00	3.75	5.50	12.25	10.13	17.50	9.88	65	440
286	32.0	13.63	11.00	5.50	13.00	6.25	6.00	3.75	5.50	12.25	10.13	17.50	9.88	65	485

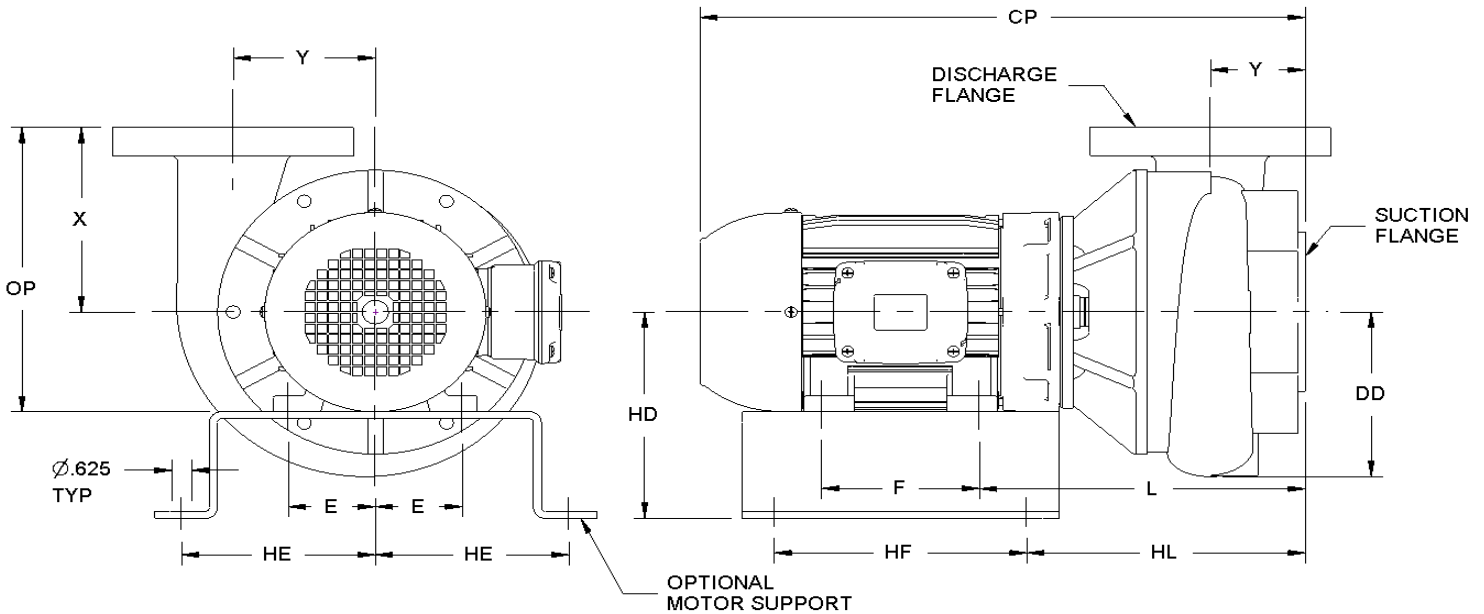
NOTES: - Not for construction purposes unless certified above  
 - All dimensions in inches  
 - some dimensions may vary +/- 0.25 inches  
 \* Approximate only



# SERIES PC - DIMENSIONAL OUTLINE

## Model - PCF-2.5L

Customer - \_\_\_\_\_  
 Customer Ref. - \_\_\_\_\_ Our Ref. - \_\_\_\_\_  
 HP - \_\_\_\_\_ RPM - \_\_\_\_\_ Voltage - \_\_\_\_\_ Encl. - \_\_\_\_\_  
 Certified - \_\_\_\_\_ Date - \_\_\_\_\_



DISCHARGE FLANGE: 2-1/2" x 125lb

SUCTION FLANGE: 3" x 125lb

MOTOR FRAME	DIMENSIONS									OPTIONAL				WEIGHT (lbs)	
	CP*	L	F	E	OP	DD	X	Y	Z	HD	HE	HF	HL	PUMP	MOTOR
143	18.0	9.50	4.00	2.75	9.50	5.50	6.00	2.75	4.88	7.25	6.25	8.00	8.00	75	50
145	19.0	9.50	5.00	2.75	9.50	5.50	6.00	2.75	4.88	7.25	6.25	8.00	8.00	75	55
182	20.0	10.00	4.50	3.75	10.50	5.50	6.00	2.75	4.88	8.25	6.25	8.00	8.00	75	90
184	21.0	10.00	5.50	3.75	10.50	5.50	6.00	2.75	4.88	8.25	6.25	8.00	8.00	75	100
213	23.0	10.75	5.50	4.25	11.25	5.50	6.00	2.75	4.88	9.75	8.38	14.00	8.25	75	150
215	24.0	10.75	7.00	4.25	11.25	5.50	6.00	2.75	4.88	9.75	8.38	14.00	8.25	75	160
254	28.0	12.12	8.25	5.00	12.25	5.50	6.00	2.75	4.88	10.75	8.38	14.00	8.87	75	265
256	29.0	12.12	10.00	5.00	12.25	5.50	6.00	2.75	4.88	10.75	8.38	14.00	8.87	75	300

NOTES: - Not for construction purposes unless certified above

- All dimensions in inches

- Some dimensions may vary +/- 0.25 inches

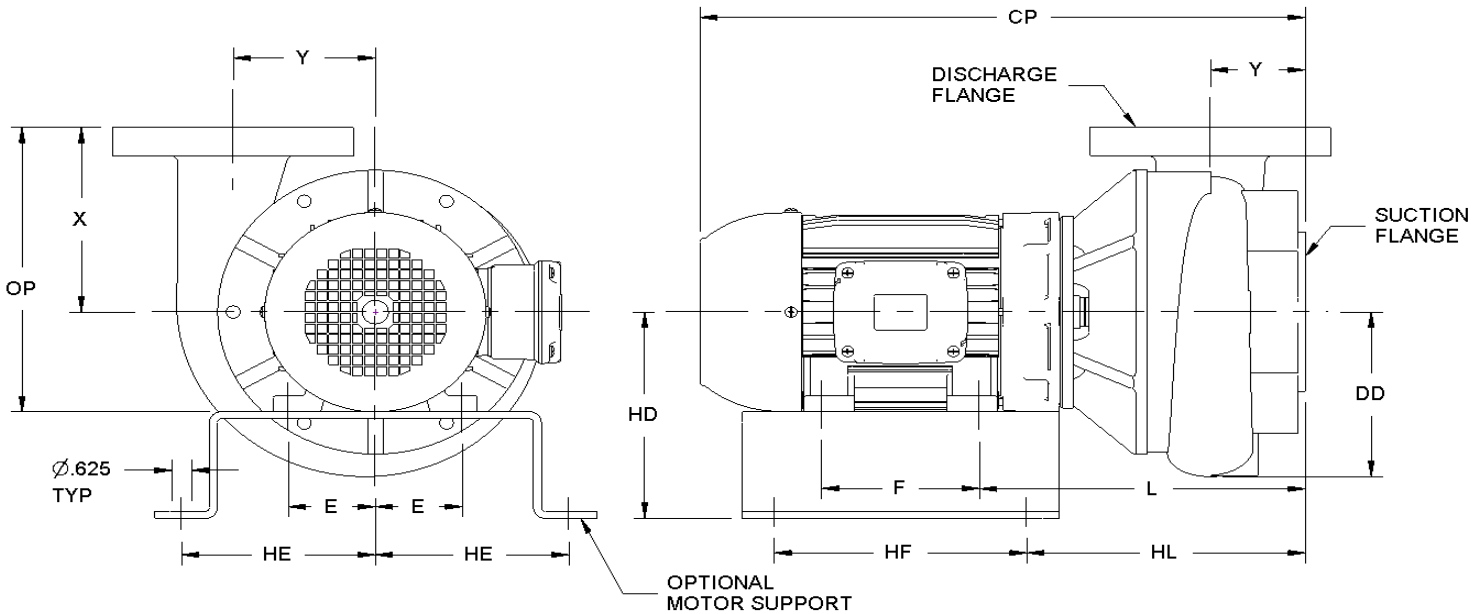
\* Approximate only



# SERIES PC - DIMENSIONAL OUTLINE

## Model - PCF-3LB

Customer - \_\_\_\_\_  
 Customer Ref. - \_\_\_\_\_ Our Ref. - \_\_\_\_\_  
 HP - \_\_\_\_\_ RPM - \_\_\_\_\_ Voltage - \_\_\_\_\_ Encl. - \_\_\_\_\_  
 Certified - \_\_\_\_\_ Date - \_\_\_\_\_



DISCHARGE FLANGE: 3" x 125lb

SUCTION FLANGE: 4" x 125lb

MOTOR FRAME	DIMENSIONS									OPTIONAL				WEIGHT (lbs)	
	CP*	L	F	E	OP	DD	X	Y	Z	HD	HE	HF	HL	PUMP	MOTOR
143	19.0	10.31	4.00	2.75	10.00	5.88	6.50	3.25	4.88	7.25	6.25	8.00	8.81	85	50
145	20.0	10.31	5.00	2.75	10.00	5.88	6.50	3.25	4.88	7.25	6.25	8.00	8.81	85	55
182	21.0	10.81	4.50	3.75	11.00	5.88	6.50	3.25	4.88	8.25	6.25	8.00	8.81	85	90
184	22.0	10.81	5.50	3.75	11.00	5.88	6.50	3.25	4.88	8.25	6.25	8.00	8.81	85	100
213	24.0	11.56	5.50	4.25	11.75	5.88	6.50	3.25	4.88	9.75	8.38	14.00	9.06	85	150
215	25.0	11.56	7.00	4.25	11.75	5.88	6.50	3.25	4.88	9.75	8.38	14.00	9.06	85	160
254	29.0	12.94	8.25	5.00	12.75	5.88	6.50	3.25	4.88	10.75	8.38	14.00	9.69	85	265
256	30.0	12.94	10.00	5.00	12.75	5.88	6.50	3.25	4.88	10.75	8.38	14.00	9.69	85	300
284	31.0	13.44	9.50	5.50	13.50	5.88	6.50	3.25	4.88	12.25	10.13	17.50	9.69	85	440
286	33.0	13.44	11.00	5.50	13.50	5.88	6.50	3.25	4.88	12.25	10.13	17.50	9.69	85	485

NOTES: - Not for construction purposes unless certified above

- All dimensions in inches

- some dimensions may vary +/- 0.25 inches

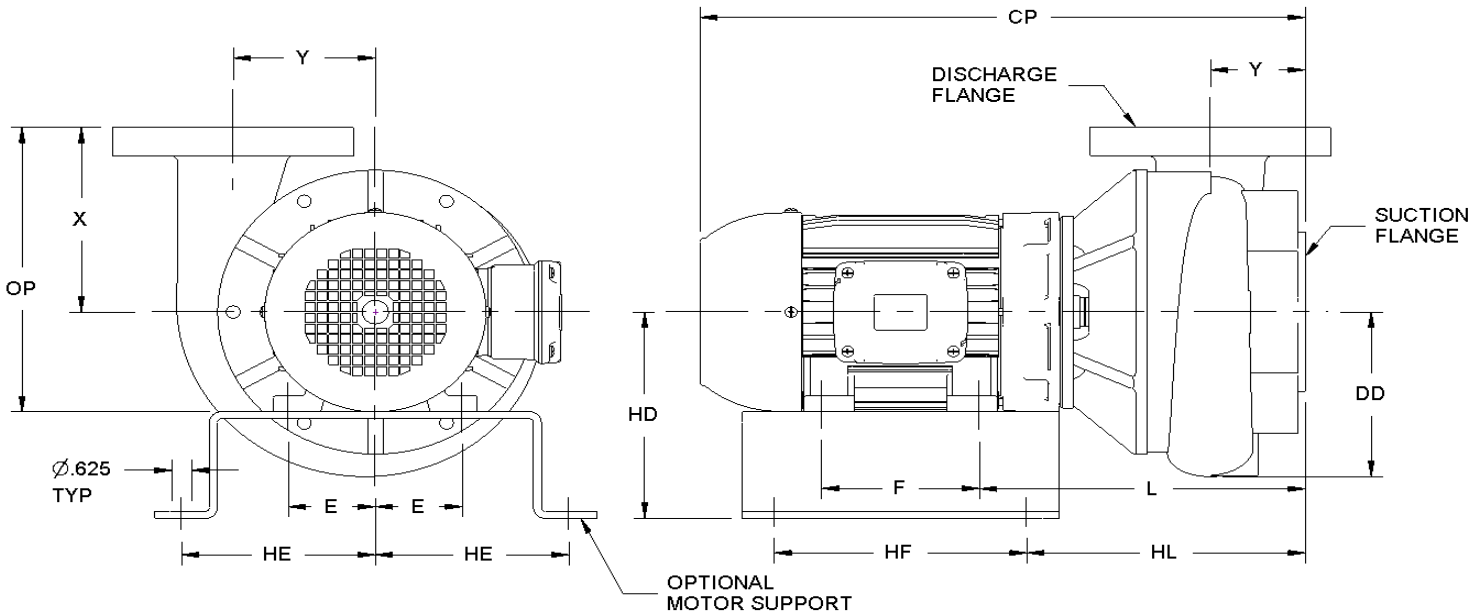
\* Approximate only



# SERIES PC - DIMENSIONAL OUTLINE

## Model - PCF-4L

Customer - \_\_\_\_\_  
 Customer Ref. - \_\_\_\_\_ Our Ref. - \_\_\_\_\_  
 HP - \_\_\_\_\_ RPM - \_\_\_\_\_ Voltage - \_\_\_\_\_ Encl. - \_\_\_\_\_  
 Certified - \_\_\_\_\_ Date - \_\_\_\_\_



DISCHARGE FLANGE: 4" x 125lb

SUCTION FLANGE: 5" x 125lb

MOTOR FRAME	DIMENSIONS									OPTIONAL				WEIGHT (lbs)	
	CP*	L	F	E	OP	DD	X	Y	Z	HD	HE	HF	HL	PUMP	MOTOR
145	19.0	9.94	5.00	2.75	10.12	6.62	6.62	3.00	5.50	7.25	6.25	8.00	8.44	110	55
182	20.0	10.44	4.50	3.75	11.12	6.62	6.62	3.00	5.50	8.25	6.25	8.00	8.44	110	90
184	21.0	10.44	5.50	3.75	11.12	6.62	6.62	3.00	5.50	8.25	6.25	8.00	8.44	110	100
213	23.0	11.19	5.50	4.25	11.87	6.62	6.62	3.00	5.50	9.75	8.38	14.00	8.69	110	150
215	24.0	11.19	7.00	4.25	11.87	6.62	6.62	3.00	5.50	9.75	8.38	14.00	8.69	110	160
254	28.0	12.56	8.25	5.00	12.87	6.62	6.62	3.00	5.50	10.75	8.38	14.00	9.31	110	265
256	29.0	12.56	10.00	5.00	12.87	6.62	6.62	3.00	5.50	10.75	8.38	14.00	9.31	110	300
284	30.0	13.06	9.50	5.50	13.62	6.62	6.62	3.00	5.50	12.25	10.13	17.50	9.31	110	440
286	32.0	13.06	11.00	5.50	13.62	6.62	6.62	3.00	5.50	12.25	10.13	17.50	9.31	110	485

NOTES: - Not for construction purposes unless certified above

- All dimensions in inches

-some dimensions may vary +/- 0.25 inches

\* Approximate only

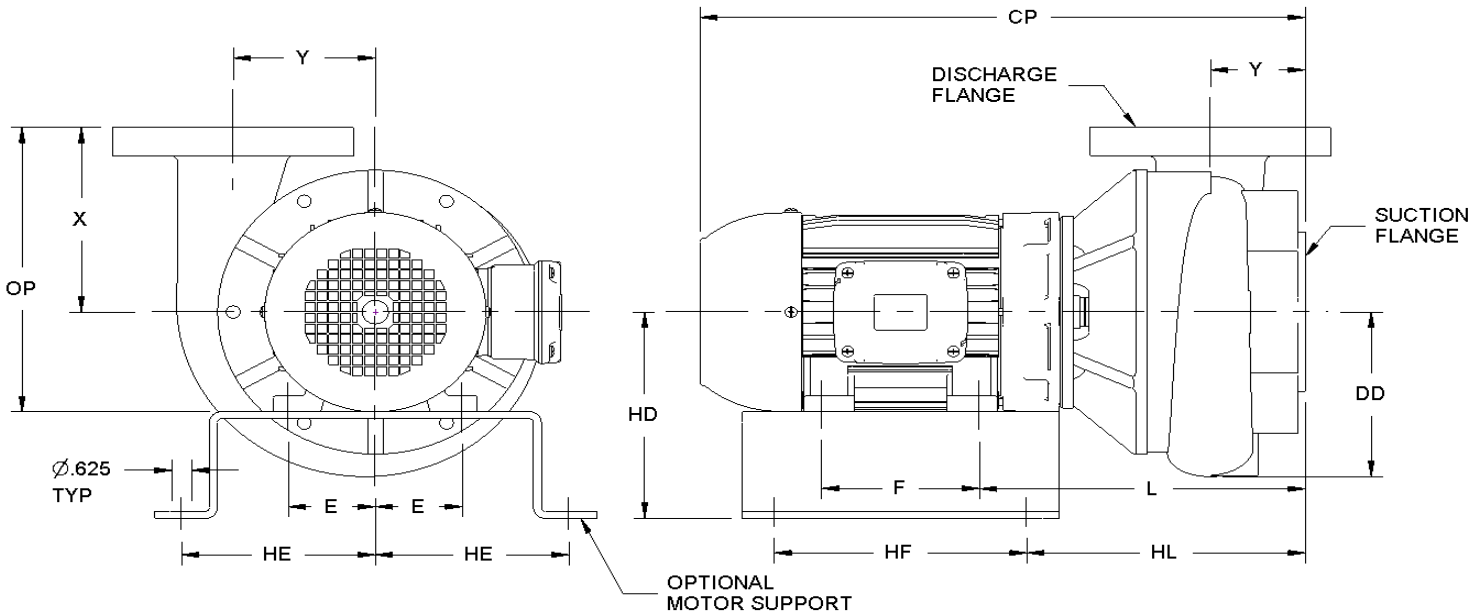




# SERIES PC - DIMENSIONAL OUTLINE

## Model - PCF-6L

Customer - \_\_\_\_\_  
 Customer Ref. - \_\_\_\_\_ Our Ref. - \_\_\_\_\_  
 HP - \_\_\_\_\_ RPM - \_\_\_\_\_ Voltage - \_\_\_\_\_ Encl. - \_\_\_\_\_  
 Certified - \_\_\_\_\_ Date - \_\_\_\_\_



DISCHARGE FLANGE: 6" x 125lb

SUCTION FLANGE: 6" x 125lb

MOTOR FRAME	DIMENSIONS									OPTIONAL				WEIGHT (lbs)	
	CP*	L	F	E	OP	DD	X	Y	Z	HD	HE	HF	HL	PUMP	MOTOR
215	26.5	14.38	7.00	4.25	14.00	9.50	8.75	4.38	8.25	9.75	8.38	14.00	11.88	170	160
254	31.0	15.75	8.25	5.00	15.00	9.50	8.75	4.38	8.25	10.75	8.38	14.00	12.50	170	265
256	33.0	15.75	10.00	5.00	15.00	9.50	8.75	4.38	8.25	10.75	8.38	14.00	12.50	170	300
284	33.0	16.25	9.50	5.50	15.75	9.50	8.75	4.38	8.25	12.25	10.13	17.50	12.50	170	440
286	35.0	16.25	11.00	5.50	15.75	9.50	8.75	4.38	8.25	12.25	10.13	17.50	12.50	170	485
324	36.0	16.75	10.50	6.25	16.75	9.50	8.75	4.38	8.25	13.25	10.13	17.50	12.50	170	595
326	38.0	16.75	12.00	6.25	16.75	9.50	8.75	4.38	8.25	13.25	10.13	17.50	12.50	170	620

NOTES: - Not for construction purposes unless certified above

- All dimensions in inches

-some dimensions may vary +/- 0.25 inches

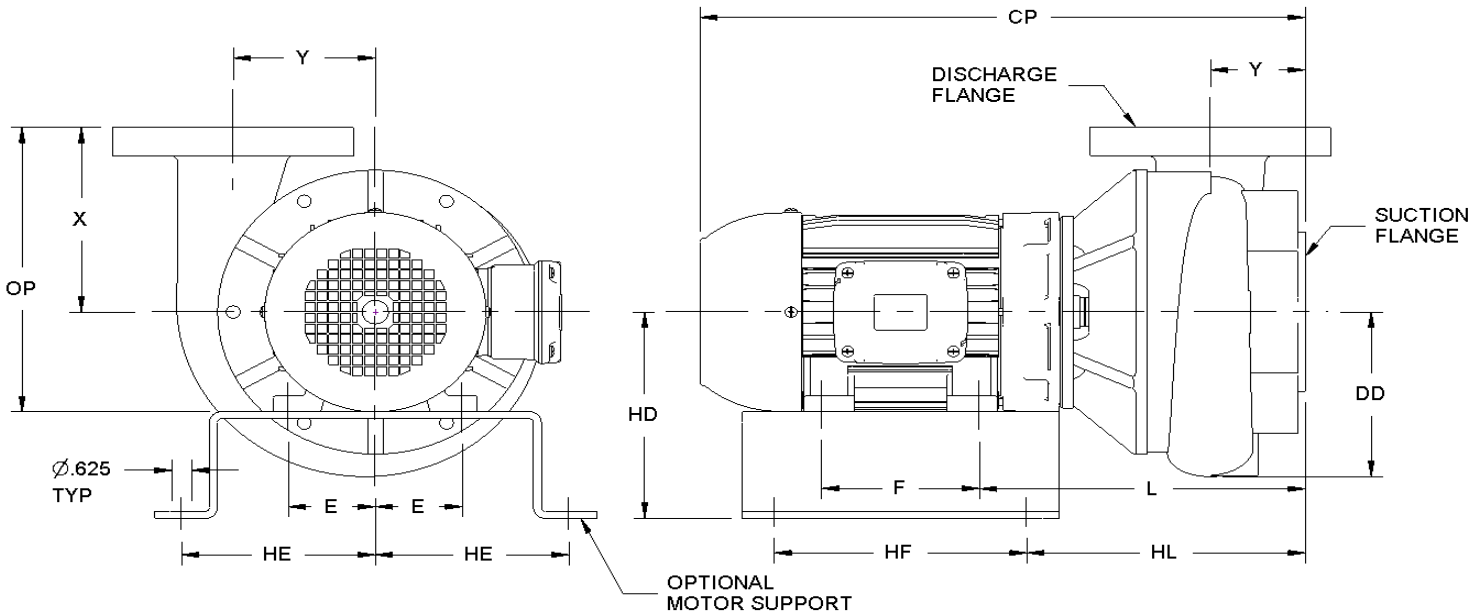
\* Approximate only



# SERIES PC - DIMENSIONAL OUTLINE

## Model - PCF-2.5H

Customer - \_\_\_\_\_  
 Customer Ref. - \_\_\_\_\_ Our Ref. - \_\_\_\_\_  
 HP - \_\_\_\_\_ RPM - \_\_\_\_\_ Voltage - \_\_\_\_\_ Encl. - \_\_\_\_\_  
 Certified - \_\_\_\_\_ Date - \_\_\_\_\_



DISCHARGE FLANGE: 2-1/2" x 125lb

SUCTION FLANGE: 3" x 125lb

MOTOR FRAME	DIMENSIONS									OPTIONAL				WEIGHT (lbs)	
	CP*	L	F	E	OP	DD	X	Y	Z	HD	HE	HF	HL	PUMP	MOTOR
182	19.5	10.31	4.50	3.75	11.88	6.75	7.38	2.88	6.25	8.25	6.25	8.00	8.31	90	90
184	20.5	10.31	5.50	3.75	11.88	6.75	7.38	2.88	6.25	8.25	6.25	8.00	8.31	90	100
213	22.0	11.06	5.50	4.25	12.62	6.75	7.38	2.88	6.25	9.74	8.38	14.00	8.56	90	150
215	23.5	11.06	7.00	4.25	12.62	6.75	7.38	2.88	6.25	9.74	8.38	14.00	8.56	90	160
254	28.0	12.44	8.25	5.00	13.62	6.75	7.38	2.88	6.25	10.74	8.38	14.00	9.19	90	265
256	29.0	12.44	10.00	5.00	13.62	6.75	7.38	2.88	6.25	10.74	8.38	14.00	9.19	90	300
284	30.0	12.94	9.50	5.50	14.38	6.75	7.38	2.88	6.25	12.25	10.13	17.50	9.19	90	440
286	32.0	12.94	11.00	5.50	14.38	6.75	7.38	2.88	6.25	12.25	10.13	17.50	9.19	90	485
324	34.0	13.44	10.50	6.25	15.38	6.75	7.38	2.88	6.25	13.25	10.13	17.50	9.19	90	595

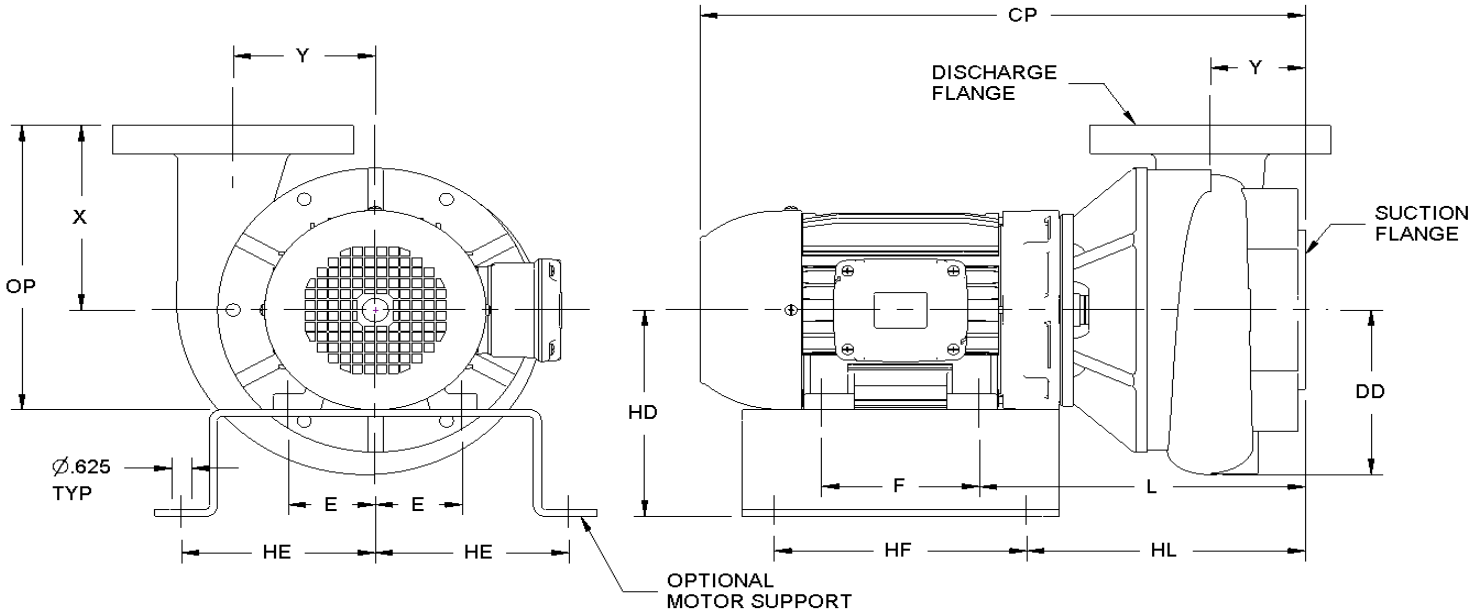
NOTES: - Not for construction purposes unless certified above  
 - All dimensions in inches  
 - some dimensions may vary +/- 0.25 inches  
 \* Approximate only



# SERIES PC - DIMENSIONAL OUTLINE

## Model - PCF-3H

Customer - \_\_\_\_\_  
 Customer Ref. - \_\_\_\_\_ Our Ref. - \_\_\_\_\_  
 HP - \_\_\_\_\_ RPM - \_\_\_\_\_ Voltage - \_\_\_\_\_ Encl. - \_\_\_\_\_  
 Certified - \_\_\_\_\_ Date - \_\_\_\_\_



DISCHARGE FLANGE: 3" x 125lb

SUCTION FLANGE: 4" x 125lb

MOTOR FRAME	DIMENSIONS									OPTIONAL				WEIGHT (lbs)	
	CP*	L	F	E	OP	DD	X	Y	Z	HD	HE	HF	HL	PUMP	MOTOR
184	20.5	10.87	5.50	3.75	11.50	7.31	7.00	3.50	6.62	8.25	6.25	8.00	8.87	110	100
213	22.0	11.62	5.50	4.25	12.25	7.31	7.00	3.50	6.62	9.75	8.38	14.00	9.12	110	150
215	24.0	11.62	7.00	4.25	12.25	7.31	7.00	3.50	6.62	9.75	8.38	14.00	9.12	110	160
254	28.0	13.00	8.25	5.00	13.25	7.31	7.00	3.50	6.62	10.75	8.38	14.00	9.75	110	265
256	29.0	13.00	10.00	5.00	13.25	7.31	7.00	3.50	6.62	10.75	8.38	14.00	9.75	110	300
284	30.0	13.50	9.50	5.50	14.00	7.31	7.00	3.50	6.62	12.25	10.13	17.50	9.75	110	440
286	32.0	13.50	11.00	5.50	14.00	7.31	7.00	3.50	6.62	12.25	10.13	17.50	9.75	110	485
324	34.0	14.00	10.50	6.25	15.00	7.31	7.00	3.50	6.62	13.25	10.13	17.50	9.75	110	595
326	36.0	14.00	12.00	6.25	15.00	7.31	7.00	3.50	6.62	13.25	10.13	17.50	9.75	110	620
364	37.0	14.62	11.25	7.00	16.00	7.31	7.00	3.50	6.62	14.25	10.13	17.50	10.37	110	930

NOTES: - Not for construction purposes unless certified above

- All dimensions in inches

- some dimensions may vary +/- 0.25 inches

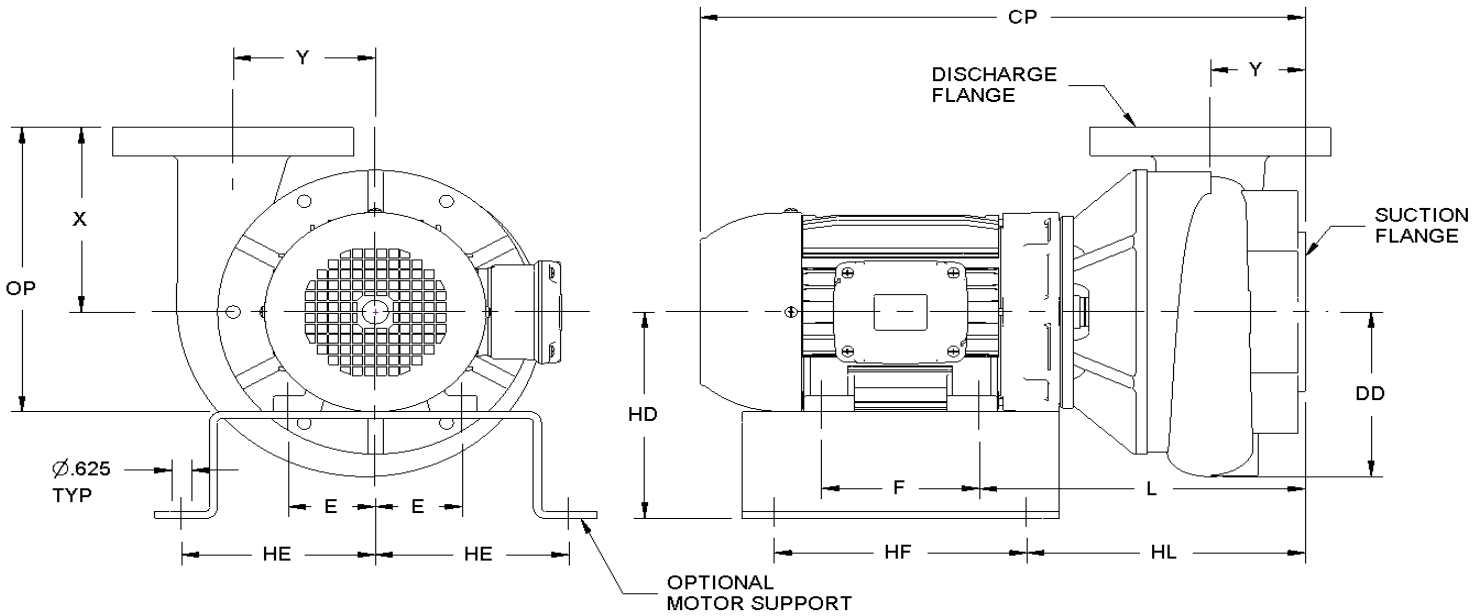
\* Approximate only



# SERIES PC - DIMENSIONAL OUTLINE

## Model - PCF-4H

Customer - \_\_\_\_\_  
 Customer Ref. - \_\_\_\_\_ Our Ref. - \_\_\_\_\_  
 HP - \_\_\_\_\_ RPM - \_\_\_\_\_ Voltage - \_\_\_\_\_ Encl. - \_\_\_\_\_  
 Certified - \_\_\_\_\_ Date - \_\_\_\_\_



DISCHARGE FLANGE: 4" x 125lb

SUCTION FLANGE: 5" x 125lb

MOTOR FRAME	DIMENSIONS									OPTIONAL				WEIGHT (lbs)	
	CP*	L	F	E	OP	DD	X	Y	Z	HD	HE	HF	HL	PUMP	MOTOR
213	24.0	11.88	5.50	4.25	14.13	8.75	8.88	3.75	7.50	9.75	8.38	14.00	9.38	140	150
215	26.0	11.88	7.00	4.25	14.13	8.75	8.88	3.75	7.50	9.75	8.38	14.00	9.38	140	160
254	30.0	13.25	8.25	5.00	15.13	8.75	8.88	3.75	7.50	10.75	8.38	14.00	10.00	140	265
256	31.0	13.25	10.00	5.00	15.13	8.75	8.88	3.75	7.50	10.75	8.38	14.00	10.00	140	300
284	32.0	13.75	9.50	5.50	15.88	8.75	8.88	3.75	7.50	12.25	10.13	17.50	10.00	140	440
286	34.0	13.75	11.00	5.50	15.88	8.75	8.88	3.75	7.50	12.25	10.13	17.50	10.00	140	485
324	36.0	14.25	10.50	6.25	16.88	8.75	8.88	3.75	7.50	13.25	10.13	17.50	10.00	140	595
326	38.0	14.25	12.00	6.25	16.88	8.75	8.88	3.75	7.50	13.25	10.13	17.50	10.00	140	620
364	40.0	14.88	11.25	7.00	17.88	8.75	8.88	3.75	7.50	14.25	10.13	17.50	10.63	140	930
365	40.0	14.88	12.25	7.00	17.88	8.75	8.88	3.75	7.50	14.25	10.13	17.50	10.63	140	940

NOTES: - Not for construction purposes unless certified above

- All dimensions in inches

- some dimensions may vary +/- 0.25 inches

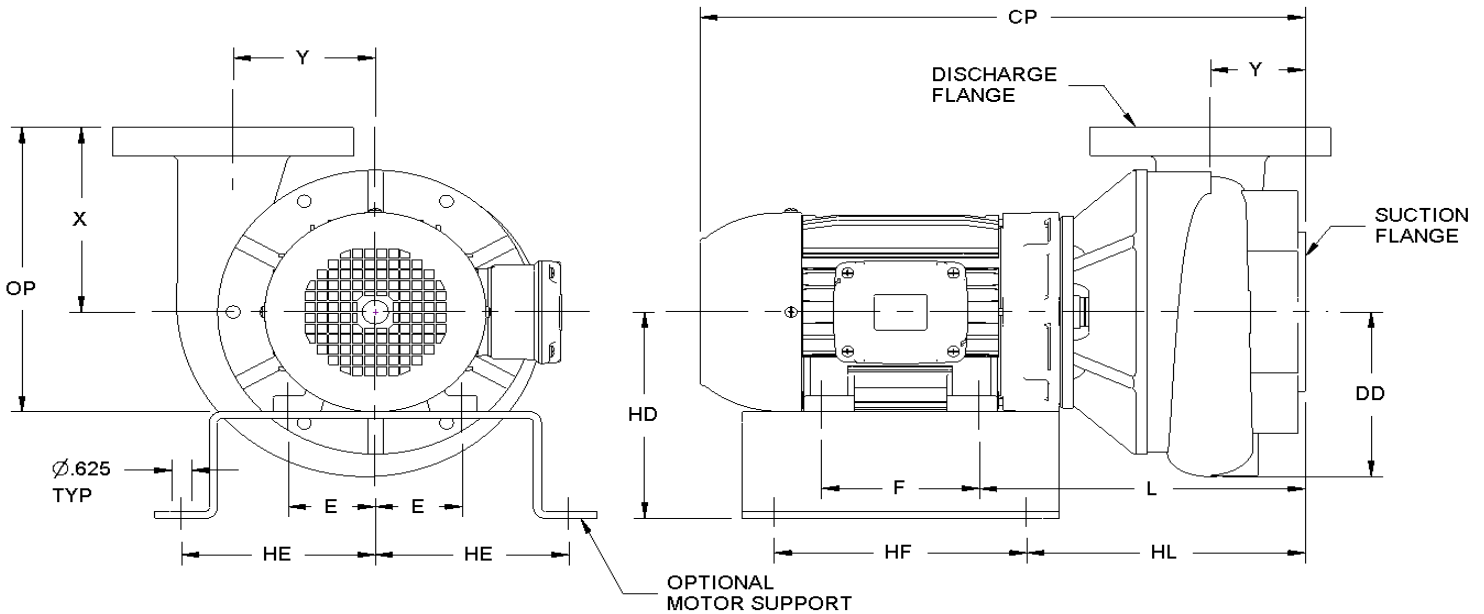
\* Approximate only



# SERIES PC - DIMENSIONAL OUTLINE

## Model - PCF-6H

Customer - \_\_\_\_\_  
 Customer Ref. - \_\_\_\_\_ Our Ref. - \_\_\_\_\_  
 HP - \_\_\_\_\_ RPM - \_\_\_\_\_ Voltage - \_\_\_\_\_ Encl. - \_\_\_\_\_  
 Certified - \_\_\_\_\_ Date - \_\_\_\_\_



DISCHARGE FLANGE: 6" x 125lb

SUCTION FLANGE: 6" x 125lb

MOTOR FRAME	DIMENSIONS									OPTIONAL				WEIGHT (lbs)	
	CP*	L	F	E	OP	DD	X	Y	Z	HD	HE	HF	HL	PUMP	MOTOR
284	30.0	13.69	9.50	5.50	17.75	12.16	10.75	3.50	10.38	12.25	10.13	17.50	9.94	200	440
286	32.0	13.69	11.00	5.50	17.75	12.16	10.75	3.50	10.38	12.25	10.13	17.50	9.94	200	485
324	33.0	14.19	10.50	6.25	18.75	12.16	10.75	3.50	10.38	13.25	10.13	17.50	9.94	200	595
326	34.0	14.19	12.00	6.25	18.75	12.16	10.75	3.50	10.38	13.25	10.13	17.50	9.94	200	620
364	36.0	14.82	11.25	7.00	19.75	12.16	10.75	3.50	10.38	14.25	10.13	17.50	10.57	200	930
365	36.0	14.82	12.25	7.00	19.75	12.16	10.75	3.50	10.38	14.25	10.13	17.50	10.57	200	940

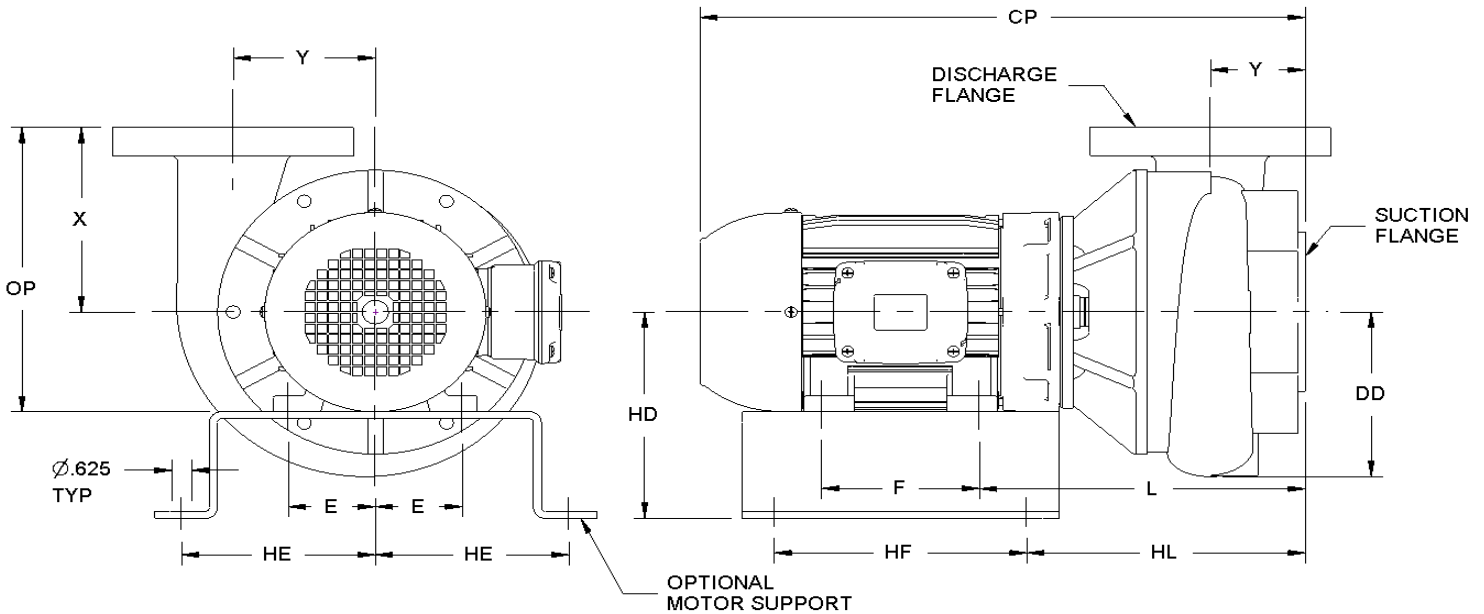
NOTES: - Not for construction purposes unless certified above  
 - All dimensions in inches  
 - some dimensions may vary +/- 0.25 inches  
 \* Approximate only



# SERIES PC - DIMENSIONAL OUTLINE

## Model - PCF-1.5HS

Customer - \_\_\_\_\_  
 Customer Ref. - \_\_\_\_\_ Our Ref. - \_\_\_\_\_  
 HP - \_\_\_\_\_ RPM - \_\_\_\_\_ Voltage - \_\_\_\_\_ Encl. - \_\_\_\_\_  
 Certified - \_\_\_\_\_ Date - \_\_\_\_\_



DISCHARGE FLANGE: 1-1/2" x 125lb

SUCTION FLANGE: 2" x 125lb

MOTOR FRAME	DIMENSIONS									OPTIONAL				WEIGHT (lbs)	
	CP*	L	F	E	OP	DD	X	Y	Z	HD	HE	HF	HL	PUMP	MOTOR
184	20.5	10.13	5.50	3.75	13.38	8.00	8.88	2.75	7.62	8.25	6.25	8.00	8.13	140	100
213	23.0	10.88	5.50	4.25	14.13	8.00	8.88	2.75	7.62	9.75	8.38	14.00	8.38	140	150
215	25.0	10.88	7.00	4.25	14.13	8.00	8.88	2.75	7.62	9.75	8.38	14.00	8.38	140	160
254	29.0	12.25	8.25	5.00	15.13	8.00	8.88	2.75	7.62	10.75	8.38	14.00	9.00	140	265

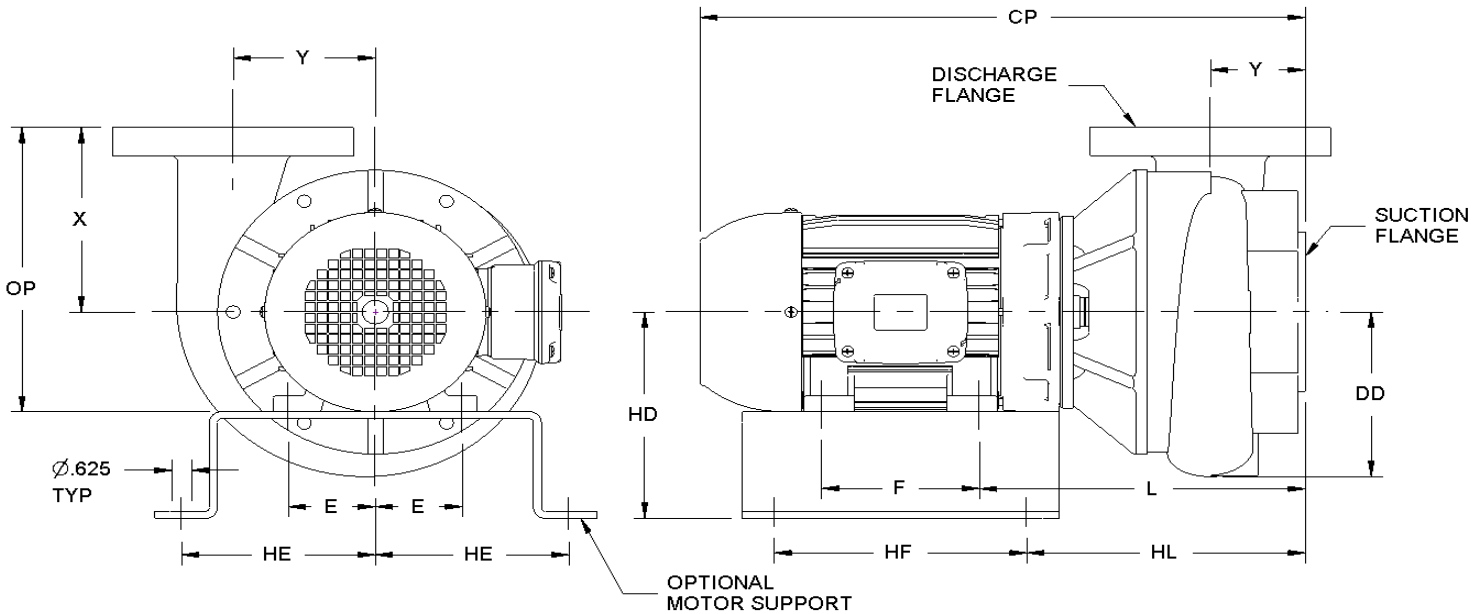
NOTES: - Not for construction purposes unless certified above  
 - All dimensions in inches  
 - some dimensions may vary +/- 0.25 inches  
 \* Approximate only



# SERIES PC - DIMENSIONAL OUTLINE

## Model - PCF-2.5HS

Customer - \_\_\_\_\_  
 Customer Ref. - \_\_\_\_\_ Our Ref. - \_\_\_\_\_  
 HP - \_\_\_\_\_ RPM - \_\_\_\_\_ Voltage - \_\_\_\_\_ Encl. - \_\_\_\_\_  
 Certified - \_\_\_\_\_ Date - \_\_\_\_\_



DISCHARGE FLANGE: 2-1/2" x 125lb

SUCTION FLANGE: 3" x 125lb

MOTOR FRAME	DIMENSIONS									OPTIONAL				WEIGHT (lbs)	
	CP*	L	F	E	OP	DD	X	Y	Z	HD	HE	HF	HL	PUMP	MOTOR
213	24.0	11.94	5.50	4.25	14.00	8.44	8.75	3.62	7.50	9.75	8.38	14.00	9.44	190	150
215	26.0	11.94	7.00	4.25	14.00	8.44	8.75	3.62	7.50	9.75	8.38	14.00	9.44	190	160
254	30.0	13.31	8.25	5.00	15.00	8.44	8.75	3.62	7.50	10.75	8.38	14.00	10.06	190	265
256	31.0	13.31	10.00	5.00	15.00	8.44	8.75	3.62	7.50	10.75	8.38	14.00	10.06	190	300

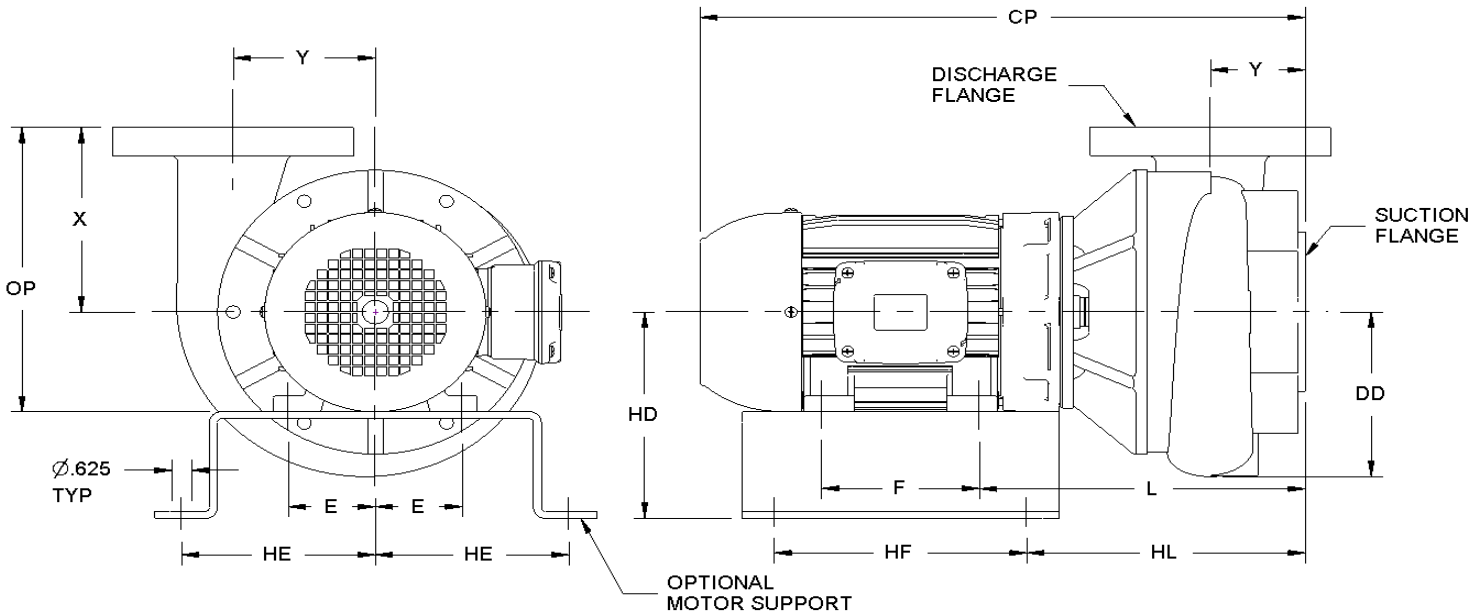
NOTES: - Not for construction purposes unless certified above  
 - All dimensions in inches  
 - some dimensions may vary +/- 0.25 inches  
 \* Approximate only



# SERIES PC - DIMENSIONAL OUTLINE

## Model - PCF-3HS

Customer - \_\_\_\_\_  
 Customer Ref. - \_\_\_\_\_ Our Ref. - \_\_\_\_\_  
 HP - \_\_\_\_\_ RPM - \_\_\_\_\_ Voltage - \_\_\_\_\_ Encl. - \_\_\_\_\_  
 Certified - \_\_\_\_\_ Date - \_\_\_\_\_



DISCHARGE FLANGE: 3" x 125lb

SUCTION FLANGE: 4" x 125lb

MOTOR FRAME	DIMENSIONS									OPTIONAL				WEIGHT (lbs)	
	CP*	L	F	E	OP	DD	X	Y	Z	HD	HE	HF	HL	PUMP	MOTOR
254	30.0	13.28	8.25	5.00	15.13	9.06	8.88	3.75	7.62	10.75	8.38	14.00	10.03	180	265
256	31.0	13.28	10.00	5.00	15.13	9.06	8.88	3.75	7.62	10.75	8.38	14.00	10.03	180	300
284	32.0	13.78	9.50	5.50	15.88	9.06	8.88	3.75	7.62	12.25	10.13	17.50	10.03	180	440
286	34.0	13.78	11.00	5.50	15.88	9.06	8.88	3.75	7.62	12.25	10.13	17.50	10.03	180	485
324	36.0	14.28	10.50	6.25	16.88	9.06	8.88	3.75	7.62	13.25	10.13	17.50	10.03	180	595

NOTES: - Not for construction purposes unless certified above  
 - All dimensions in inches  
 - some dimensions may vary +/- 0.25 inches  
 \* Approximate only

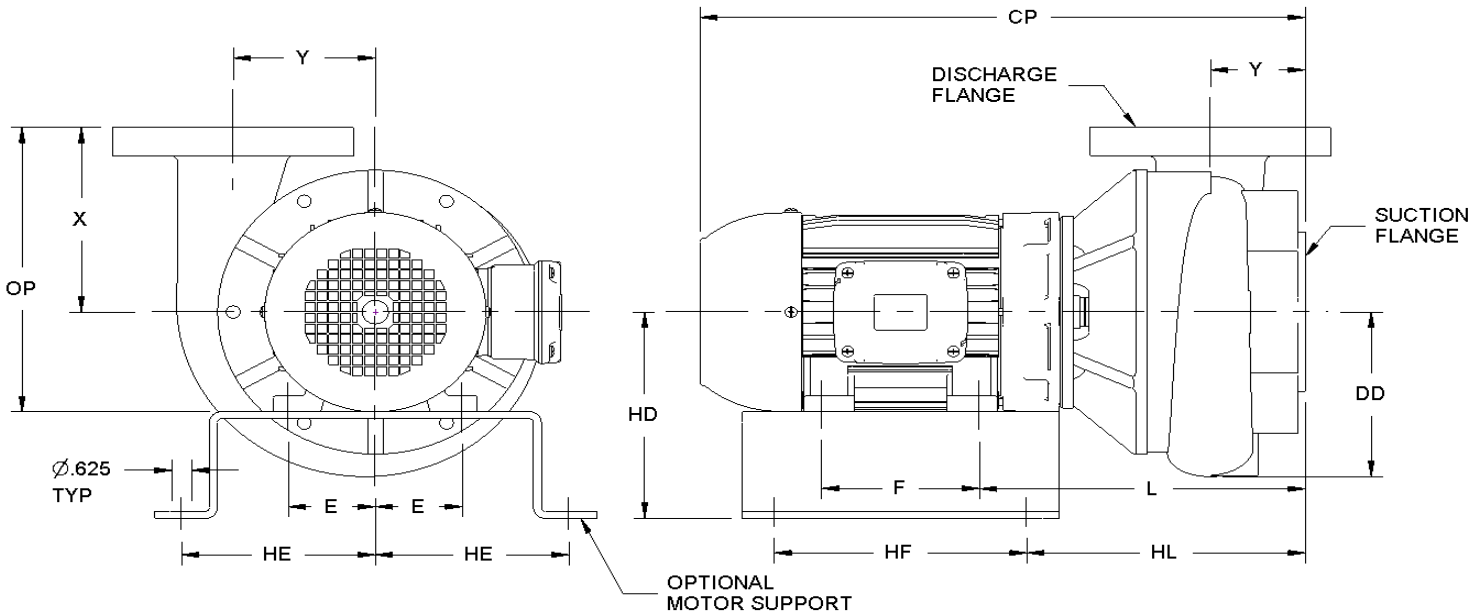




# SERIES PC - DIMENSIONAL OUTLINE

## Model - PCF-4HS

Customer - \_\_\_\_\_  
 Customer Ref. - \_\_\_\_\_ Our Ref. - \_\_\_\_\_  
 HP - \_\_\_\_\_ RPM - \_\_\_\_\_ Voltage - \_\_\_\_\_ Encl. - \_\_\_\_\_  
 Certified - \_\_\_\_\_ Date - \_\_\_\_\_



DISCHARGE FLANGE: 4" x 125lb

SUCTION FLANGE: 5" x 125lb

MOTOR FRAME	DIMENSIONS									OPTIONAL				WEIGHT (lbs)	
	CP*	L	F	E	OP	DD	X	Y	Z	HD	HE	HF	HL	PUMP	MOTOR
284	32.0	13.66	9.50	5.50	17.00	10.06	10.00	3.62	8.38	12.25	10.13	17.50	9.91	180	440
286	34.0	13.66	11.00	5.50	17.00	10.06	10.00	3.62	8.38	12.25	10.13	17.50	9.91	180	485
324	36.0	14.16	10.50	6.25	18.00	10.06	10.00	3.62	8.38	13.25	10.13	17.50	9.91	180	595
326	38.0	14.16	12.00	6.25	18.00	10.06	10.00	3.62	8.38	13.25	10.13	17.50	9.91	180	620

NOTES: - Not for construction purposes unless certified above  
 - All dimensions in inches  
 - some dimensions may vary +/- 0.25 inches  
 \* Approximate only